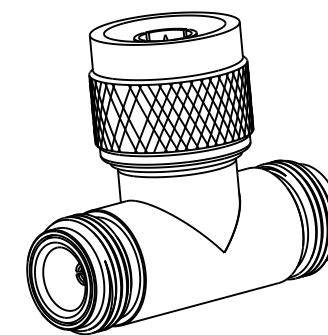


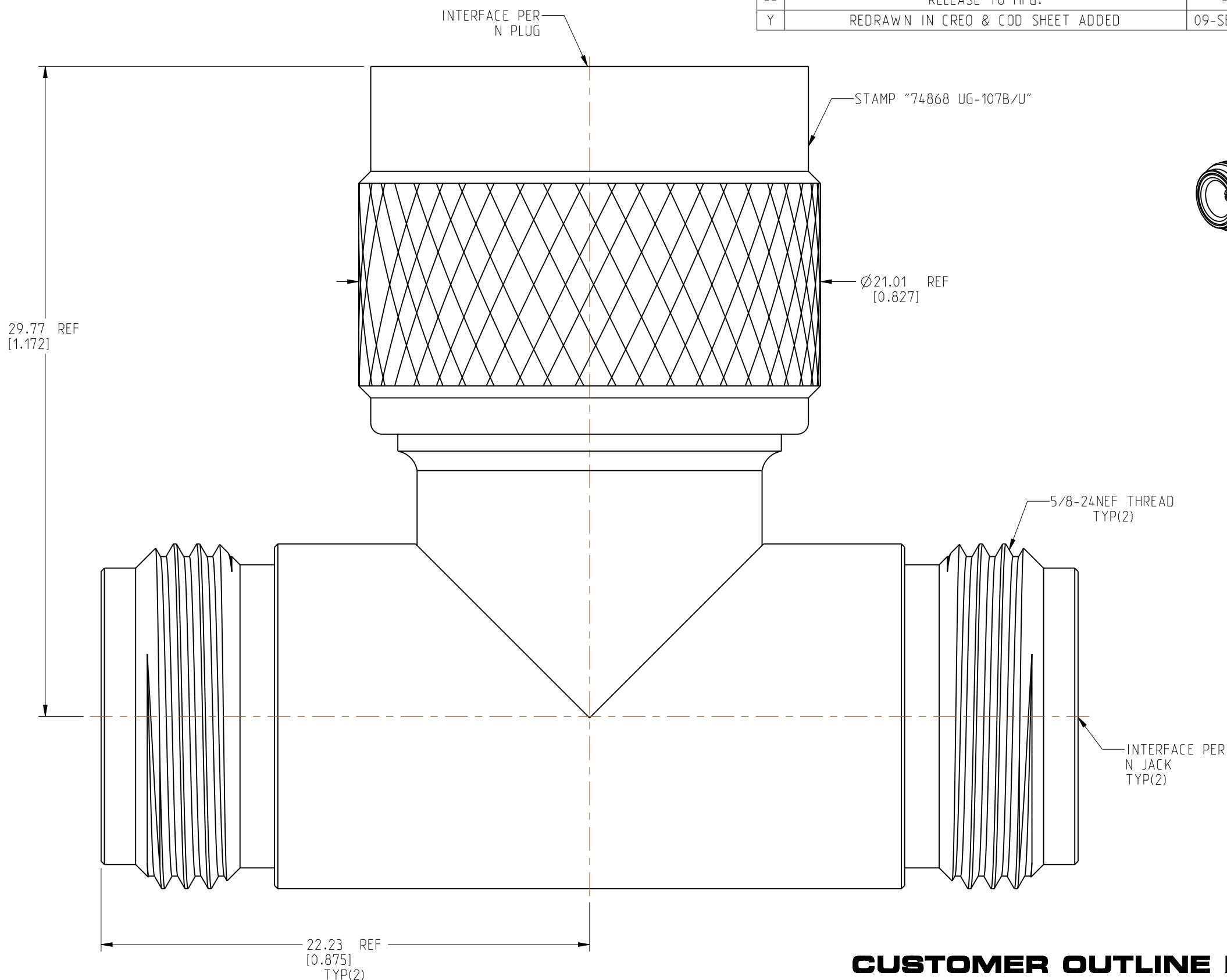
NOTES:

1. MATERIALS AND FINISHES:
 BODIES, CONTACT, OUTER CONTACT,
 COUPLING NUT & BUSHING - BRASS, SILVER PLATING
 CONTACT - BeCu, SILVER PLATING
 RETAINING RING - PHOSPHOR BRONZE, NATURAL
 INSULATORS - PTFE, NATURAL
 GASKET - SILICONE RUBBER, RED
2. ELECTRICAL:
 A. IMPEDANCE: 50 OHM
 B. FREQUENCY: DC - 11 GHz
3. MECHANICAL:
 A. DURABILITY: 500 CYCLES MIN.
 B. TEMPERATURE RANGE: -65°C TO +165°C
4. PACKAGING:
 A. QUANTITY: SINGLE PACK
 B. MARKING: PACKAGING TO BE MARKED
 "AMPHENOL RF, 82-102 AND DATE CODE"

REVISIONS				
REV	DESCRIPTION	DATE	ECN	APPR
--	RELEASE TO MFG.	--	--	--
Y	REDRAWN IN CREO & COD SHEET ADDED	09-SEP-20	15318	KR



SCALE 1.000



CUSTOMER OUTLINE DRAWING
 ALL OTHER SHEETS ARE FOR INTERNAL USE ONLY

NOTICE: These drawings, specifications, or other data (1) are, and remain the property of Amphenol corp. (2) must be returned upon request; and (3) are confidential and not to be disclosed to any person other than those to whom they are given by Amphenol Corp. The furnishing of these drawings, specifications, or other data by Amphenol Corp., or to any other person to anyone for any purpose is not to be regarded by implication or otherwise in any manner licensing, granting rights to permitting such holder or any other person to manufacture, use or sell any product, process or design, patented or otherwise, that may in any way be related to or disclosed by said drawings, specifications, or other data.

UNLESS OTHERWISE SPECIFIED
 DIMENSIONS ARE METRIC (INCHES) AND TOLERANCES ARE:
 <0.5mm = ±0.05mm [$<0.020 = \pm 0.002$]
 >0.5 - 6mm = ±0.1mm [$>0.020 - 0.236 = \pm 0.004$]
 >6.00 - 30mm = ±0.2mm [$>0.236 - 1.181 = \pm 0.008$]
 >30.00 - 120mm = ±0.3mm [$>1.181 - 4.725 = \pm 0.012$]

MATERIAL: SEE NOTES
 ENGINEER: O.BARTHELMES
 DATE: 21-MAY-20

TITLE: N TEE ADAPTOR UG-107B/U
 SHEET NO. 2 OF 2
 SCALE: 5.0:1.0

SIZE: B	DRAWING NO. 82-102	REV: Y
	ITEM NO. 82-102	
	PART NO. 82-102	

THIRD ANGLE PROJ. REFERENCE EAR# REB 49080 ANGLES = ±1°