

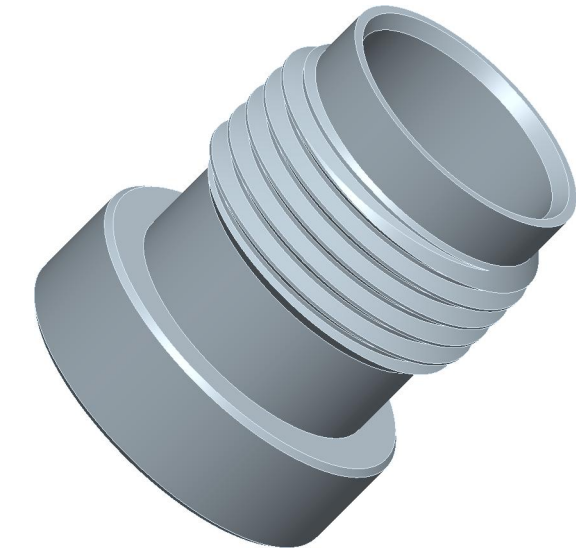
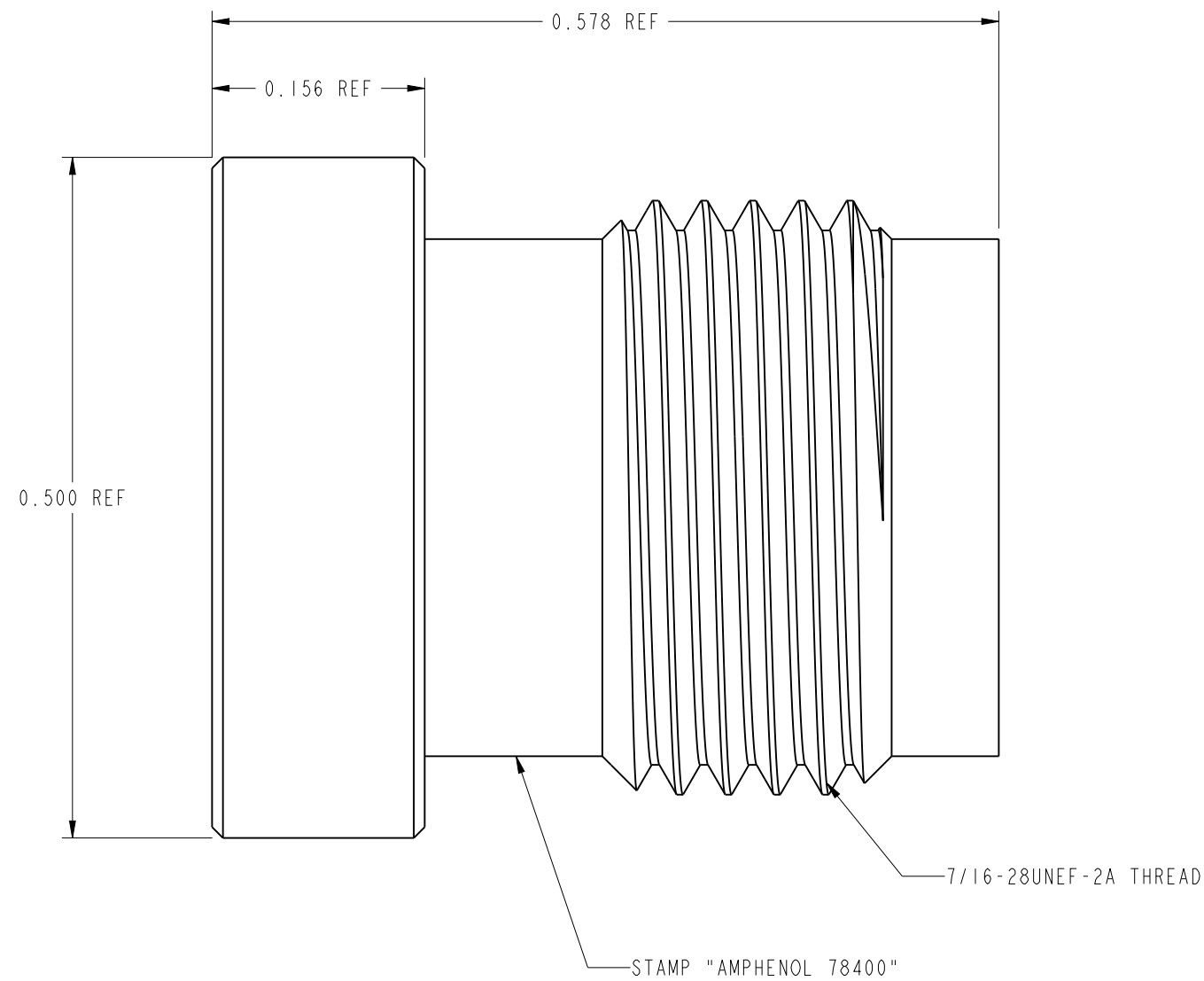
NOTES:

1. MATERIALS AND FINISHES:
BODY - BRASS, NICKEL PLATING
2. PACKAGING:
A. QUANTITY: SINGLE PACK
B. MARKING: BAG TO BE MARKED
"AMPHENOL RF, 78400, AND DATE CODE"

THIRD ANGLE PROJ.

REVISIONS

REV	DESCRIPTION	DATE	ECO	APPR
--	RELEASE TO MFG	--	--	--
F	REDRAWN IN PRO-E & COD SHEET ADDED	5/15/15	50577	NR



SCALE 4.000

CUSTOMER OUTLINE DRAWING

ALL OTHER SHEETS ARE FOR INTERNAL USE ONLY

<p>UNLESS OTHERWISE SPECIFIED, DIMENSIONS ARE IN INCHES AND TOLERANCES ARE: 2 PLACE DECIMAL 3 PLACE DECIMAL ANGLES ±.015 (0,381 mm) ±.005 (0,127 mm) ± 1°</p> <p>NOTICE - These drawings, specifications, or other data (1) are, and remain the property of Amphenol corp. (2) must be returned upon request; and (3) are confidential and not to be disclosed to any person other than those to whom they are given by Amphenol Corp. the furnishing of these drawings, specifications, or other data by Amphenol Corp., or to any other person to anyone for any purpose is not to be regarded by implication or otherwise in any manner licensing, granting rights to permitting such holder or any other person to manufacture, use or sell any product, process or design, patented or otherwise, that may in any way be related to or disclosed by said drawings, specifications, or other data.</p>	MATERIAL	DRAWN	DATE	TITLE		Amphenol RF www.amphenolrf.com	
	SEE NOTES	C. McGRATH	5/1/15				
	REFERENCE	ENGINEER	DATE	TNC, PLUG		DRAWING NO. 78400	
	EAR #	K. CAPOZZI	5/1/15				
CONFIGURATION LEVEL: In Work	APPROVED	DATE	SCALE: 12.0:1.0		SHEET 2 OF 2		
FINISH	K. CAPOZZI	5/15/15	DWG SIZE		REV		
			B		F		
					PART NO. 78400		