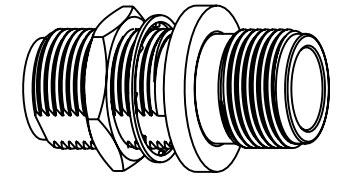


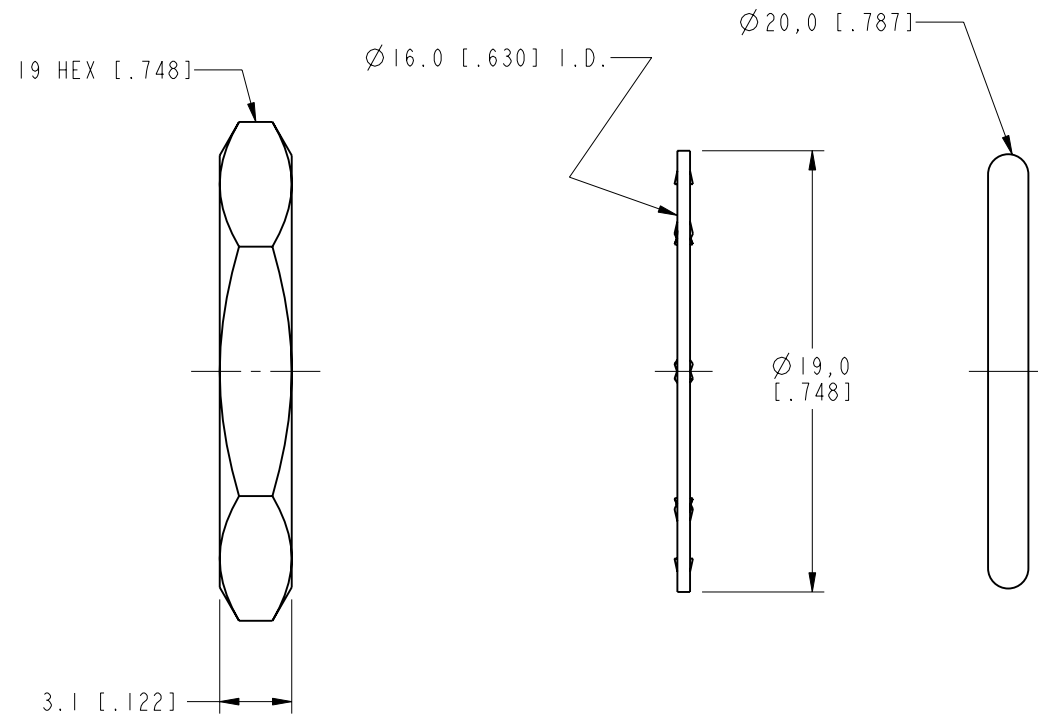
NOTES:

1. MATERIALS OF CONSTRUCTION:
 BODY - STAINLESS STEEL, PASSIVATED
 HEX NUT, - BRASS (ASTM-B16 H02, C36000), NICKEL PLATED (.000080 MIN)
 CONTACT PIN - PHOSPHOR BRONZE, GOLD PLATED (.000050 MIN)
 INSULATOR - PTFE PER ASTM D 1710 OR EQUIV
 GASKET - SILICONE RUBBER, COLOR RED
 LOCKWASHER - BRASS (QQ-B-613), NICKEL PLATED (.000080 MIN)
2. ELECTRICAL:
 A. IMPEDANCE: 50 OHM
 B. FREQUENCY RANGE: DC - 11 GHz
 C. DIELECTRIC WITHSTANDING VOLTAGE: 2500 VRMS, MIN.
3. MECHANICAL:
 A. DURABILITY: 1000 CYCLES MIN.
 B. TEMPERATURE RANGE: -65° C TO +165° C
4. PACKAGING:
 A. QUANTITY: SINGLE PACK
 B. MARKING: BAG TO BE MARKED
 "AMPHENOL, 82-6348, AND DATE CODE"

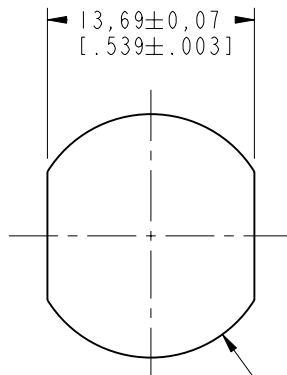
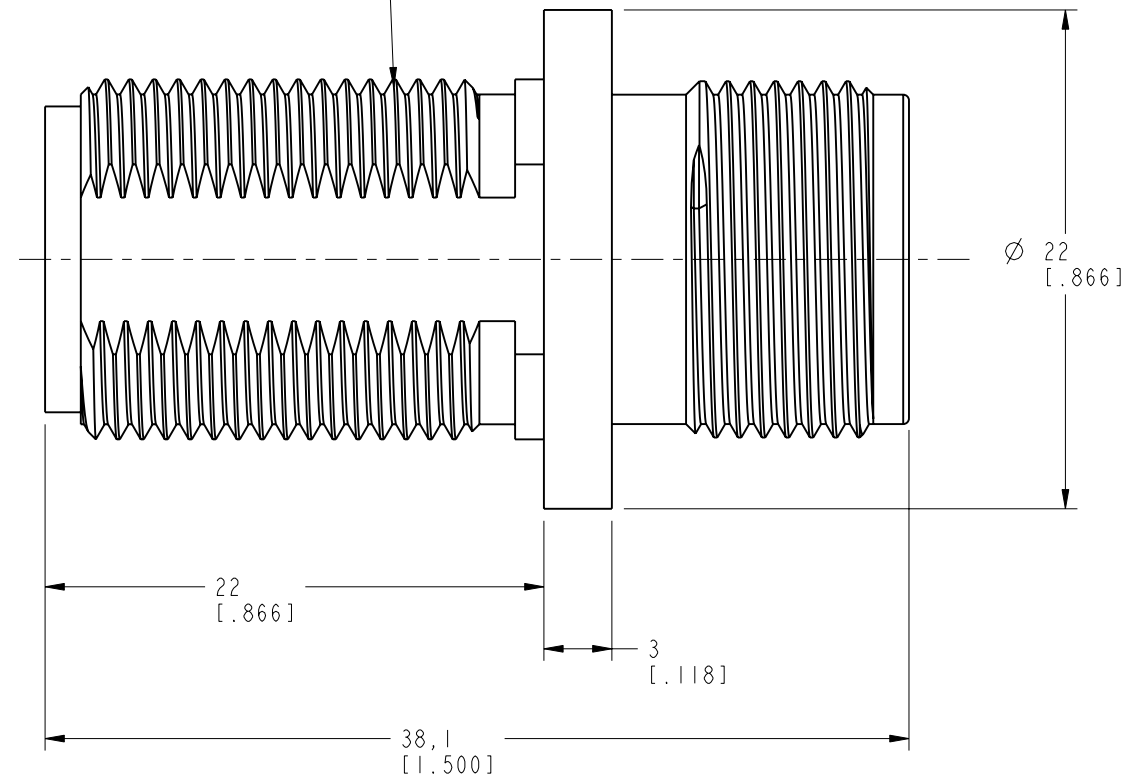
82-6348		REVISIONS			
DRAWING NO.	REV	DESCRIPTION	DATE	ECO	APPR
THIRD ANGLE PROJ.	A	RELEASE TO MFG.	1/21/05	45348	CPM



SCALE 1.000



.625-24UNEF-2A THREAD REF.
TYP. BOTH ENDS



RECOMMENDED
MOUNTING HOLE
SCALE 2.000

CUSTOMER OUTLINE DRAWING

ALL OTHER SHEETS ARE FOR INTERNAL USE ONLY

UNLESS OTHERWISE SPECIFIED, DIMENSIONS ARE IN MM (INCHES) AND TOLERANCES ARE: 0.5 - 6mm ±0.2mm 6 - 30mm ±0.4mm 30 - 120mm ±0.6mm	MATERIAL	DRAWN C. McGRATH	DATE 10/29/04	TITLE 'N' (F) TO (F) BULKHEAD ADAPTOR	Amphenol Amphenol Corporation Communication and Network Products Division Danbury, CT U.S.A. 06810
	REFERENCE EAR 1566 GEN# ASSYF41_N	ENGINEER O. BARTHELMES	DATE 10/29/04		
NOTICE - These drawings, specifications, or other data (1) are, and remain the property of Amphenol Corp. (2) must be returned upon request; and (3) are confidential and not to be disclosed to any person other than those to whom they are given by Amphenol Corp. The furnishing of these drawings, specifications, or other data by Amphenol Corp., or to any other person to anyone for any purpose is not to be regarded by implication or otherwise in any manner licensing, granting rights or permitting such holder or any other person to manufacture, use or sell any product, process or design, patented or otherwise, that may in any way be related to or disclosed by said drawings, specifications, or other data.		APPROVED O. BARTHELMES	DATE 1/21/05	SCALE: 3.0:1	SHEET 2 OF 2
		CAD FILE I:\N\82-6348	CODE ID 74868	DWG SIZE B	DRAWING NO. 82-6348