

NOTES:

1. MATERIALS AND FINISHES:

- BODY - BRASS, NICKEL PLATING
- CONTACT - PHOSPHOR BRONZE, GOLD PLATING
- INSULATOR - PTFE, NATURAL
- CAP - PHOSPHOR BRONZE, NICKEL PLATING
- COUPLING NUT - BRASS, NICKEL PLATING

2. ELECTRICAL:

- A. IMPEDANCE: 50 OHM
- B. FREQUENCY RANGE: DC-18 GHz
- C. VSWR(RETURN LOSS): 1.15 (-23 dB) MAX. DC-8 GHz  
1.20 (-20 dB) MAX. 8-18 GHz
- D. AVG. POWER: 2 WATTS (POWER DERATED LINEARLY FROM 20°C TO 1 WATT AT 125°C)
- E. PEAK POWER: 200 WATTS (PEAK POWER FOR 1% DUTY CYCLE OF 0.0005 MAX. PULSE DURATION OF 5 MICROSECONDS)

3. MECHANICAL:

- A. DURABILITY: 500 CYCLES MIN.
- B. TEMPERATURE RANGE: -65° C TO 165° C

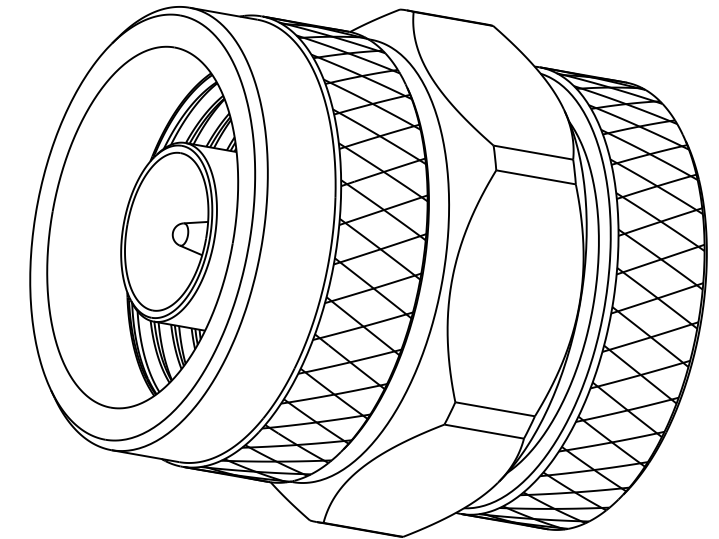
4. PACKAGING:

- A. QUANTITY: SINGLE PACK
- B. MARKING: PACKAGING TO BE MARKED "AMPHENOL RF, 82-6694 & DATE CODE"

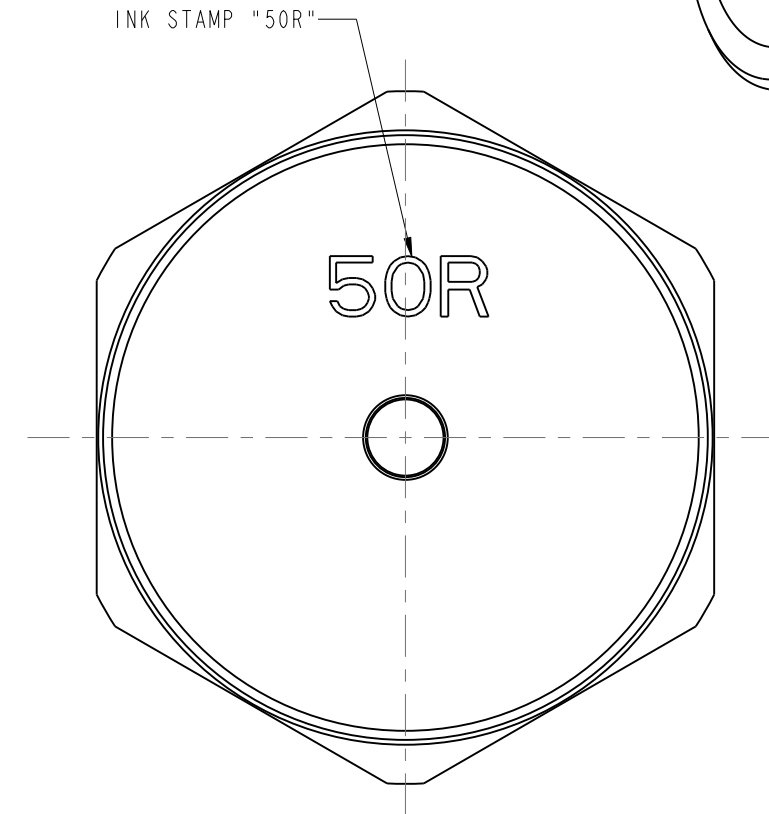
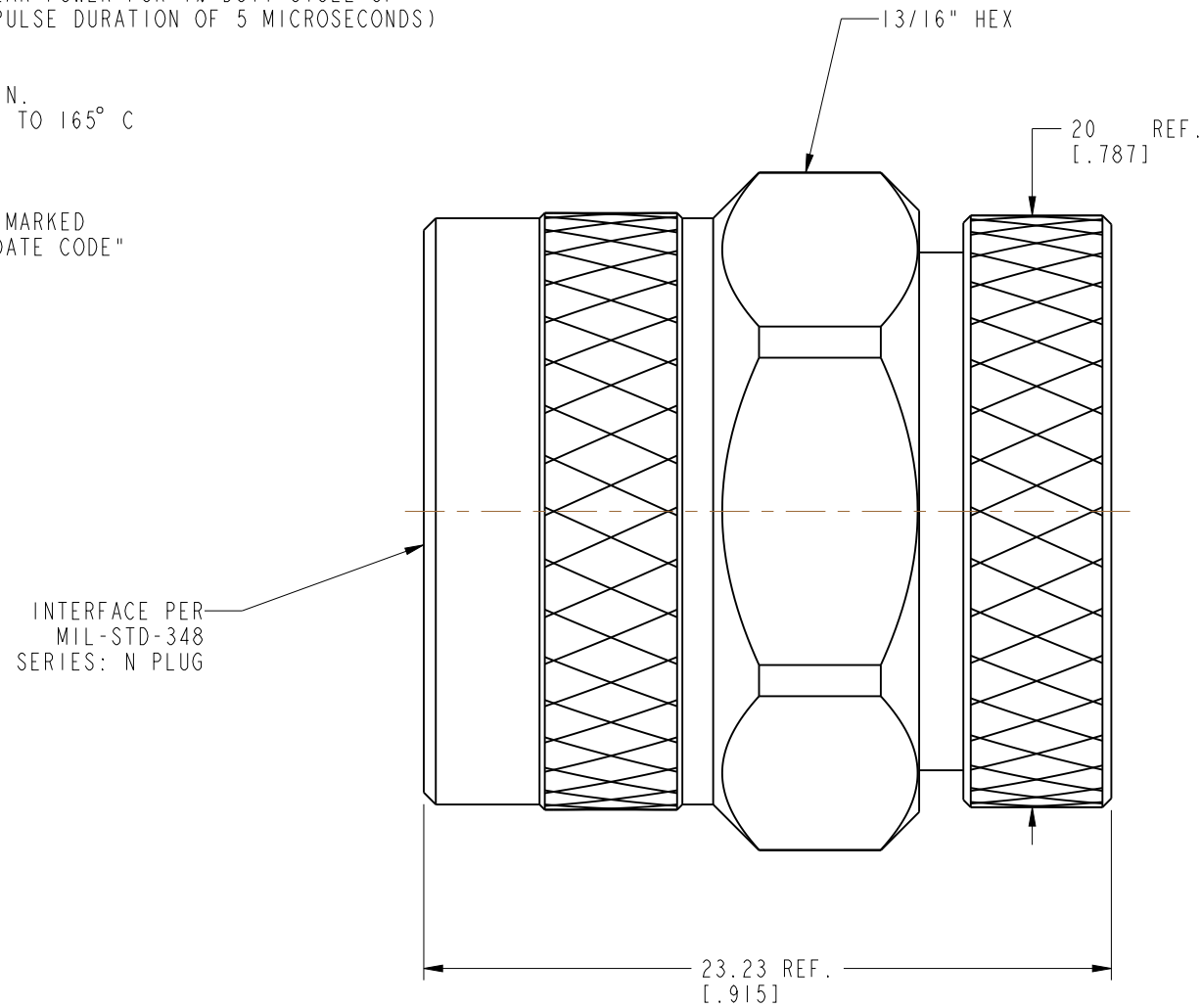
THIRD ANGLE PROJ.

REVISIONS

REV	DESCRIPTION	DATE	ECN	APPR
A	RELEASE TO MANUFACTURING	06-May-19	11422	CJV



SCALE 3.000



**CUSTOMER OUTLINE DRAWING**

ALL OTHER SHEETS ARE FOR INTERNAL USE ONLY

<p>UNLESS OTHERWISE SPECIFIED, DIMENSIONS ARE IN METRIC AND TOLERANCES ARE:</p> <table border="1"> <tr> <td>&lt;0.5mm</td> <td>0.5 - 6mm</td> <td>6 - 30mm</td> <td>30 - 120mm</td> <td>ANGLES</td> </tr> <tr> <td>± 0.05mm</td> <td>±0.1mm</td> <td>±0.2mm</td> <td>± 0.3mm</td> <td>±1°</td> </tr> </table>	<0.5mm	0.5 - 6mm	6 - 30mm	30 - 120mm	ANGLES	± 0.05mm	±0.1mm	±0.2mm	± 0.3mm	±1°	<p>MATERIAL</p> <p>SEE NOTES</p>	<p>DRAWN</p> <p>C. VIGORITO</p> <p>DATE</p> <p>29-Jan-19</p>	<p>TITLE</p> <p>TERMINATION PLUG</p> <p>18 GHz TYPE N</p> <p>2 WATTS</p>	<p>Amphenol RF</p> <p>www.amphenolrf.com</p>
	<0.5mm	0.5 - 6mm	6 - 30mm	30 - 120mm	ANGLES									
± 0.05mm	±0.1mm	±0.2mm	± 0.3mm	±1°										
<p>REFERENCE</p> <p>EAR# 8746</p> <p>REF: ---</p> <p>CONFIGURATION LEVEL: In Work</p> <p>FINISH</p>	<p>ENGINEER</p> <p>C. VIGORITO</p> <p>DATE</p> <p>29-Jan-19</p> <p>APPROVED</p> <p>K. CAPOZZI</p> <p>DATE</p> <p>06-May-19</p> <p>CAD FILE</p>	<p>SCALE: 4.0:1.0</p> <p>SHEET 2 OF 2</p> <p>DWG SIZE</p> <p>B</p> <p>REV</p> <p>A</p>	<p>DRAWING NO. 82-6694</p> <p>ITEM NO. 82-6694</p> <p>PART NO. 82-6694</p>											

NOTICE - These drawings, specifications, or other data (1) are, and remain the property of Amphenol corp. (2) must be returned upon request; and (3) are confidential and not to be disclosed to any person other than those to whom they are given by Amphenol Corp. the furnishing of these drawings, specifications, or other data by Amphenol Corp., or to any other person to anyone for any purpose is not to be regarded by implication or otherwise in any manner licensing, granting rights to permitting such holder or any other person to manufacture, use or sell any product, process or design, patented or otherwise, that may in any way be related to or disclosed by said drawings, specifications, or other data.