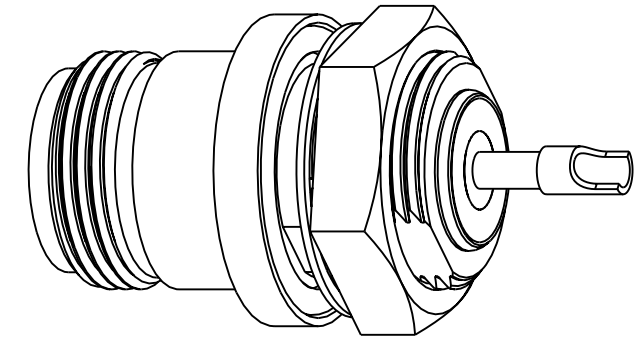
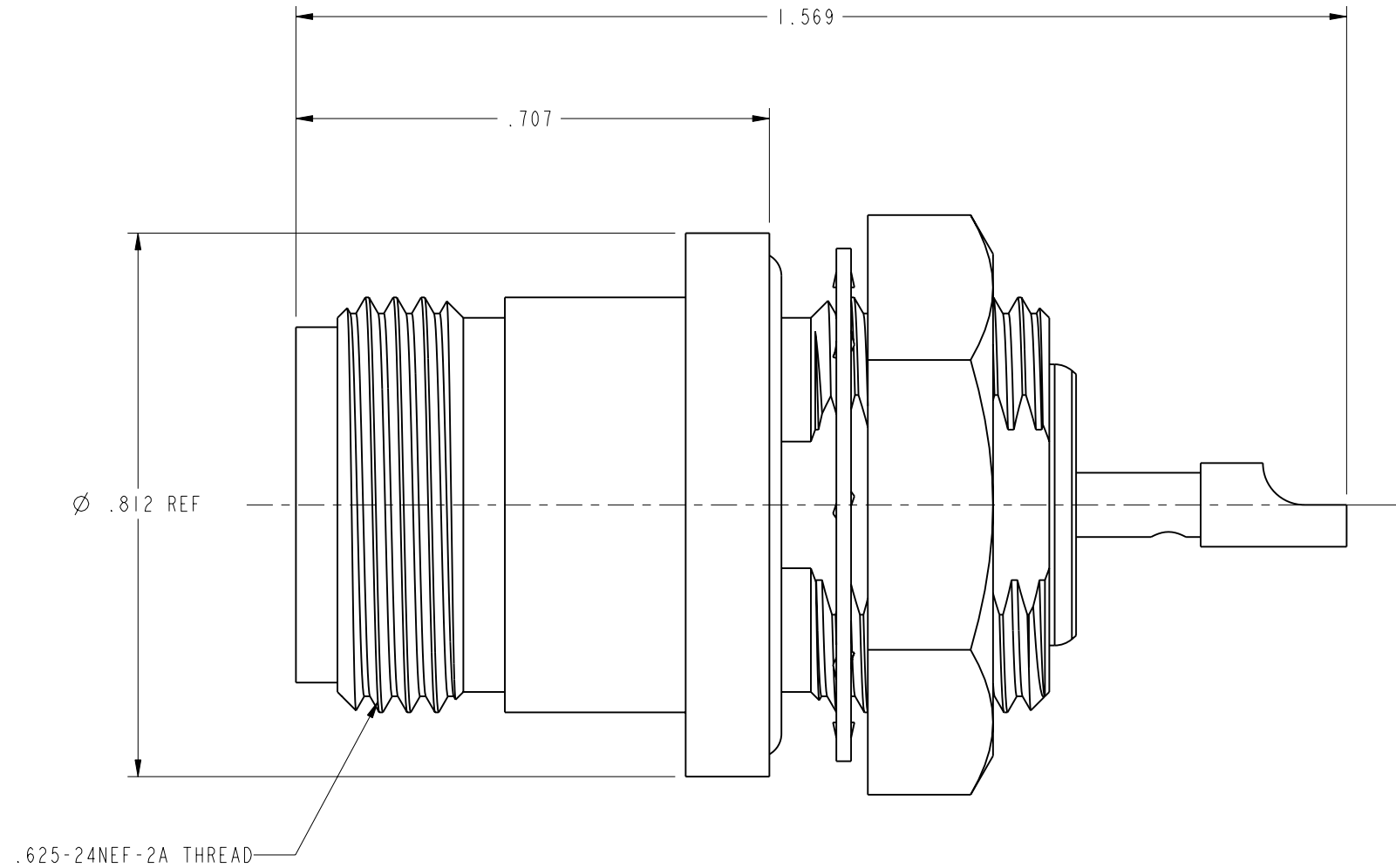


NOTES:

- I. MATERIALS OF CONSTRUCTION:
 BODY & NUT = BRASS, NICKEL PLATED
 CONTACT, FEMALE = BeCu, SILVER PLATED
 CONTACT, FEMALE = BRASS, SILVER PLATED
 LOCKWASHER = PHOSPHOR BRONZE, NICKEL PLATED
 GASKET = SYNTHETIC RUBBER
 GLASS TERMINAL = ELECTRICAL IND, CC-60W-SS, TIN PLATE

82-811		REVISIONS			
DRAWING NO.	REV	DESCRIPTION	DATE	ECO	APPR
THIRD ANGLE PROJ.	--	RELEASE TO MFG.			
	S	SEE SHEET 1	10/13/00	43553	CPM
	T	SEE SHEET 1	8/1/05	45651	CPM



SCALE 2.000

CUSTOMER OUTLINE DRAWING
 ALL OTHER SHEETS ARE FOR INTERNAL USE ONLY

UNLESS OTHERWISE SPECIFIED, DIMENSIONS ARE IN INCHES AND TOLERANCES ARE: 2 PLACE DECIMAL ±.015 (0,381 mm) 3 PLACE DECIMAL ±.005 (0,127 mm) ANGLES ± 1°	MATERIAL	DRAWN C. McGRATH	DATE 06-Oct-00	TITLE 'N' FRONT MOUNT BULKHEAD PRESSURIZED	Amphenol RF Danbury, CT, USA Tainan, Taiwan Shenzhen, China www.amphenolrf.com
	REFERENCE GEN# ASSYF50_N	ENGINEER O. BARTHELMES	DATE 06-Oct-00		
NOTICE - These drawings, specifications, or other data (1) are, and remain the property of Amphenol Corp. (2) must be returned upon request; and (3) are confidential and not to be disclosed to any person other than those to whom they are given by Amphenol Corp. The furnishing of these drawings, specifications, or other data by Amphenol Corp., or to any other person to anyone for any purpose is not to be regarded by implication or otherwise in any manner licensing, granting rights or permitting such holder or any other person to manufacture, use or sell any product, process or design, patented or otherwise, that may in any way be related to or disclosed by said drawings, specifications, or other data.		APPROVED O. BARTHELMES	DATE 13-Oct-00		SCALE: 4.0:1
		CAD FILE I:\N\82-811	CODE ID 74868	DWG SIZE B	DRAWING NO. 82-811
					REV T