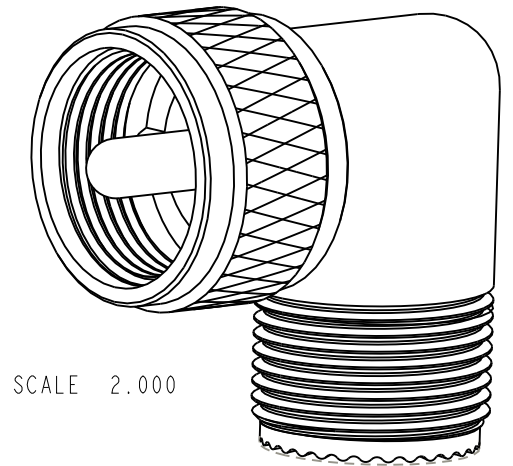
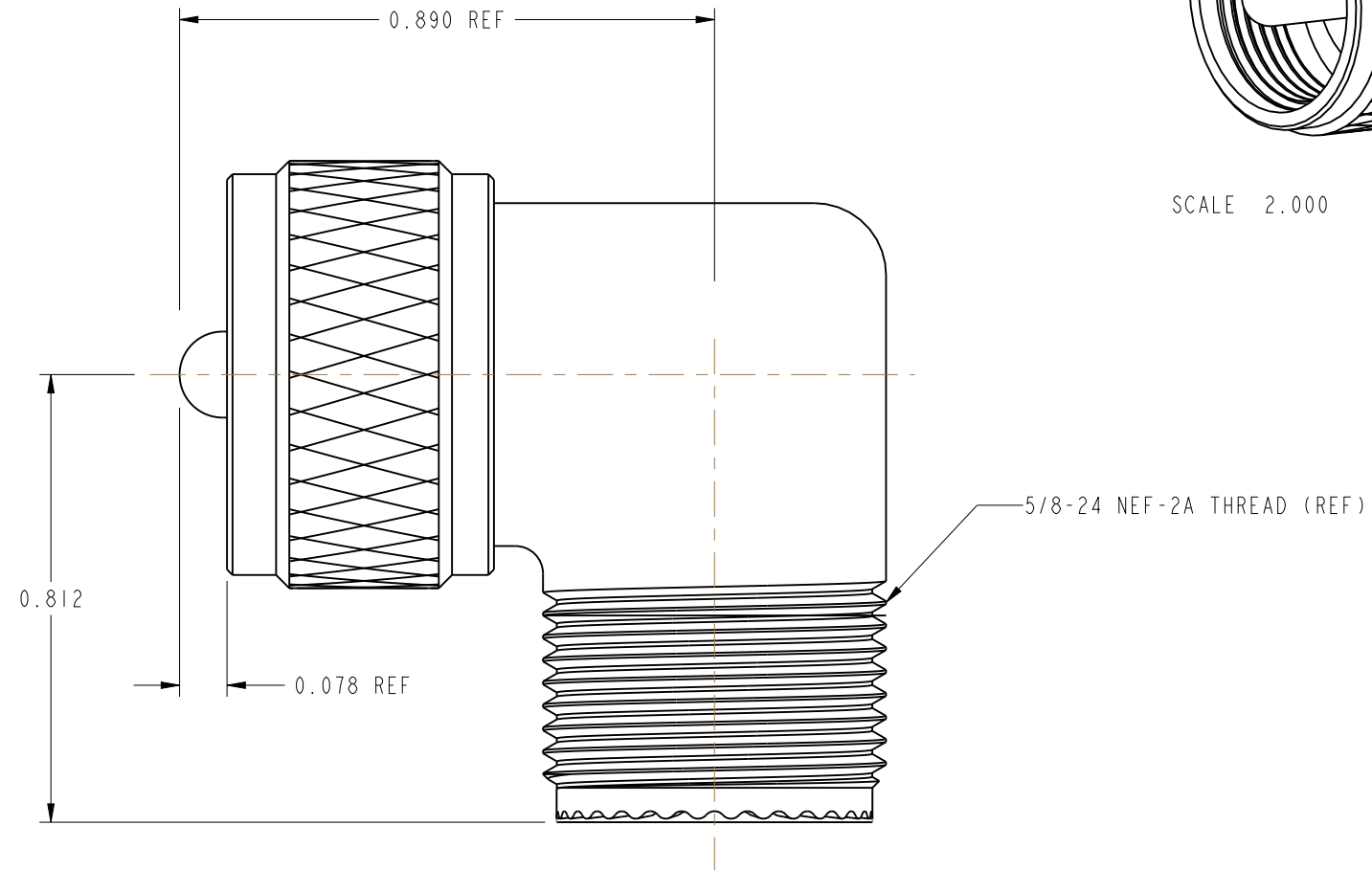
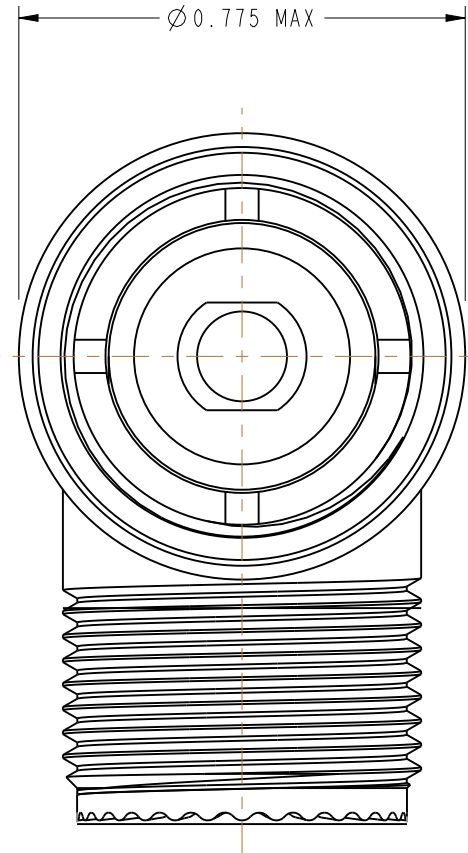


NOTES:

1. MATERIALS AND FINISHES:
 BODY - ZAMAC, NICKEL PLATING
 CONTACT, COUPLING NUT - BRASS, NICKEL PLATING
 INSULATOR - PTFE
2. PACKAGING:
 A. QUANTITY: SINGLE PACK
 B. MARKING: BAG TO BE MARKED
 "AMPHENOL RF, 83-IAP, AND DATE CODE"

83-IAP		REVISIONS			
DRAWING NO.	REV	DESCRIPTION	DATE	ECO	APPR
THIRD ANGLE PROJ.	--	RELEASE TO MFG.	--	--	--
	Y	REDRAWN IN PROE, ADD COD	7/14/11	48601	AAP



CUSTOMER OUTLINE DRAWING
 ALL OTHER SHEETS ARE FOR INTERNAL USE ONLY

UNLESS OTHERWISE SPECIFIED, DIMENSIONS ARE IN INCHES AND TOLERANCES ARE: 2 PLACE DECIMAL ±.015 (0,381 mm) 3 PLACE DECIMAL ±.005 (0,127 mm) ANGLES ± 1°	MATERIAL	DRAWN A ARUN PRABU ENGINEER	DATE 03-Jul-09	TITLE UHF PLUG RIGHT ANGLE ADAPTER NICKEL PLATED	Amphenol RF Danbury, CT, USA Tainan, Taiwan Shenzhen, China www.amphenolrf.com	
	REFERENCE	APPROVED K. CAPOZZI	DATE 6/30/11			
NOTICE - These drawings, specifications, or other data (1) are, and remain the property of Amphenol Corp. (2) must be returned upon request; and (3) are confidential and not to be disclosed to any person other than those to whom they are given by Amphenol Corp. The furnishing of these drawings, specifications, or other data by Amphenol Corp., or to any other person to anyone for any purpose is not to be regarded by implication or otherwise in any manner licensing, granting rights or permitting such holder or any other person to manufacture, use or sell any product, process or design, patented or otherwise, that may in any way be related to or disclosed by said drawings, specifications, or other data.		CAD FILE Root Folder/UHF/83-IAP	CODE ID 74868	DWG SIZE B	DRAWING NO. 83-IAP	REV Y
					SCALE: 3.0:1	SHEET 2 OF 2