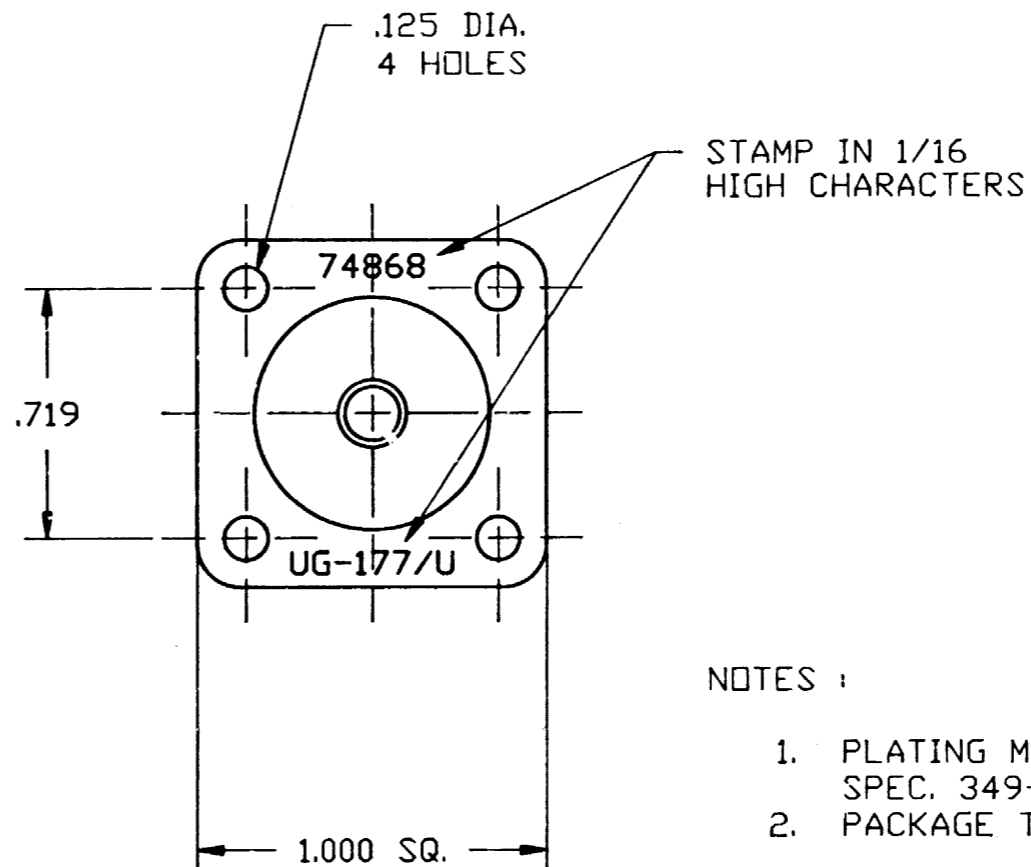
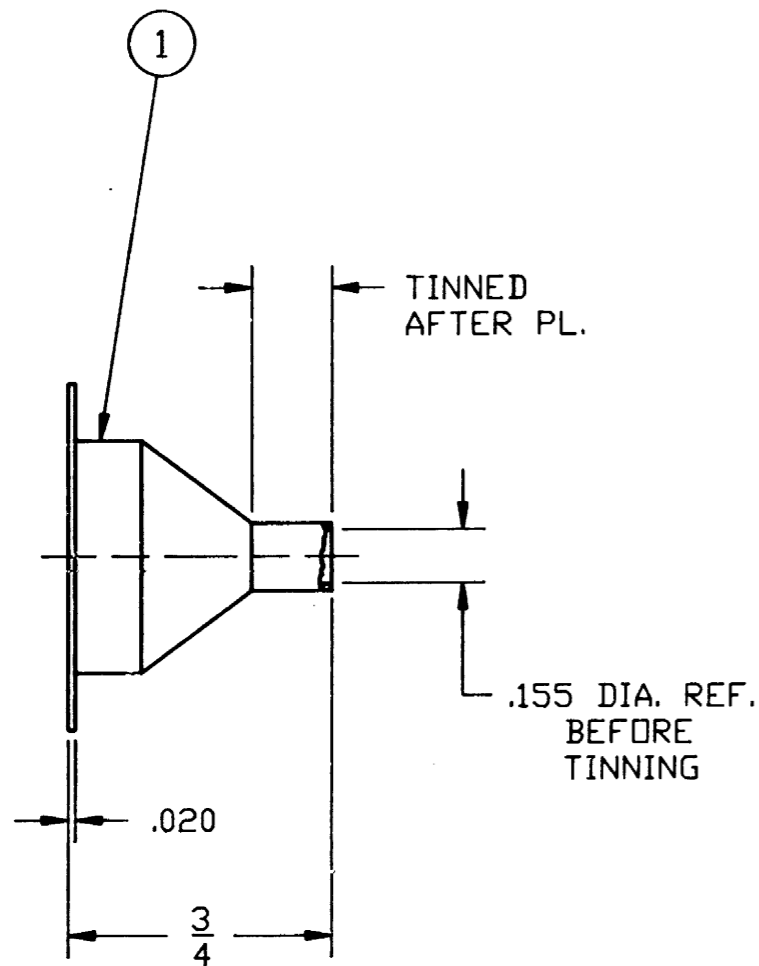


DO NOT SCALE THIS DRAWING

83-765

REVISIONS

DRAWING NUMBER	SYM	DESCRIPTION	DATE	E C O NO.	APPR.
OFFICIAL ENG. RELEASE TO MFG					
V		REDRAWN - NO CHANGES.	3/21/89	36197	DL
W		CHANGED PLATING NOTE 1; ADDED PLATE LETTER AND ADDED NOTE 2.		39156	J.R.



NOTES :

1. PLATING MUST CONFORM TO AMPHENOL SPEC. 349-50560, ASTROPLATE (REF).
2. PACKAGE THIS IN BAG 999-226.

H:\DEPT611\HARD\BODY\083\765.DWG

PART NO	QUAN	UOM	DESCRIPTION	CODE	FINISH
83-663-3H	1	1	HOOD BODY		SEE NOTE 1

LIST OF MATERIAL

REMOVE ALL BURRS, BREAK CORNERS AND SHARP EDGES .005 MAXIMUM UNLESS OTHERWISE SPECIFIED.

NOTICE - These drawings, specifications, or other data (1) are, and remain the property of Amphenol Corp. (2) must be returned upon request, and (3) are confidential and are not to be disclosed to any person other than those to whom they are given by Amphenol Corp. The furnishing of these drawings, specifications, or other data by Amphenol Corp., or by any other person to anyone for any purpose is not to be regarded by implication or otherwise as in any manner licensing, granting rights or permitting such holder or any other person to manufacture, use or sell any product, process or design, patented or otherwise, that may in any way be related to or disclosed by said drawings, specifications or other data.

NEXT ASSY	USED ON	UNLESS OTHERWISE SPECIFIED DIMENSIONS ARE IN INCHES. TOLERANCES NOT OTHERWISE SPECIFIED ARE	DRAWN BY	DATE	TITLE	Amphenol Corporation RF/Microwave Operations Danbury, Conn. U.S.A.		
		2 PLACE DECIMAL ± .015 (0.381 mm)	RG A	3-18-65	UG-177/U HOOD FOR RG-29, -58C, -122, & -141/U CABLES			
		3 PLACE DECIMAL ± .005 (0.127 mm)	CHECKED	DATE				
		ANGLES ± 1°	ENGINEER	DATE				
		REFERENCE DRAWING NO	R. AVERY	3-25-65				
		EAR #70769-0	QUALITY ASSURANCE	DATE		SCALE 2:1		
		FINISH	MFG ENG	DATE	CODE IDENTIFICATION	DRAWING SIZE	DRAWING NO	ISSUE
		SEE BILL OF MAT'L			74868	B	83-765	W