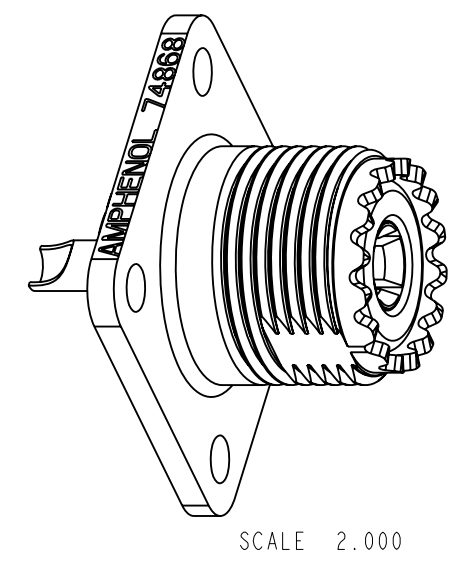
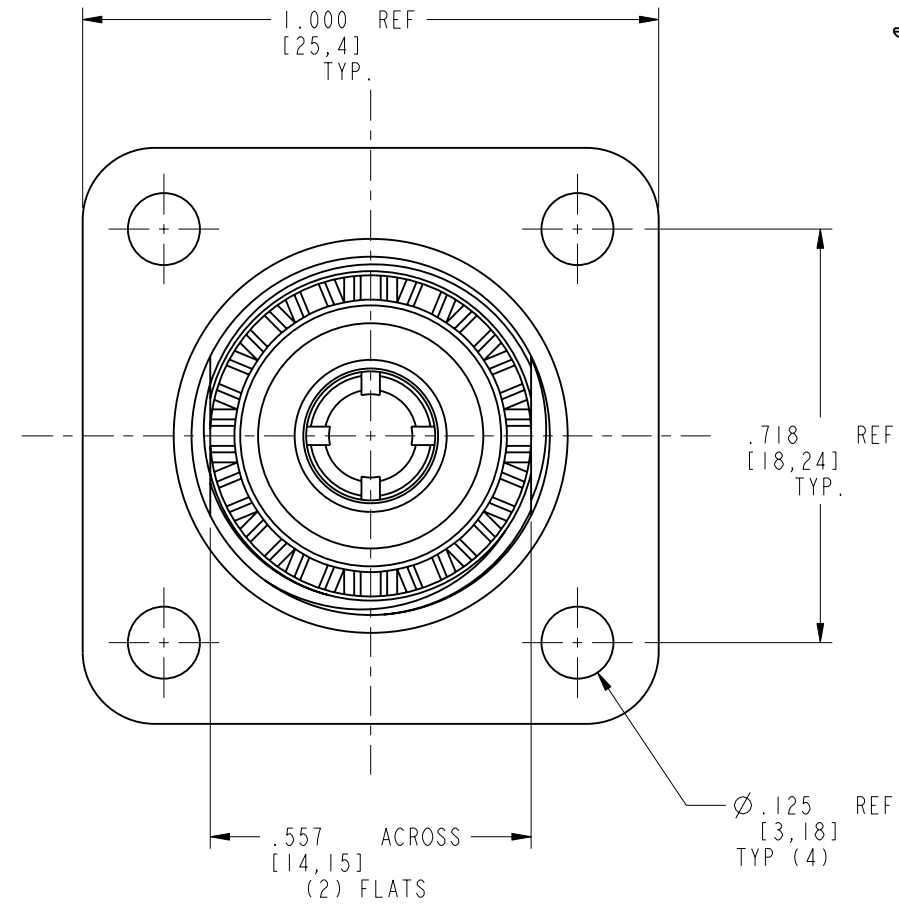
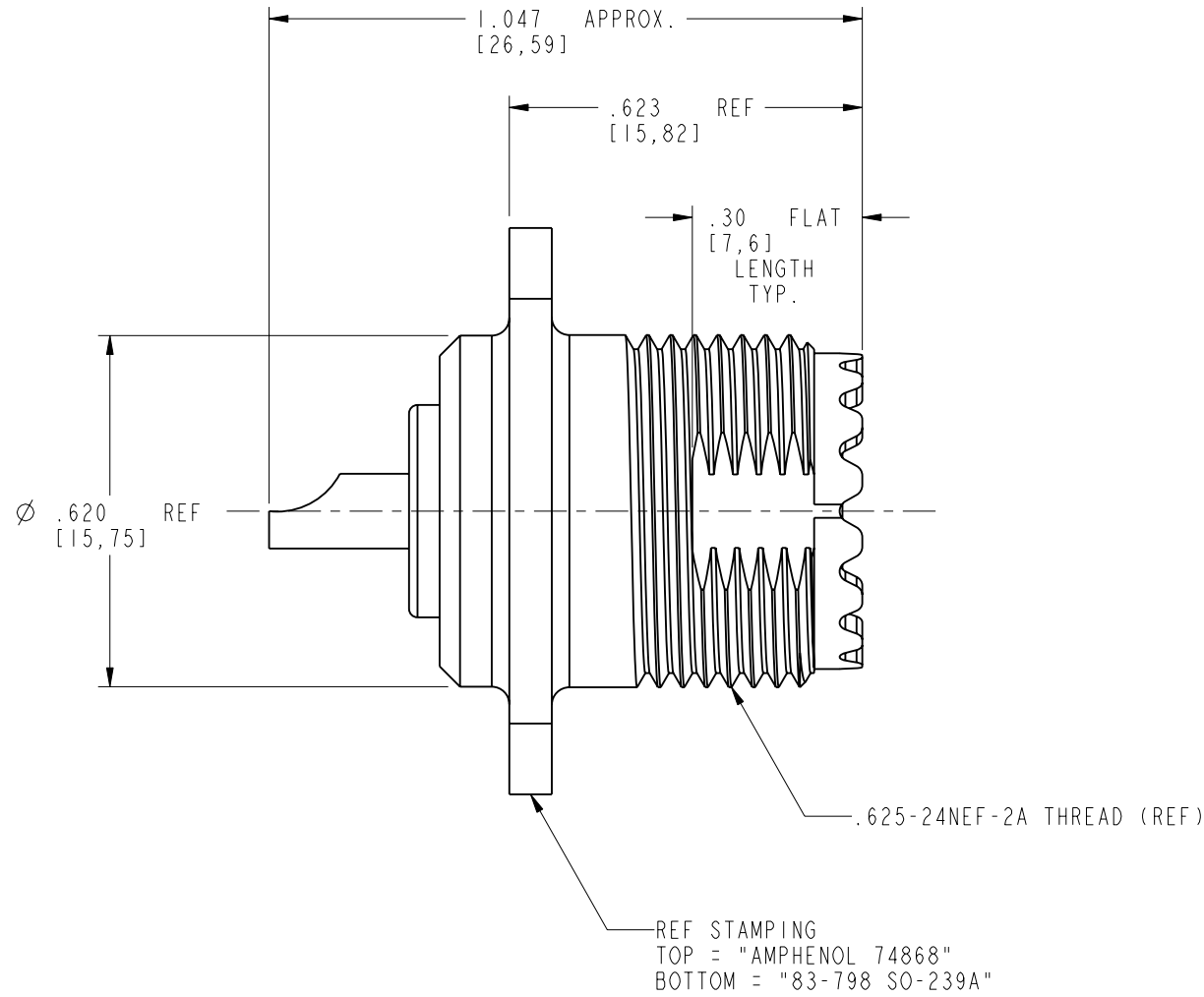


NOTES:

1. MATERIALS OF CONSTRUCTION:
 BODY = ZINC DIE CAST, NICKEL PLATED (.000150 MIN THICK)
 SOCKET CONTACT = BRASS, SILVER PLATED (.000200 MIN THICK)
 INSULATOR = TEFLON, PER MIL-P-19468

83-798		REVISIONS			
DRAWING NO.	REV	DESCRIPTION	DATE	ECO	APPR
THIRD ANGLE PROJ.	--	RELEASE TO MFG.	--	--	--
	AF	ADD SHEET 2 & FLATS ON BODY	11/14/01	43883	CPM
	AG	ADD METRIC SIZE , UPDATE THE DRAWING	11-Apr-12	49041	S.H



CUSTOMER OUTLINE DRAWING
 ALL OTHER SHEETS ARE FOR INTERNAL USE ONLY

UNLESS OTHERWISE SPECIFIED, DIMENSIONS ARE IN INCHES AND TOLERANCES ARE: 2 PLACE DECIMAL ±.015 (0,381 mm) 3 PLACE DECIMAL ±.005 (0,127 mm) ANGLES ± 1°	MATERIAL	DRAWN T.HU	DATE 11-Apr-12	TITLE UHF RECEPTACLE SO-239/A		Amphenol RF Danbury, CT, USA Tainan, Taiwan Shenzhen, China www.amphenolrf.com	
	REFERENCE	ENGINEER O. BARTHELMES	DATE 12-Nov-01				
NOTICE - These drawings, specifications, or other data (1) are, and remain the property of Amphenol Corp. (2) must be returned upon request; and (3) are confidential and not to be disclosed to any person other than those to whom they are given by Amphenol Corp. The furnishing of these drawings, specifications, or other data by Amphenol Corp., or to any other person to anyone for any purpose is not to be regarded by implication or otherwise in any manner licensing, granting rights or permitting such holder or any other person to manufacture, use or sell any product, process or design, patented or otherwise, that may in any way be related to or disclosed by said drawings, specifications, or other data.		APPROVED S.HSIEH	DATE 11-Apr-12	CODE ID 74868	DWG SIZE B	DRAWING NO. 83-798	REV AG
							SCALE: 3.0:1 SHEET 2 OF 2