



KE SERIES

HIGH PERFORMANCE IEC INLET FILTERS



INTRODUCTIONS

1. Applications for UL 544 & UL 2601 health care equipment.
2. Specially designed with ground choke providing most effective EMI suppression for high frequency noise (ranged 5-25MHz).
3. Bleeder resistor can be added with suffix "-R" on part numbers.
4. With optional 0.1uF X capacitor instead of 0.047uF.
5. With optional solder lug connection instead of fast on terminal.

COMPONENTS

| PART NO. | L (mH) | Cx (uF) | Lg (uH) |
|-------------------------|--------|---------|---------|
| 03KEEG3DAM/03KEEW3DAM | 3.1 | 0.047 | 100 |
| 03KEEG3EAM/03KEEW3EAM | 3.1 | 0.1 | |
| *08KEEG3DAM/08KEEW3DAM | 0.8 | 0.047 | |
| *08KEEG3EAM/08KEEW3EAM | 0.8 | 0.1 | |
| **10KEEG3DAM/10KEEW3DAM | 0.4 | 0.047 | |
| **10KEEG3EAM/10KEEW3EAM | 0.4 | 0.1 | |

** UL, CSA & VDE approved to 9A 115/250VAC
* VDE approved to 6A 250V

MINIMUM INSERTION LOSS IN dB

| COMMON MODE (L-G) IN 50 OHM SYSTEM | | | | | | |
|--|---------------|-----|-----|-----|----|----|
| CURRENT RATING | FREQUENCY-MHz | | | | | |
| | .15 | .50 | 1.0 | 5.0 | 10 | 30 |
| 3A | 20 | 30 | 30 | 30 | 25 | 10 |
| 8A | 10 | 12 | 15 | 15 | 15 | 10 |
| 10A | 5 | 10 | 12 | 12 | 12 | 10 |
| DIFFERENTIAL MODE (L-L) IN 50 OHM SYSTEM | | | | | | |
| 3A | 0 | 10 | 12 | 25 | 25 | 20 |
| 8A | 0 | 10 | 12 | 25 | 25 | 20 |
| 10A | 0 | 10 | 12 | 25 | 25 | 20 |

MECHANICAL CONSTRUCTION



G3DAM

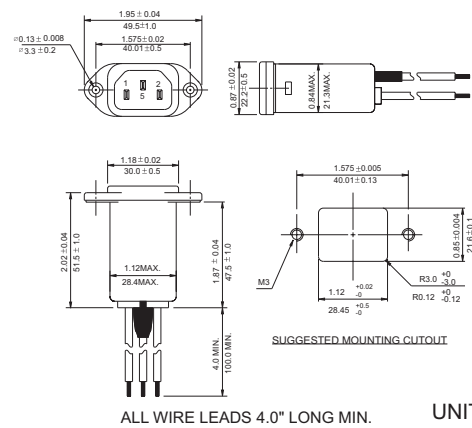
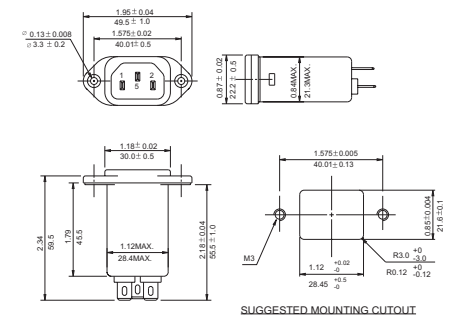
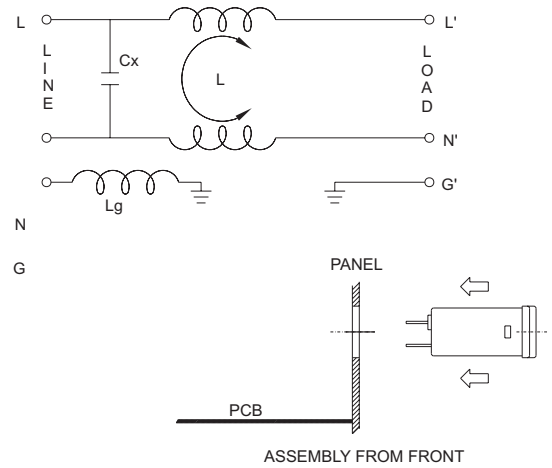


W3DAM

SPECIFICATIONS

1. Maximum leakage current each line-to-ground @ 115VAC 60Hz: 2uA @ 250VAC 50Hz: 5uA
2. Hipot rating (one minute) line-to-ground: 2250VDC line-to-line: 1450VDC
3. Operating frequency: 50/60Hz
4. Rated voltage: 115/250VAC

ELECTRICAL SCHEMATIC



ALL WIRE LEADS 4.0" LONG MIN.

UNIT: INCH
mm