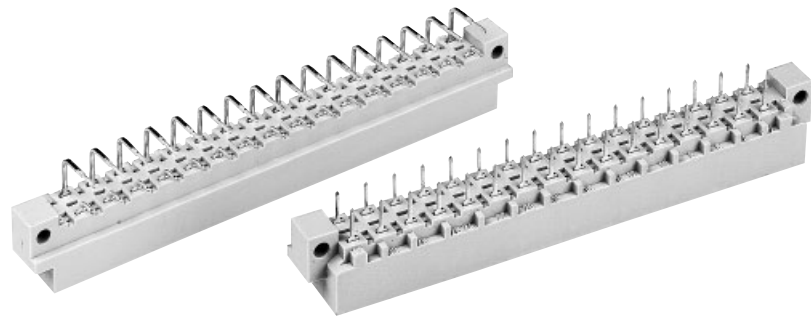


Number of contacts

32

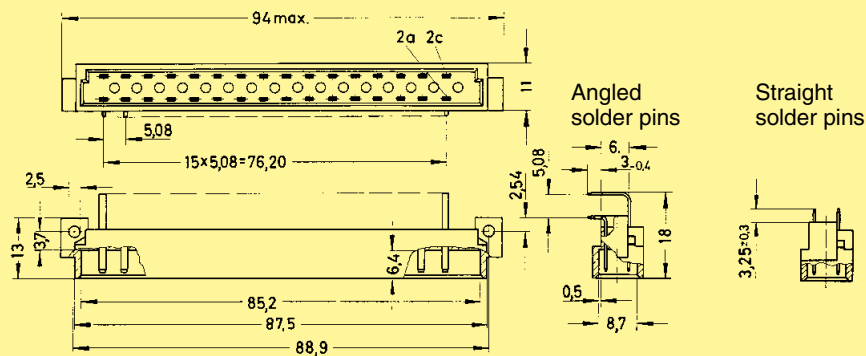


Male connectors

Identification	Number of contacts	Contact arrangement	Part No.	Performance levels according to IEC 60603-2. Explanation chapter 00		
				3	2	1
Male connector with angled solder pins SMC	32		09 04 132 7921	09 04 132 6921 09 04 132 6921 222 ^{f)} 09 04 332 6921 ^{b)} 09 04 632 6921 ^{c)}	09 04 132 2921 09 04 132 2921 222 ^{f)}	
	32			09 04 332 6919 ^{b)d)}		
	30 + 2 [▲]			09 04 132 6951 09 04 632 6951 ^{c)}	09 04 632 2951 ^{c)}	
Male connector with straight solder pins	32			09 04 132 6922		
	30 + 2 [▲]			09 04 132 6952		

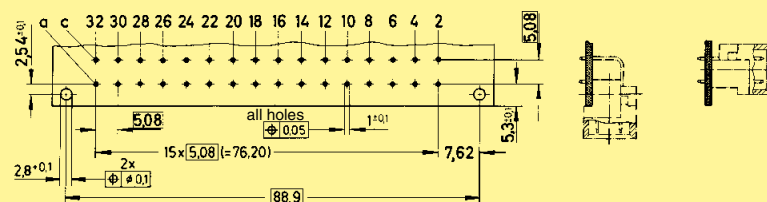
DIN Power up to 6 A

Dimensions



Board drillings

Mounting side



Dimensions in mm

▲ Male connectors with 2 leading contacts [(0.8 mm) pos. a2 and a32]
Other contact arrangements on request
b) Connectors with snap-in clips see chapter 00
c) Connectors with coding see chapter 00

d) CTI > 400
f) Railway classification NFF 16-101, Smoke index: F1, Flammability class: I2