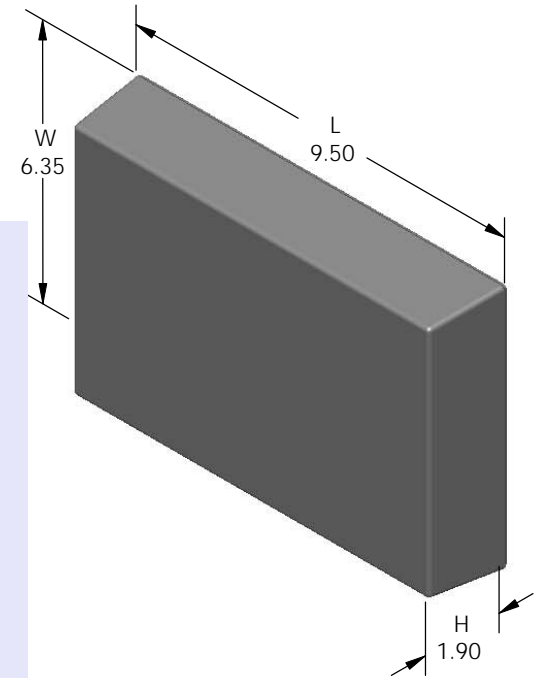
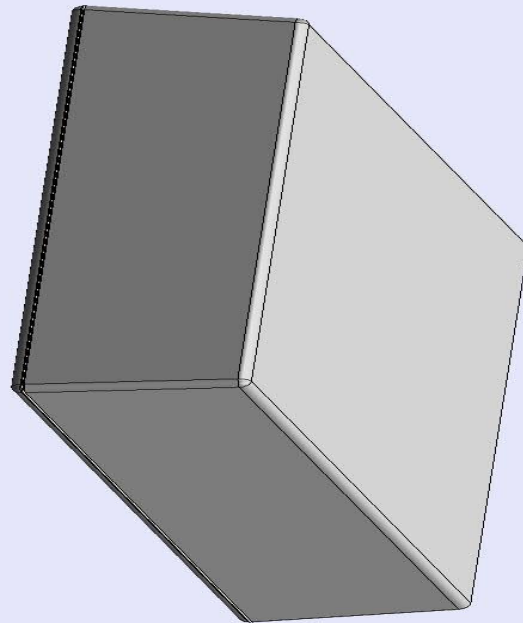


# SERPAC 093 (exploded isometric)

Electronic Enclosures

- Click on image to show toolbar. Use ▶ || to Play/Pause Animation.
- Left click and drag on image to move 3D model.



- a) Zoom in & out with center wheel.
- b) Pause at any moment to view and or print views.
- c) Change the views to ortho and section views if needed from the Views pull down menu.
- d) Explore options included in the tool bar like: Views, Transparency of model, Lighting type, etc.

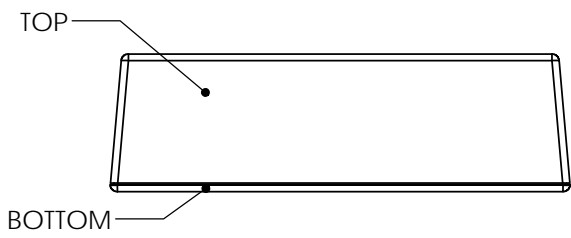
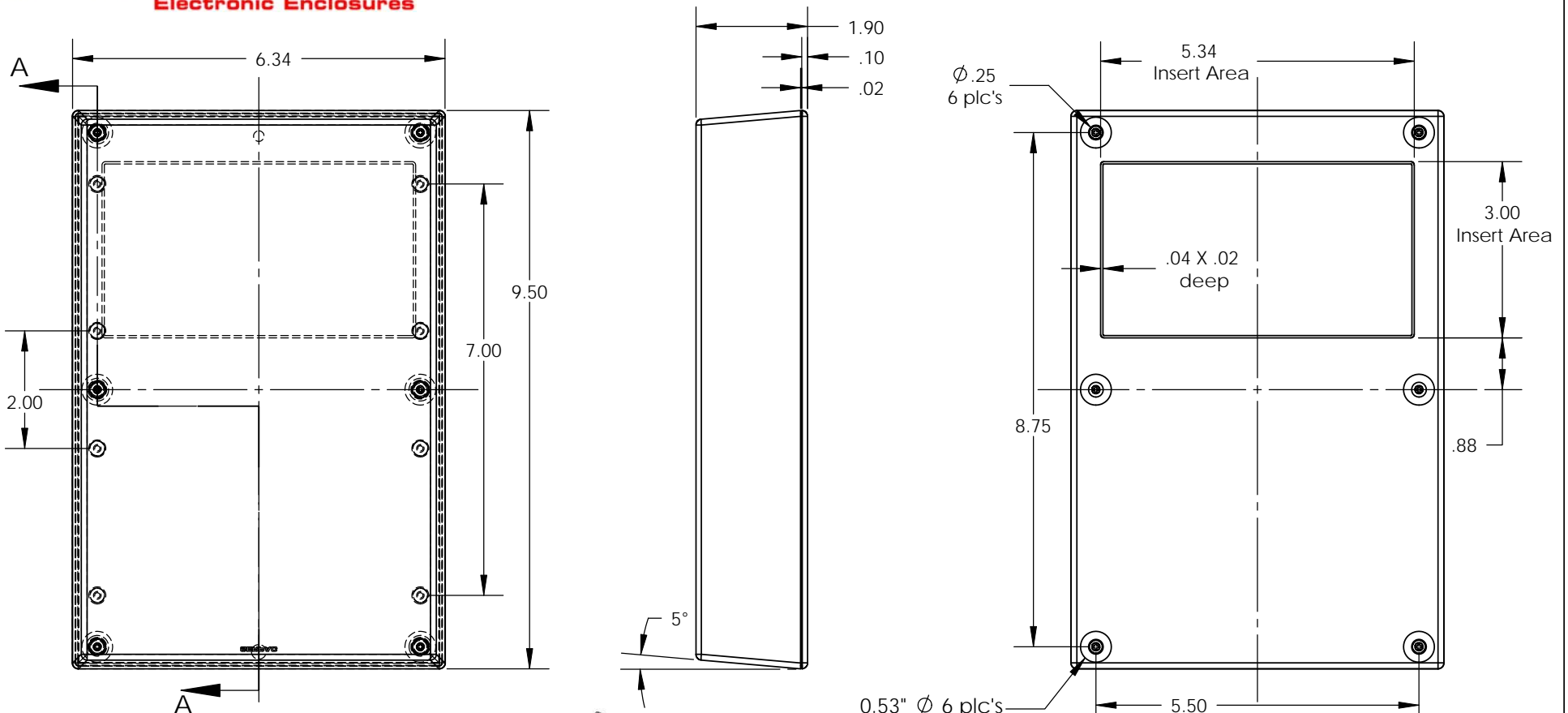
PART NO.	DESCRIPTION (Included)	ACCESSORIES (Optional)	
9-3	TOP	PART NO.	DESCRIPTION
09	BOTTOM	51	Non-skid Feet
6005	#4X3/8" Self tapping (6)		

Notes: Enclosure weight .64 lbs / 292 gm  
 1) Enclosure meets or exceeds IP40 and NEMA 1  
 2) Circuit Board drawings can be download at:  
[http://www.serpac.com/Products/Sseries/x9x/drawings/09X\\_top-CB.pdf](http://www.serpac.com/Products/Sseries/x9x/drawings/09X_top-CB.pdf)  
 3) All components are RoHS Compliant.

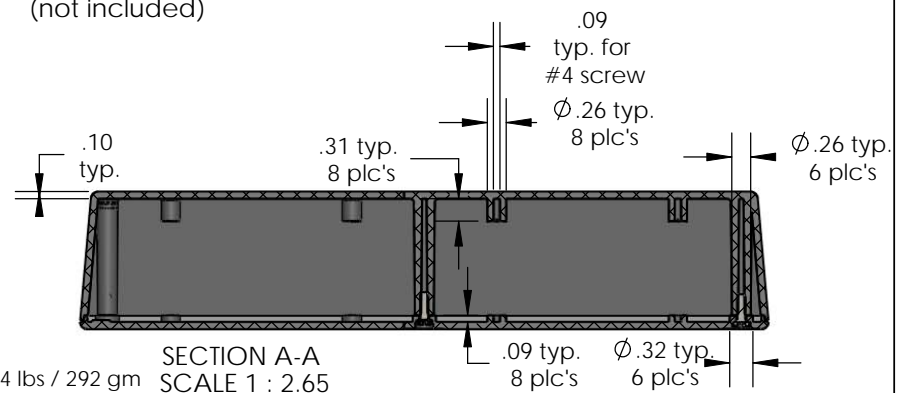
**ALL DIMENSIONS ARE ± .010" 3/18/10 (1 of 2)**  
**619 Commercial Ave. Covina, CA 91723**  
 Ph. (626) 331-0517 Fx. (626) 331-8584 [serpac.com](http://serpac.com)

# SERPAC 093 (user print)

Electronic Enclosures



0.53"  $\Phi$  6 plc's  
Recessed 0.005" for  
Non-skid feet  
(not included)



SECTION A-A  
SCALE 1 : 2.65

PART NO.	DESCRIPTION (Included)	ACCESSORIES (Optional)	
9-3	TOP	PART NO.	DESCRIPTION
09	BOTTOM	51	Non-skid Feet
6005	#4X3/8" Self tapping (6)		

Notes: Enclosure weight .64 lbs / 292 gm  
 1) Enclosure meets or exceeds IP40 and NEMA 1  
 2) Circuit Board drawings can be download at:  
[http://www.serpac.com/Products/Sseries/x9x/drawings/09X\\_top-CB.pdf](http://www.serpac.com/Products/Sseries/x9x/drawings/09X_top-CB.pdf)  
 3) All components are RoHS Compliant.