

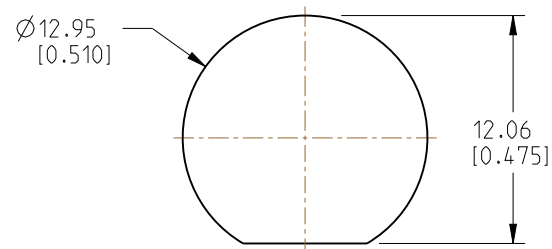
NOTES:

- 1. MATERIALS AND FINISHES:
 RP TNC STR BHD JACK IP 67 - BRASS, NICKEL PLATING

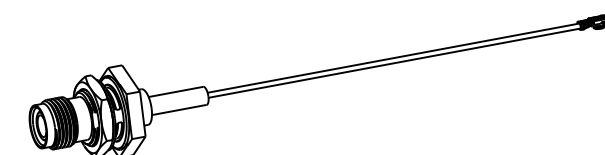
 MHF-1-LK RA PLUG:
 HOUSING - PBT, BLACK
 CONTACT AND GROUND CONTACT - PHOSPHOR BRONZE, SILVER PLATING

 CABLE - 1.13 MM CABLE
- 2. ELECTRICAL:
 A. IMPEDANCE: 50 OHM
- 3. PACKAGING:
 A. QUANTITY: SINGLE PACK
 B. MARKING: BAG TO BE MARKED
 "AMPHENOL RF, 95-850-313-XXX AND DATE CODE"

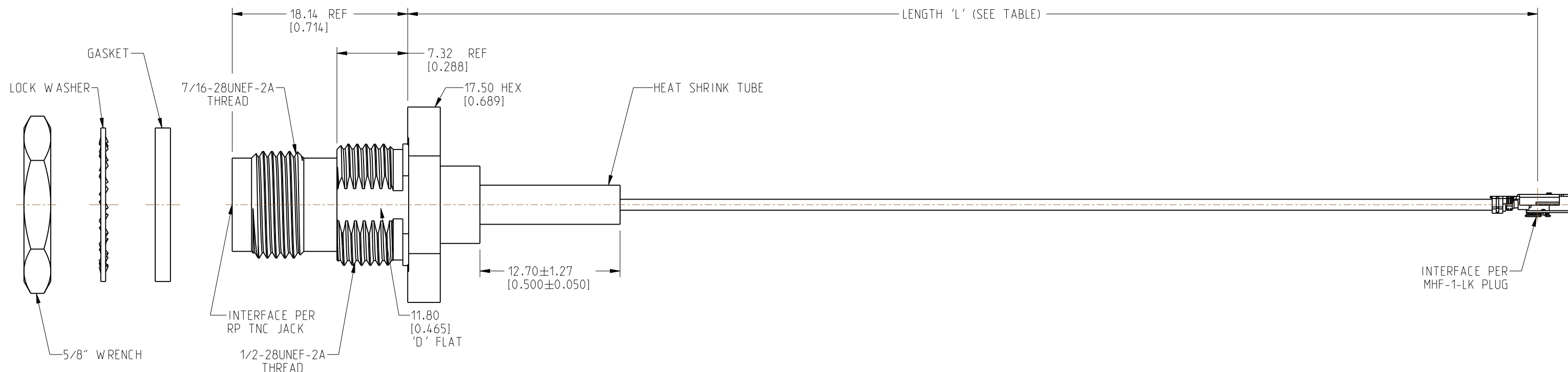
| REVISIONS | | | | |
|-----------|-----------------|-----------|-------|----|
| REV | DESCRIPTION | DATE | ECN | BY |
| A | RELEASE TO MFG. | 27-JAN-23 | 16544 | SG |



RECOMMENDED MOUNTING HOLE DIMENSIONS



SCALE 0.600



| LENGTH TABLE | |
|----------------------|-----------------------------------------|
| PART NUMBER (METRIC) | LENGTH 'L' AND TOLERANCE IN MM (INCHES) |
| 95-850-313-050 | 50.00 ± 3.81 [1.969 ± 0.150] |
| 95-850-313-100 | 100.00 ± 3.81 [3.937 ± 0.150] |
| 95-850-313-150 | 150.00 ± 3.81 [5.906 ± 0.150] |
| 95-850-313-200 | 200.00 ± 5.08 [7.874 ± 0.200] |
| 95-850-313-250 | 250.00 ± 5.08 [9.843 ± 0.200] |
| 95-850-313-300 | 300.00 ± 5.08 [11.811 ± 0.200] |

DESIGN REQUIREMENTS:

- FREQUENCY: DC - 9 GHz
- CONTINUITY
- VSWR: _____ MAX.
- HI-POT: 200 VRMS
- INS. LOSS: _____ dB MAX.
- OTHER:

CUSTOMER OUTLINE DRAWING
 ALL OTHER SHEETS ARE FOR INTERNAL USE ONLY

NOTICE: These drawings, specifications, or other data (1) are, and remain the property of Amphenol corp. (2) must be returned upon request; and (3) are confidential and not to be disclosed to any person other than those to whom they are given by Amphenol Corp. The furnishing of these drawings, specifications, or other data by Amphenol Corp., or to any other person to anyone for any purpose is not to be regarded by implication or otherwise in any manner licensing, granting rights to permitting such holder or any other person to manufacture, use or sell any product, process or design, patented or otherwise, that may in any way be related to or disclosed by said drawings, specifications, or other data.

UNLESS OTHERWISE SPECIFIED DIMENSIONS ARE METRIC (INCHES) AND TOLERANCES ARE:
 <0.5mm = ±0.05mm [$<0.020 = \pm 0.002$]
 0.5 - 6mm = ±0.1mm [$>0.020 - 0.236 = \pm 0.004$]
 >6.00 - 30mm = ±0.2mm [$>0.236 - 1.181 = \pm 0.008$]
 >30.00 - 120mm = ±0.3mm [$>1.181 - 4.725 = \pm 0.012$]

MATERIAL: SEE NOTES
 ENGR.1: SIVA
 ENGR.2:
 DATE: 21-DEC-22

TITLE: RP TNC STR BHD JACK IP 67 TO MHF-1-LK RA PLUG USING 1.13 MM CABLE VARIOUS LENGTH
 SHEET NO. 2 OF 2
 SCALE: 2.5:1.0

| | | | | |
|---------|--|----------------------------|--|--------|
| SIZE: B | | DRAWING NO. 95-850-313-XXX | | REV: A |
| | | ITEM NO. 95-850-313-XXX | | |
| | | PART NO. 95-850-313-XXX | | |

THIRD ANGLE PROJ.

REFERENCE: EAR# 11650

ANGLES = ±1°

DATE: 21-DEC-22

SHEET NO. 2 OF 2
 SCALE: 2.5:1.0

DRAWING NO. 95-850-313-XXX
 ITEM NO. 95-850-313-XXX
 PART NO. 95-850-313-XXX