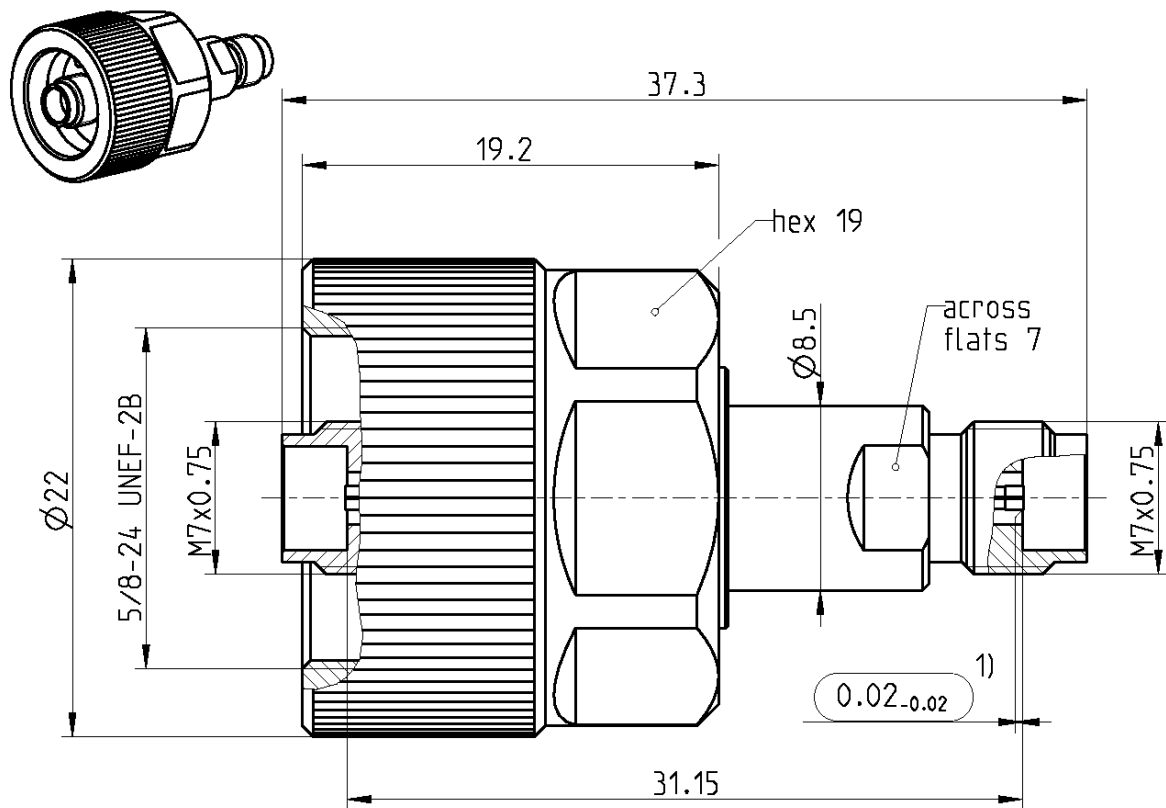


RPC-2.40

Adaptor  
jack - jack

**09KR121-K0AS3**



1) restricted connection dimension

All dimensions are in mm; tolerances according to ISO 2768 m-H

**Interface**

According to IEC 61169-40  
Mechanically compatible with RPC-1.85

**Documents**

N/A

**Material and plating**

**Connector parts**

Center contact  
Outer contact  
Dielectric  
Coupling nut

**Material**

CuBe  
Stainless steel  
PEEK  
Stainless steel

**Plating**

Gold, min. 1.27 µm, over chemical nickel  
Passivated  
Passivated

RPC-2.40

Adaptor  
jack - jack

**09KR121-K0AS3**

**Electrical data**

Impedance 50 Ω  
 Frequency DC to 50 GHz  
 Return loss ≥ 26 dB, DC to 26.5 GHz  
 ≥ 23 dB, 26.5 GHz to 50 GHz  
 Insertion loss ≤ 0.05 x √f(GHz) dB  
 Insulation resistance ≥ 5 GΩ  
 Test voltage (at sea level) 500 V rms  
 Working voltage (at sea level) 150 V rms  
 RF-leakage ≥ 100 dB up to 1 GHz

**Mechanical data**

Mating cycles ≥ 500  
 Center contact captivation ≥ 20 N  
 Coupling test torque 1.65 Nm  
 Recommended torque 0.80 Nm to 1.10 Nm  
 Recommended torque ruggedized nut 1.36 Nm

**Environmental data**

Temperature range -40°C to +85°C  
 Thermal shock IEC 61169-1, Subclause 9.4.4  
 Corrosion IEC 61169-1, Subclause 9.4.6  
 Vibration IEC 61169-1, Subclause 9.3.3  
 Shock IEC 61169-1, Subclause 9.3.14  
 Moisture resistance IEC 61169-1, Subclause 9.4.3  
 RoHS compliant

**Tooling**

N/A

**Suitable cables**

N/A

**Weight**

48.7 g/pce

While the information has been carefully compiled to the best of our knowledge, nothing is intended as representation or warranty on our part and no statement herein shall be construed as recommendation to infringe existing patents. In the effort to improve our products, we reserve the right to make changes judged to be necessary.

Draft	Date	Approved	Date	Rev.	Engineering change number	Name	Date
M. Singer	01.02.12	F. Reiner	10.07.18	b01	18-1026	M. Ruf	06.07.18

Rosenberger Hochfrequenztechnik GmbH & Co. KG  
 P.O.Box 1260 D-84526 Tittmoning Germany  
[www.rosenberger.de](http://www.rosenberger.de)

Tel. : +49 8684 18-0  
 Email : [info@rosenberger.de](mailto:info@rosenberger.de)

Page

2 / 2