

THIS DRAWING IS UNPUBLISHED. RELEASED FOR PUBLICATION SEP ,2005.

© COPYRIGHT 2005 BY TYCO ELECTRONICS CORPORATION. ALL RIGHTS RESERVED.

| LOC | DIST | REVISIONS | | | | | |
|-----|------|-----------|-----|---------------|---------|-----|------|
| E | B | P | LTR | DESCRIPTION | DATE | DWN | APVD |
| | | D | | ECO-09-017593 | 27Jul09 | AM | BOB |

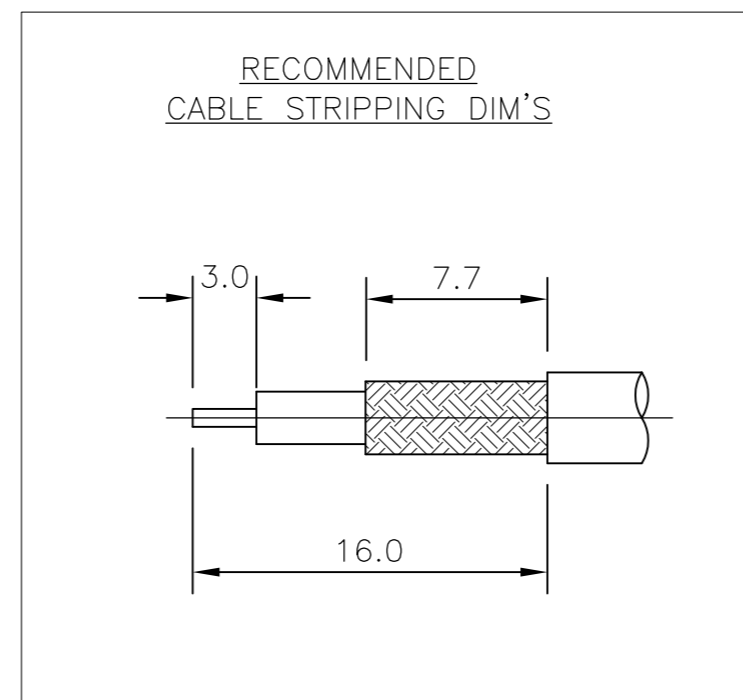
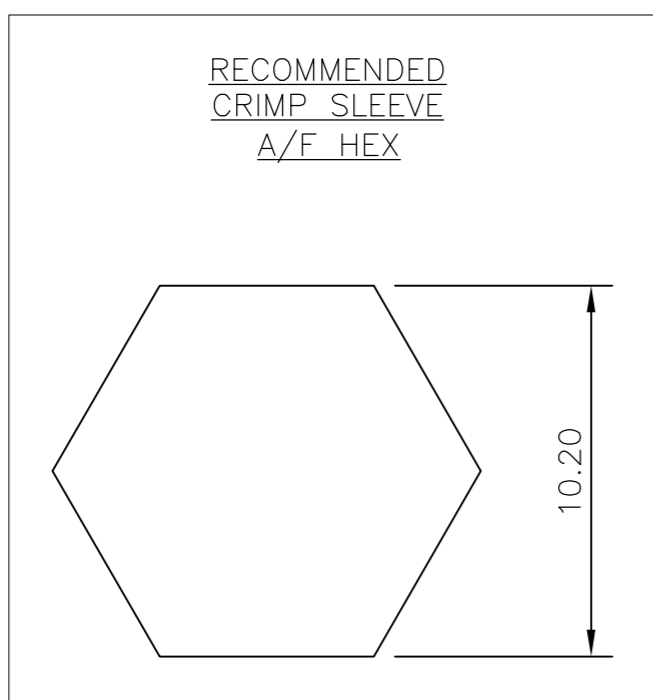
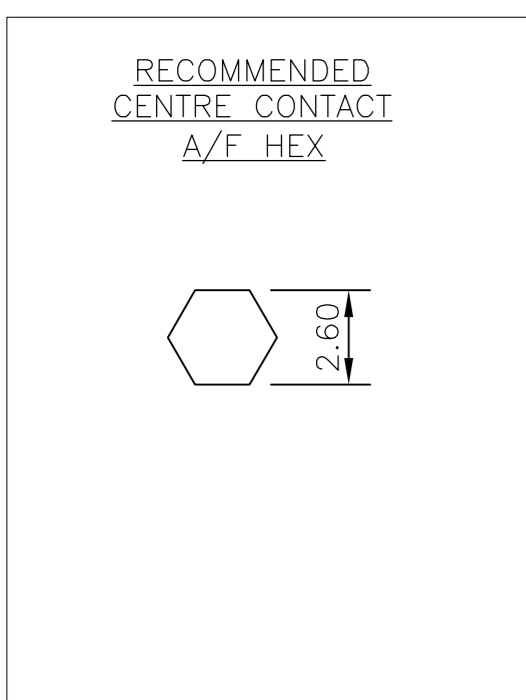
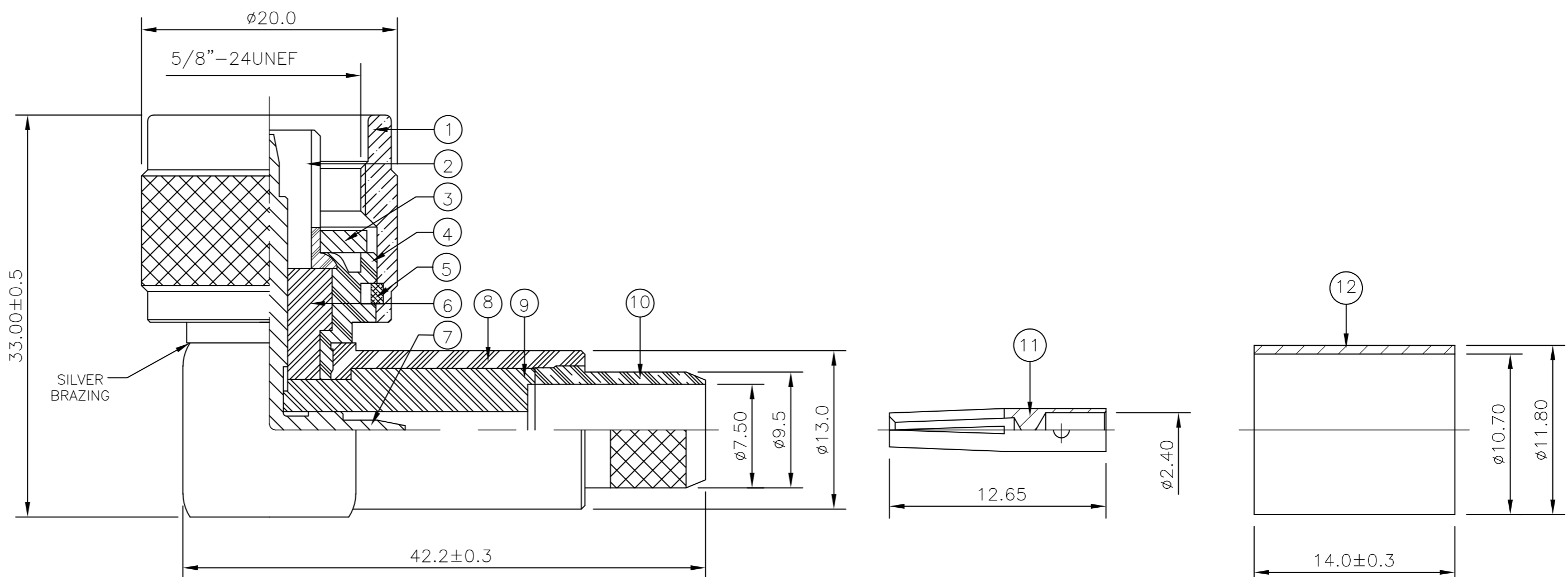
NOTES:

- 1 PACK IN ACCORDANCE WITH AMP SPEC 107-3275
- 2 100 TRAY PACK IN ACCORDANCE WITH AMP SPEC 107-3275
- 3 Ag PLATING
- 4 THIS ITEM MUST BE WHITE
- 5. HAND TOOL: 9-1478239-0
- 6. ELECTRICAL CHARACTERISTICS

| | |
|-------------------------------|-----------------------------|
| FREQUENCY RANGE: | DC - 11 GHz |
| NOMINAL IMPEDANCE: | 50 Ohm |
| INSULATION RESISTANCE: | 5000 MOhm |
| WORKING VOLTAGE: | 1000 Volts RMS at Sea Level |
| DIELECTRIC WITHSTAND VOLTAGE: | 2500 Volts RMS Max |
| CONTACT RESISTANCE: | |
| CENTRE CONTACT: | 1.00 mOhm Max |
| OUTER CONTACT: | 1.00 mOhm Max |
| VSWR @ 4GHz: | 1.50:1 Max |
| INSERTION LOSS dB @ x 4 GHz: | 0.30 Max |
- 7. MECHANICAL CHARACTERISTICS

| | |
|---------------------------|----------------|
| COUPLING RETENTION FORCE: | 445N Min |
| CABLE RETENTION FORCE: | 350N Min |
| DURABILITY: | 500 Cycles Min |
- 8. ENVIRONMENTAL CHARACTERISTICS

| | |
|------------------------|------------------|
| OPERATING TEMPERATURE: | -65 to +165 DegC |
|------------------------|------------------|



| QTY | QTY PER ASSY | MATERIAL | DESCRIPTION | ITEM |
|------|--------------|----------------|---------------|------|
| 1 | 1 | BRASS | FERRULE | 12 |
| 1 | 1 | BRASS | CONTACT II | 11 |
| 1 | 1 | BRASS | CHASSIS | 10 |
| 1 | 1 | PTFE | INSULATION II | 9 |
| 1 | 1 | BRASS | BODY II | 8 |
| 1 | 1 | BRASS | CONTACT I | 7 |
| 1 | 1 | PTFE | INSULATION I | 6 |
| 1 | 1 | BRASS | CIRCLIP | 5 |
| 1 | 1 | BRASS | BODY I | 4 |
| 1 | 1 | SILICON RUBBER | GASKET | 3 |
| 1 | 1 | BRASS | OUTER CONTACT | 2 |
| 1 | 1 | BRASS | SHELL | 1 |
| 6--0 | 1--0 | MATERIAL | DESCRIPTION | ITEM |

| | | | | | |
|--|--|-----------------------------|--|---|-----------|
| THIS DRAWING IS A CONTROLLED DOCUMENT. | | DWN J.SANDWELL 21SEP05 | | Tyco Electronics Corporation Kunshan, Jiangsu, RPC215321 | |
| DIMENSIONS: mm | | CHK S.PARLOW 21SEP05 | | | |
| TOLERANCES UNLESS OTHERWISE SPECIFIED: | | APVD F.WHEELER-KING 21SEP05 | | NAME | |
| 0 PLC ± - | | PRODUCT SPEC | | TYPE-N ELBOW PLUG CRIMP 50 OHM | |
| 1 PLC ± 0.2 | | APPLICATION SPEC | | PSF 1/4M, RG8A/U, 213/U, URM67, KX4 | |
| 2 PLC ± 0.1 | | WEIGHT - | | SIZE | CAGE CODE |
| 3 PLC ± 0.05 | | CUSTOMER DRAWING | | A2 | 00779 |
| 4 PLC ± - | | SCALE NTS | | DRAWING NO | |
| ANGLES ± - | | SHEET 1 OF 1 | | REV D | |
| FINISH SEE TABLE | | RESTRICTED TO - | | C-1337412 | |