

THIS DRAWING IS UNPUBLISHED.

RELEASED FOR PUBLICATION DEC ,2005.

© COPYRIGHT 2005 By -

ALL RIGHTS RESERVED.

LOC	DIST	REVISIONS			
P	LTR	DESCRIPTION	DATE	DWN	APVD
E	B	D	ECO-14-015780	29OCT2014	RZ MY

NOTES:

1 SINGLE PACKING: ONE CONNECTOR PER LABELED BAG PACKAGED. LABELED PER TEC-107-115

2 TRAY PACKAGED

3 Ag PLATING

4 Zn PLATING

5 THIS ITEM MUST BE WHITE

6. ELECTRICAL CHARACTERISTICS

FREQUENCY RANGE:	DC - 1 GHz
NOMINAL IMPEDANCE:	50 Ohm
INSULATION RESISTANCE:	5000 MOhm
WORKING VOLTAGE:	500 Volts RMS at Sea Level
DIELECTRIC WITHSTAND VOLTAGE:	1500 Volts RMS Max
CONTACT RESISTANCE:	
CENTER CONTACT:	1.50 mOhm Max
OUTER CONTACT:	1.00 mOhm Max
VSWR @ 1GHz:	1.3 Max

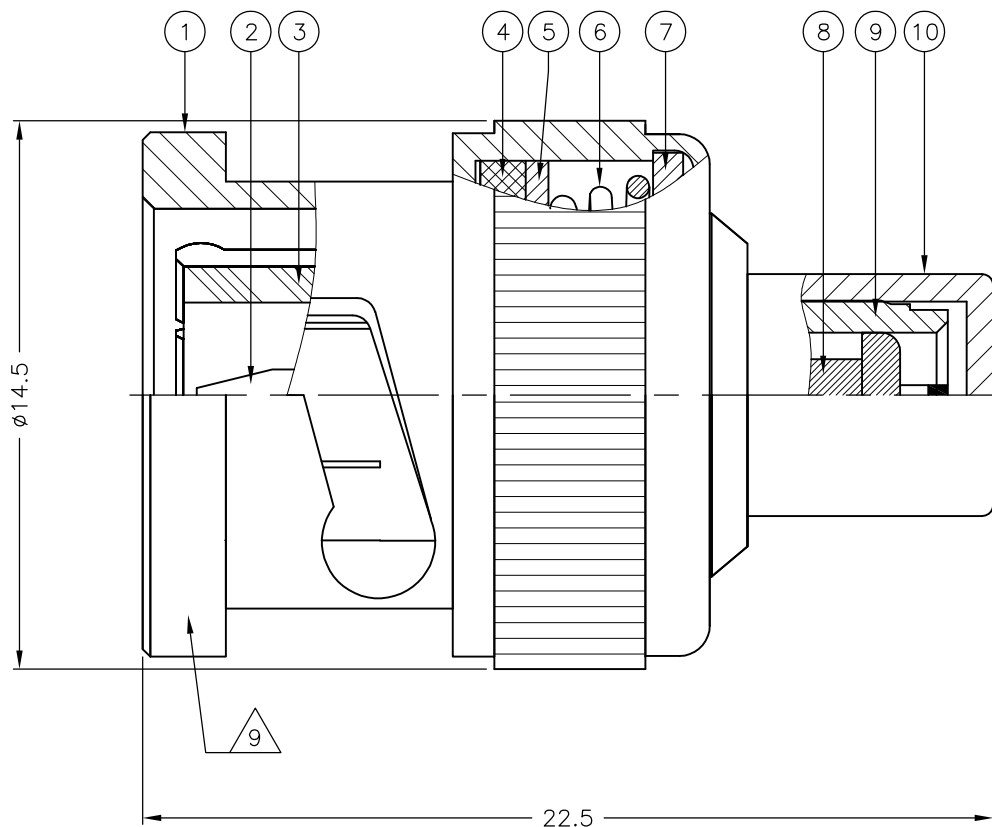
7. MECHANICAL CHARATERISTICS

COUPLING RETENTION FORCE:	266N
DURABILITY:	500 Cycles Min

8. ENVIRONMENTAL CHARACTERISTICS

OPERATING TEMPERATURE: -65 to +165 DegC

9 VALUE MARKED ON CONNECTOR BODY AS SHOWN (SEE TABLE)



QTY	QTY PER ASSY	MATERIAL	DESCRIPTION	ITEM
1	1	BRASS	CAP	10
1	1	BRASS	BODY	9
1	1	1/2W-50 OHM	RESISTOR	8
1	1	SK-5	WASHER	7
1	1	SPRING STEEL	SPRING	6
1	1	SK-5	RETAINING RING	5
1	1	SILICONE RUBBER	GASKET	4
1	1	PTFE	INSULATOR	3
1	1	BRASS	CONTACT	2
1	1	BRASS	SHELL	1
6--0	1--0	MATERIAL	DESCRIPTION	ITEM
△	△			
QUANTITY PER ASSY		PARTS LIST		

THIS DRAWING IS A CONTROLLED DOCUMENT.		DWN	J.SANDWELL	14DEC05
DIMENSIONS: mm		CHK	S.PARLOW	14DEC05
TOLERANCES UNLESS OTHERWISE SPECIFIED:		APVD	F.WHEELER-KING	14DEC05
0 PLC ± -		PRODUCT SPEC		
1 PLC ± 0.5		APPLICATION SPEC		
2 PLC ± -		WEIGHT -		
3 PLC ± -		SIZE A3		
4 PLC ± -		CAGE CODE 00779		
ANGLES ± -		DRAWING NO C-1337463		
FINISH -		RESTRICTED TO -		
MATERIAL SEE TABLE		CUSTOMER DRAWING		
		SCALE NTS		SHEET 1 OF 1
				REV D



BNC PLUG TERMINATION 50 OHM