

THIS DRAWING IS UNPUBLISHED.

RELEASED FOR PUBLICATION JAN , 2006.

REVISIONS

© COPYRIGHT 2006 By -

ALL RIGHTS RESERVED.

P	LTR	DESCRIPTION	DATE	DWN	APVD
	E	ECR-15-008519	05JUN2015	RZ	RS

NOTES:

1 SINGLE PACKING: ONE CONNECTOR PER LABELED BAG PACKAGED. LABELED PER TEC-107-115

2 TRAY PACKAGED

3 Ni PLATING

4 PASSIVATION

5 THIS ITEM MUST BE WHITE

6 ELECTRICAL CHARACTERISTICS

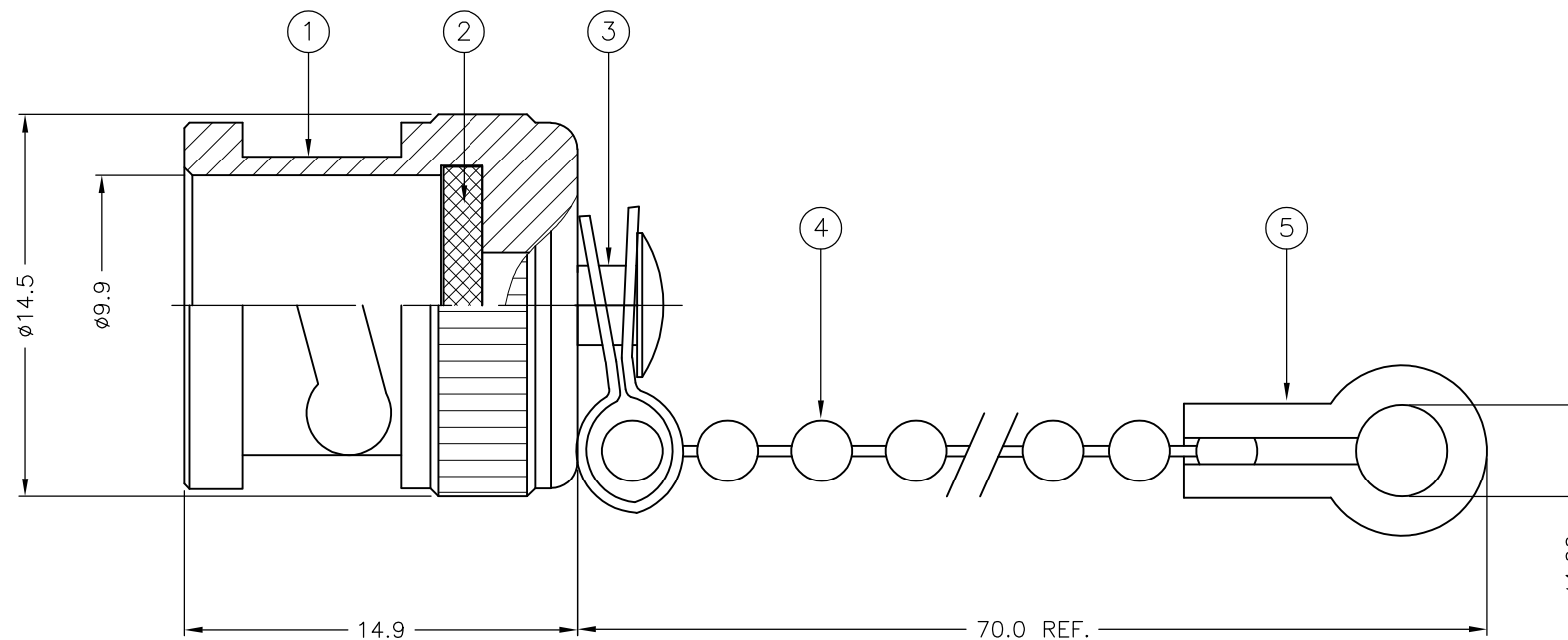
FREQUENCY RANGE:	N/A
NOMINAL IMPEDANCE:	N/A
INSULATION RESISTANCE:	N/A
WORKING VOLTAGE:	N/A
DIELECTRIC WITHSTAND VOLTAGE:	N/A
CONTACT RESISTANCE:	
CENTER CONTACT:	N/A
OUTER CONTACT:	0.20 mOhm Max
VSWR @ xGHz:	N/A
INSERTION LOSS xdb:	N/A

7 MECHANICAL CHARACTERISTICS

COUPLING RETENTION FORCE:	N/A
CABLE RETENTION FORCE:	N/A
DURABILITY:	500 Cycles Min

8 ENVIRONMENTAL CHARACTERISTICS

OPERATING TEMPERATURE:	-65 to +165 DegC
------------------------	------------------



QTY	QTY	MATERIAL	NOTE	DESCRIPTION	ITEM
2	2	STAINLESS STEEL	4	JOINT	5
1	1	STAINLESS STEEL	4	CHAIN	4
1	1	BRASS	3	RIVET	3
1	1	SILICONE RUBBER	5	GASKET	2
1	1	BRASS	3	SHELL	1
6--0	1--0			MATERIAL	DESCRIPTION
					ITEM
QUANTITY PER ASSY		PARTS LIST			

THIS DRAWING IS A CONTROLLED DOCUMENT.		DWN	J.SANDWELL	25JAN06	STE TE Connectivity	
		CHK	S.PARLOW	25JAN06		
		APVD	F.WHEELER-KING	25JAN06	NAME	
		PRODUCT SPEC			BNC PLUG CAP+CHAIN	
		APPLICATION SPEC			-	
		SIZE	A3	CAGE CODE	00779	DRAWING NO
		WEIGHT			G-1337524	
		CUSTOMER DRAWING			SCALE	NTS
		SHEET			1 OF 1	
		REV			E	

DIMENSIONS:	TOLERANCES UNLESS OTHERWISE SPECIFIED:
mm	
0 PLC	± -
1 PLC	± 0.5
2 PLC	± 0.1
3 PLC	± -
4 PLC	± -
ANGLES	± -
MATERIAL	FINISH
SEE TABLE	-