

THIS DRAWING IS UNPUBLISHED.

RELEASED FOR PUBLICATION AUGUST ,2006.

REVISIONS

© COPYRIGHT 2006 By -

ALL RIGHTS RESERVED.

P	LTR	DESCRIPTION	DATE	DWN	APVD
	D	PER ECO-15-014792	29OCT2015	RZ	RS

NOTES:

- 1 SINGLE PACKING: ONE CONNECTOR PER LABELED BAG PACKAGED. LABELED PER TEC-107-115
- 2 TRAY PACKAGED
- 3 Au PLATING
- 4 Ni PLATING
- 5 Zn PLATING
- 6 THIS ITEM MUST BE WHITE

7 ELECTRICAL CHARACTERISTICS

FREQUENCY RANGE: DC - 2 GHz
 NOMINAL IMPEDANCE: 50 Ohm
 INSULATION RESISTANCE: 5000 MOhm
 WORKING VOLTAGE: 100 Volts RMS at Sea Level
 DIELECTRIC WITHSTAND VOLTAGE: 1000 Volts RMS Max
 CONTACT RESISTANCE:
 CENTER CONTACT: 10.00 mOhm Max
 OUTER CONTACT: 5.00 mOhm Max
 VSWR @ 1.8GHz: 1.3 Max
 INSERTION LOSS dB @ x 1.8 GHz: 0.2 Max

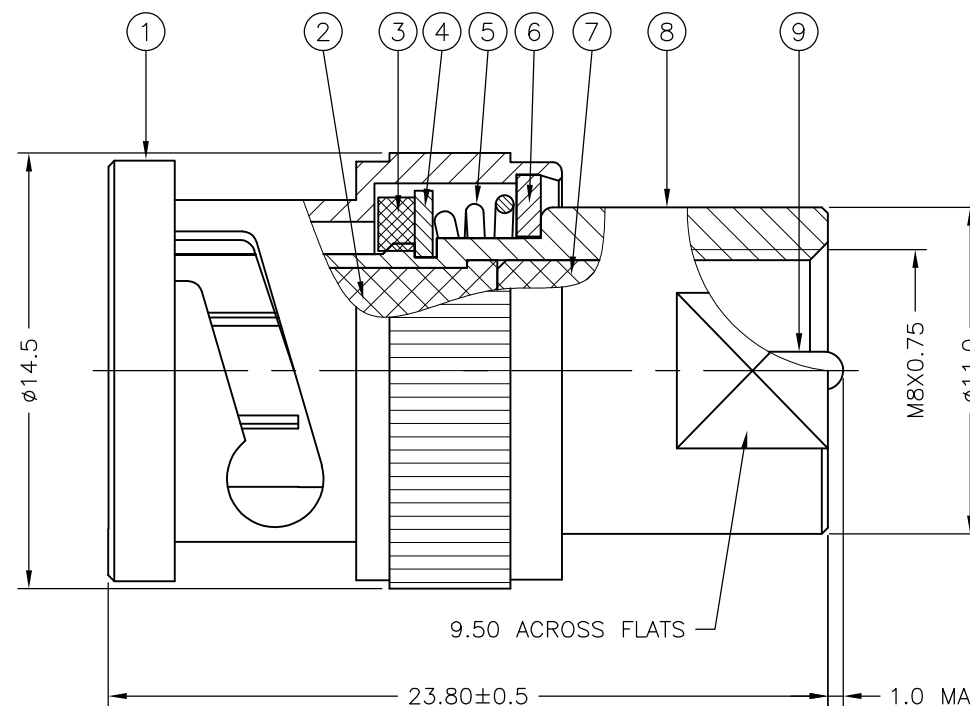
8 MECHANICAL CHARACTERISTICS

COUPLING NUT RETENTION FORCE: 267N Min
 DURABILITY: 500 Cycles Min

9 ENVIRONMENTAL CHARACTERISTICS

OPERATING TEMPERATURE: -40 to +85 DegC

10 FOR TECHNICAL DATA REFER TO YOUR LOCAL
 TE CONNECTIVITY SALES OFFICE



QTY	QTY PER ASSY	DESCRIPTION	ITEM
1	1	CONTACT	9
1	1	BODY	8
1	1	INSULATION	7
1	1	WASHER	6
1	1	SPRING	5
1	1	RETAINING RING	4
1	1	GASKET	3
1	1	INSULATION	2
1	1	SHELL	1
6--0	1--0	MATERIAL	DESCRIPTION
			ITEM

QUANTITY PER ASSY PARTS LIST

THIS DRAWING IS A CONTROLLED DOCUMENT.		DWN J.SANDWELL 31AUG06	STE TE Connectivity		
DIMENSIONS: mm		CHK S.PARLOW 31AUG06			
TOLERANCES UNLESS OTHERWISE SPECIFIED:		APVD F.WHEELER-KING 31AUG06	NAME STRAIGHT ADAPTOR FME PLUG - BNC PLUG 50 OHM		
0 PLC ± -		PRODUCT SPEC	-		
1 PLC ± 0.2		APPLICATION SPEC	-		
2 PLC ± 0.1		WEIGHT	-		
3 PLC ± -		SIZE	A3	CAGE CODE	
4 PLC ± -		DRAWING NO	G-1337562		
ANGLES ± -		RESTRICTED TO	-		
FINISH		SCALE	NTS		
MATERIAL SEE TABLE		SHEET	1 OF 1		
		REV	D		
		CUSTOMER DRAWING			