

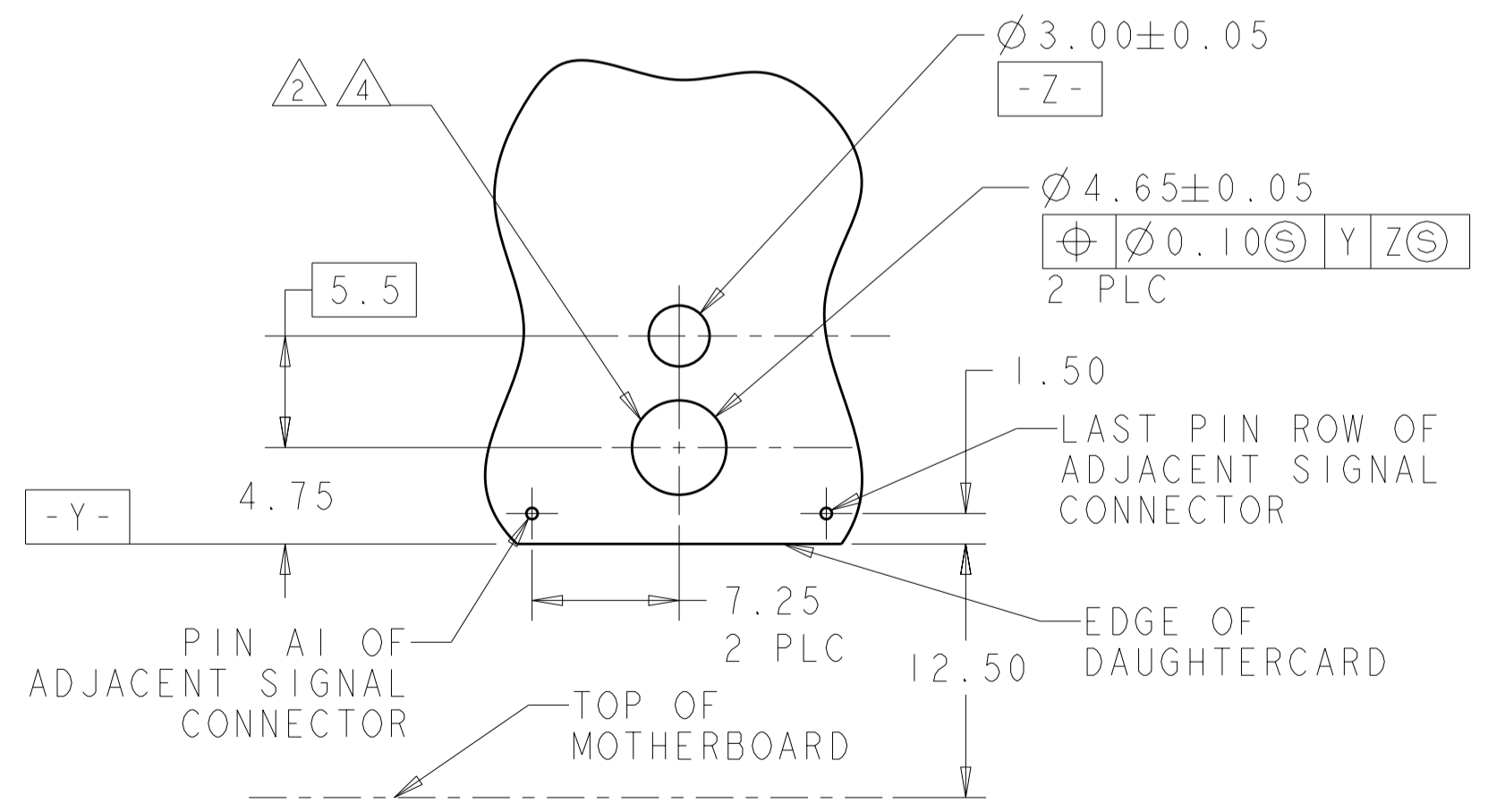
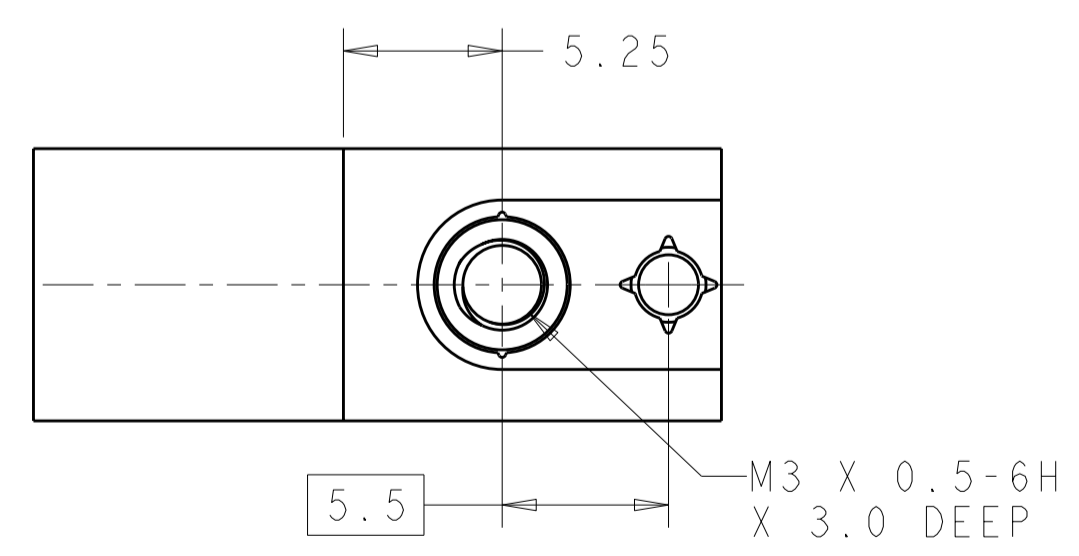
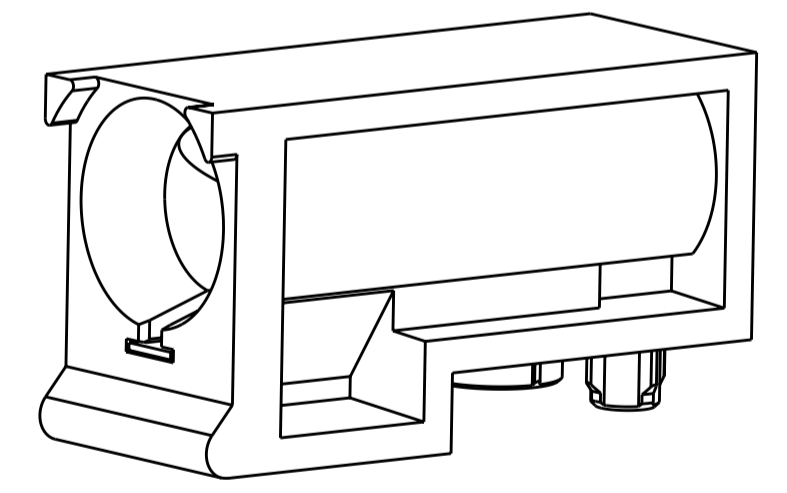
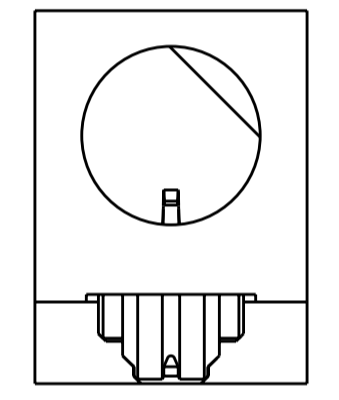
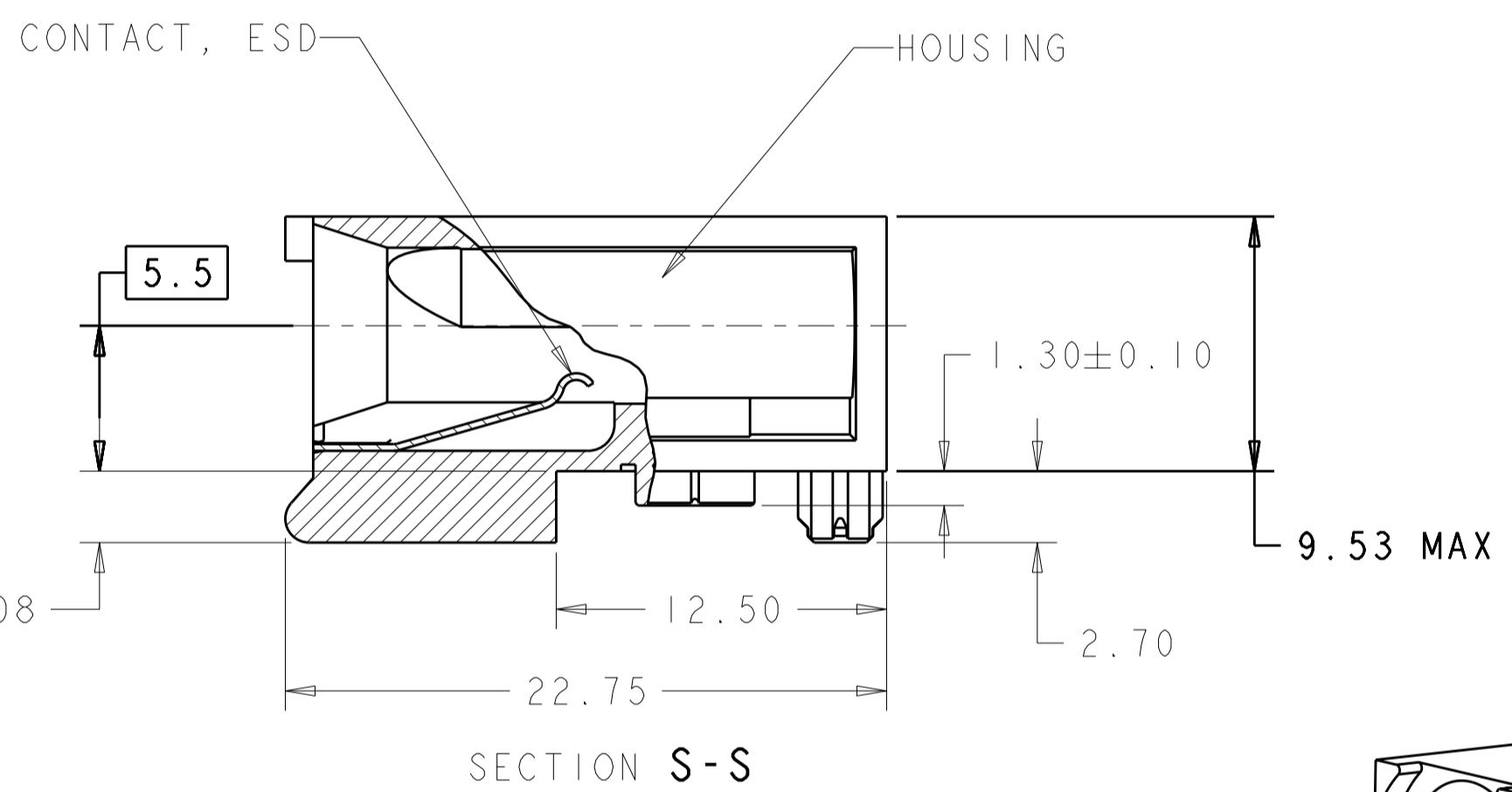
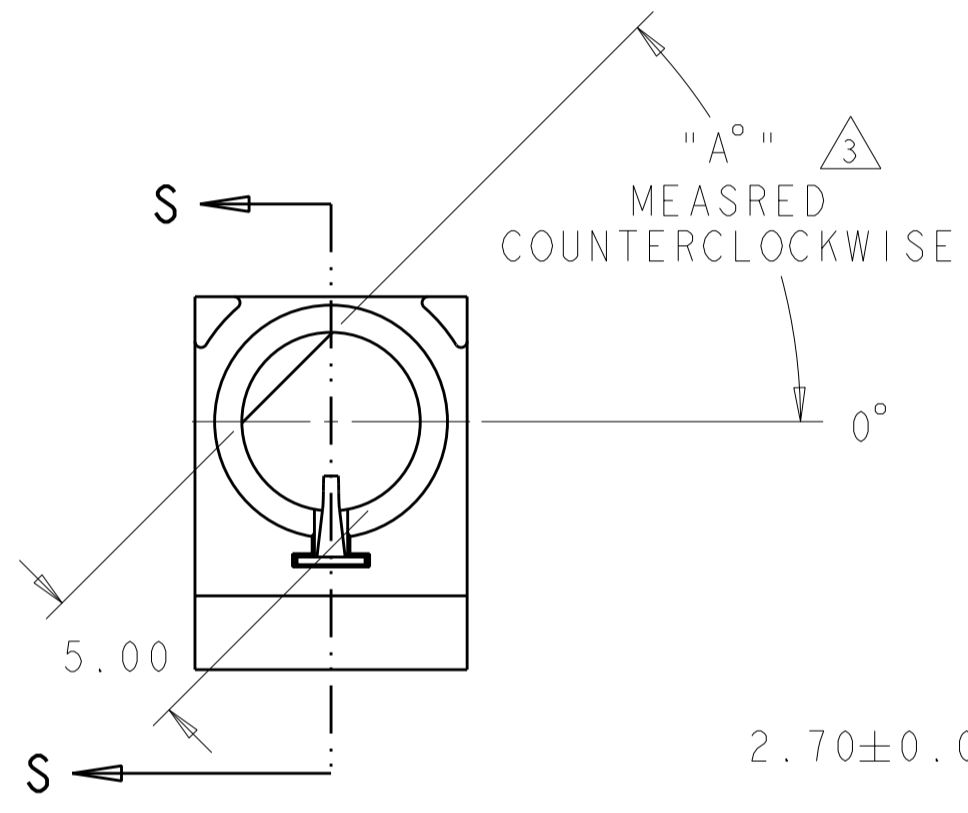
THIS DRAWING IS UNPUBLISHED. RELEASED FOR PUBLICATION 20
 © COPYRIGHT 20 BY - ALL RIGHTS RESERVED.

LOC	DIST	REVISIONS			
P	LTR	DESCRIPTION	DATE	DWN	APVD
AD	00	A	RELEASED	04AUG2011	BC AS

PART NO.	"A°"	HOUSING	CONTACT
1-1410353-1	0°	△5	△6
1-1410353-2	45°	△5	△6
1-1410353-3	90°	△5	△6
1-1410353-7	270°	△5	△6
1-1410353-8	315°	△5	△6
1-1410353-9	△7	△5	△6



- △1 MATERIAL: HOUSING: ZINC ALLOY DIE CASTING, ZAMAK 3; CONTACT: PHOSPHOR BRONZE
- △2 HOLE FOR POSITIVE RETENTION SCREW.
- △3 DASH NUMBERS INDICATE KEY ORIENTATION (P/N 1-1410353-2 SHOWN ON DRAWING)
- △4 GROUND PAD Ø5mm ON BOTH SIDE OF PCB.
- △5 FINISH: SILVER OVER NICKEL OVER COPPER
- △6 CONTACT FINISH: 3.81µm MINIMUM SILVER IN CONTACT AREA OVER 1.27µm MINIMUM NICKEL ALL OVER
- △7 GUIDE MODULE W/O KEYING; GUIDE PIN 1410354 SERIES MUST BE ORIENTED TO PROVIDE PROPER ESD PERFORMANCE



THIS DRAWING IS A CONTROLLED DOCUMENT.		DWN B. CARBO 04AUG2011	TE Connectivity	
DIMENSIONS: mm		CHK A. SHARPE 04AUG2011		
TOLERANCES UNLESS OTHERWISE SPECIFIED:		APVD A. SHARPE 04AUG2011	NAME ASSEMBLY, GUIDE MODULE/STANDOFF, RIGHT ANGLE, 20.3mm, DAUGHTERCARD, MULTIGIG	
0 PLC ±		PRODUCT SPEC 108-2072	SIZE CAGE CODE DRAWING NO	
1 PLC ±0.5		APPLICATION SPEC 114-13056	A200779C-1410353	
2 PLC ±0.13		WEIGHT -	RESTRICTED TO -	
3 PLC ±0.01		CUSTOMER DRAWING	SCALE 4:1 SHEET OF REV A	
4 PLC ±0.0001				
ANGLES ±				
FINISH				