

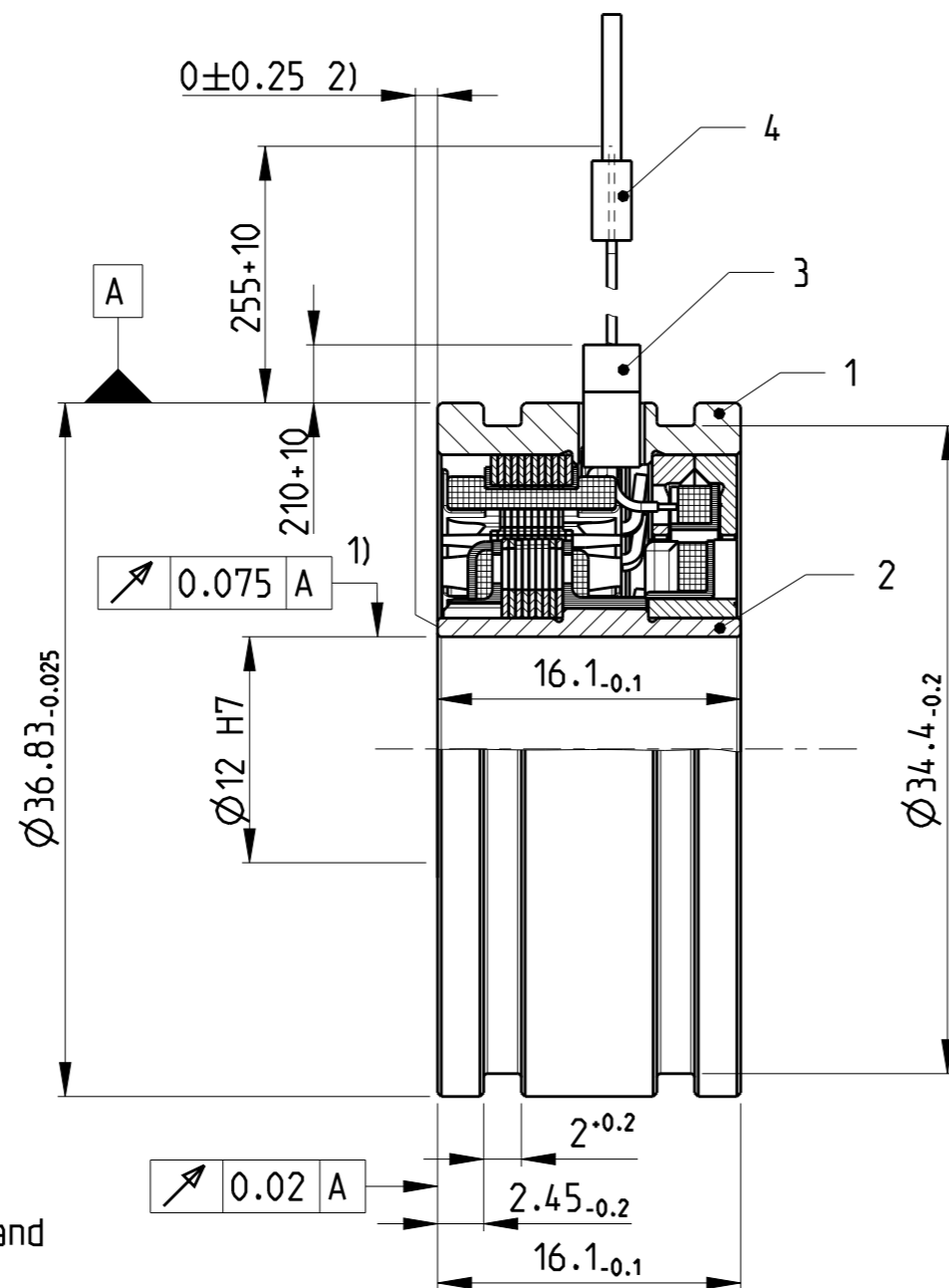
REVISIONS

P	LTR	DESCRIPTION	DATE	DWN	APVD
	A3	EXISTING CONTACTS SHOWN	28JAN2016	GCM	PL

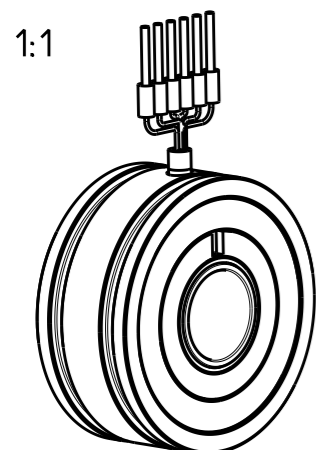
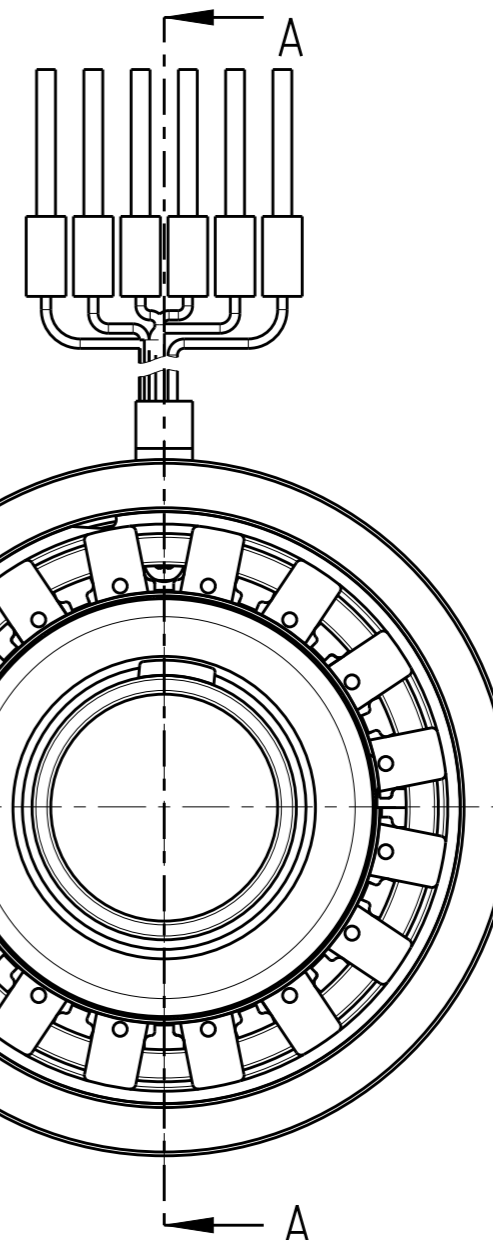
Signal	Aderfarbe
S1	rot
S2	gelb
S3	schwarz
S4	blau
R1	rot-weiss
R2	schwarz-weiss

12 H7 +0.018
0

A-A



AWG 26, Teflon isoliert



1) Gesamtschlag im eingebauten Zustand
2) Axialversatz

Ersetzt / replace V23401-S1401-C610

REVISION OF EACH ASSY NO. (WHEN BLANK, USE DWG. REVISION)	PARTNUMBER	DESCRIPTION	ITEM NO
-	6	966292-2	4
-	1	1-1824727-0	3
-	1	1-1824868-0	2
-	1	1-1824763-0	1
PARTS LIST			

THIS DRAWING IS A CONTROLLED DOCUMENT.

DIMENSIONS:	TOLERANCES UNLESS OTHERWISE SPECIFIED:
mm	0 PLC ±
	1 PLC ±
	2 PLC ±
	3 PLC ±
	4 PLC ±
	ANGLES ±1°
MATERIAL	FINISH
-	-

DWN	Kraus	24NOV2005
CHK	Machado	05JUNI2007
APVD	Andrae	05JUNI2007
PRODUCT SPEC	-	-
APPLICATION SPEC	-	-
WEIGHT	-	-
CUSTOMER DRAWING		



NAME
Massbild Hohlwellendrehmelder Gr.15
Dimensional Drawing Resolver Sz.15
V23401-S1401-C610

SIZE	CAGE CODE	DRAWING NO	RESTRICTED TO
A3	00779	C-1-1414305-0	-
SCALE		SHEET	REV
5:2		1 OF 1	A3