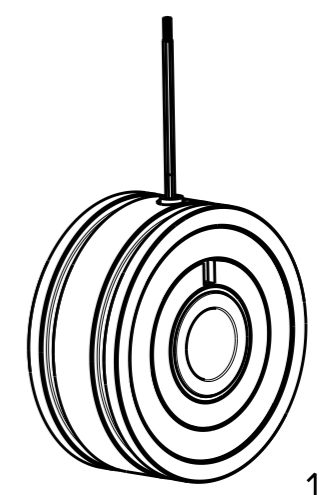
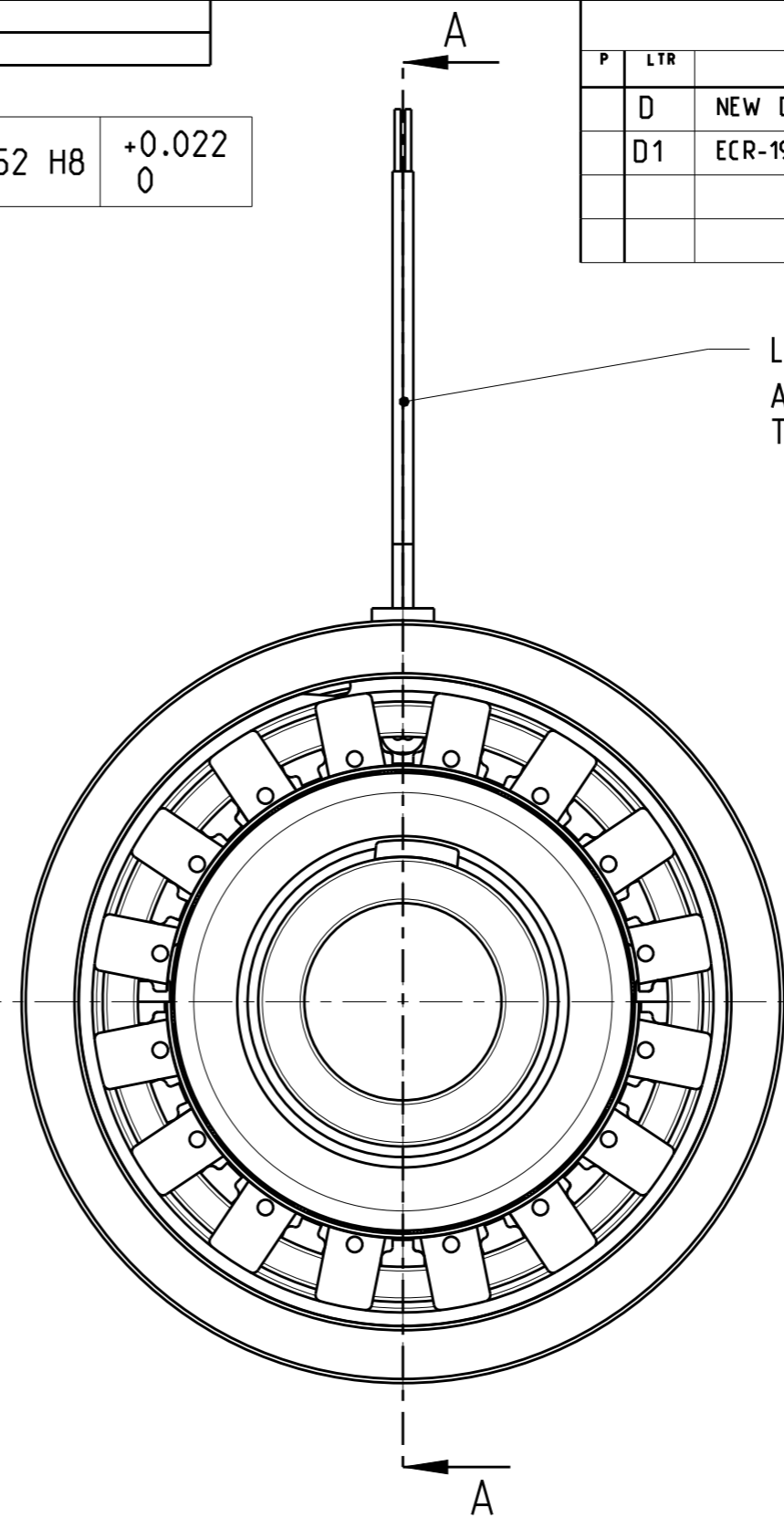
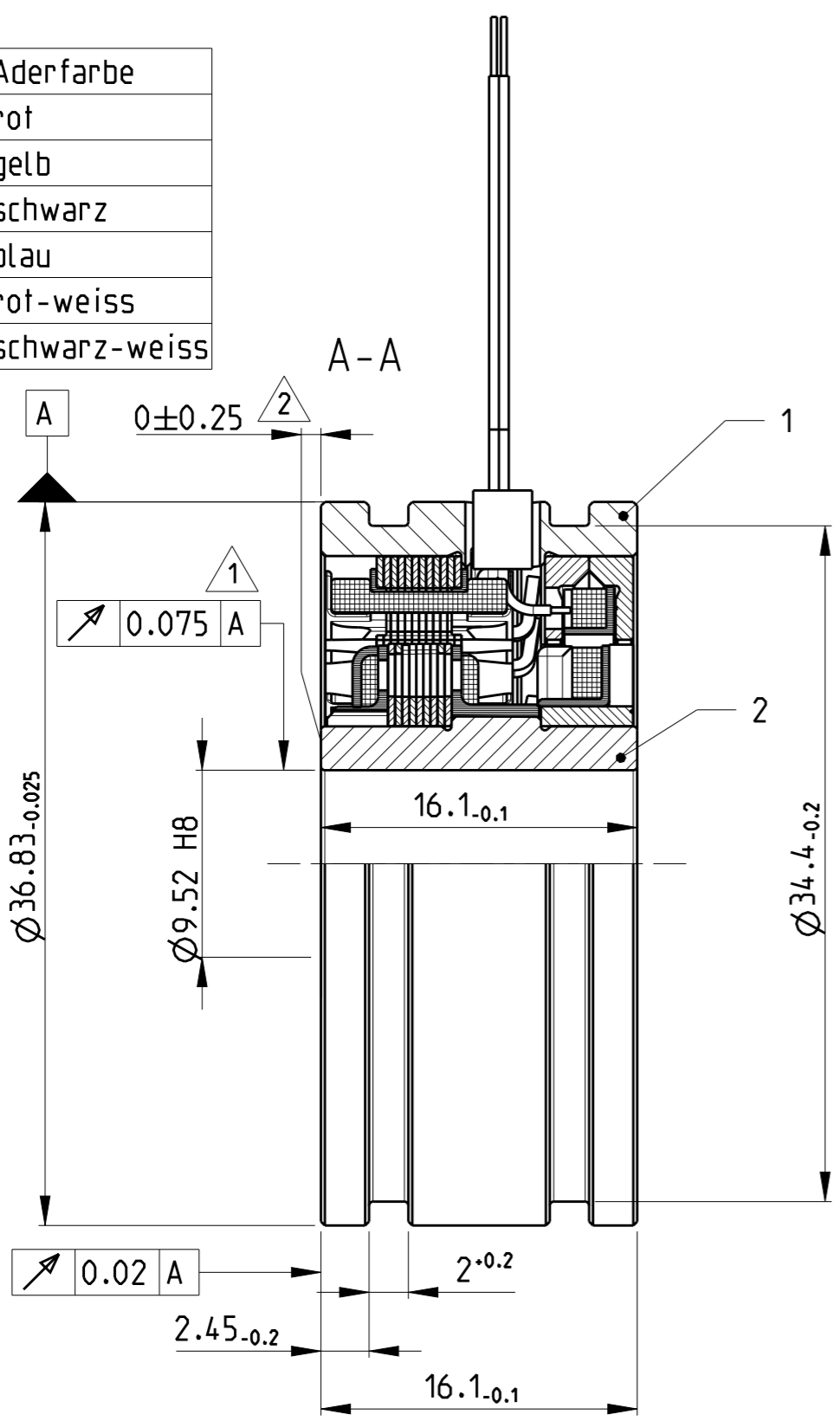


REVISIONS				
P	LTR	DESCRIPTION	DATE	APVD
D		NEW DRAWING	05 JUNE 2018	GK SB
D1		ECR-19-011771	25 JUL 2019	GK OD

Signal	Aderfarbe
S1	rot
S2	gelb
S3	schwarz
S4	blau
R1	rot-weiss
R2	schwarz-weiss

9.52 H8  
 $+0.022$   
 $0$

L=470+10  
 AWG 26.  
 Teflon isoliert



1 Gesamtschlag im eingebauten Zustand  
 2 Axialversatz

SIMILAR TO C23135-A291-A20

REVISION	REV NO	DESCRIPTION	ITEM NO
1	1	1-1824862-0 Rotor kpl. / Bauform B1 (12N)	2
1	1	1-1824763-0 Gehäuse kpl. / Bauform S1	1
1-1824950-0	PARTNUMBER	DESCRIPTION	ITEM NO
REVISION OF EACH ASSY NO. (WHEN BLANK, USE DWG. REVISION)			
PARTS LIST			

THIS DRAWING IS A CONTROLLED DOCUMENT.

DWN	GOPALAKRISHNA HV	05 JUNE 2018
CHK	SARFRAZ BILAL	05 JUNE 2018
APVD	ONDREJ DUSAN	05 JUNE 2018
PRODUCT SPEC		
APPLICATION SPEC		
WEIGHT		

**STE** TE Connectivity

NAME: Hohlwellendrehmelder / Gr.15 Bauform S1

SIZE	CAGE CODE	DRAWING NO	RESTRICTED TO
A3	00779	C-1824950	

CUSTOMER DRAWING SCALE 3:1 SHEET 1 OF 1 REV D1