

THIS DRAWING IS UNPUBLISHED.

RELEASED FOR PUBLICATION

2005

© COPYRIGHT 2005 BY -

ALL RIGHTS RESERVED.

REVISIONS

P	LTR	DESCRIPTION	DATE	DWN	APVD
	B2	INITIAL RELEASE	14 JAN2016	GCM	PL

Signal	Aderfarbe
S1	rot
S2	gelb
S3	schwarz
S4	blau
R1	rot-weiss
R2	gelb-weiss

A-A

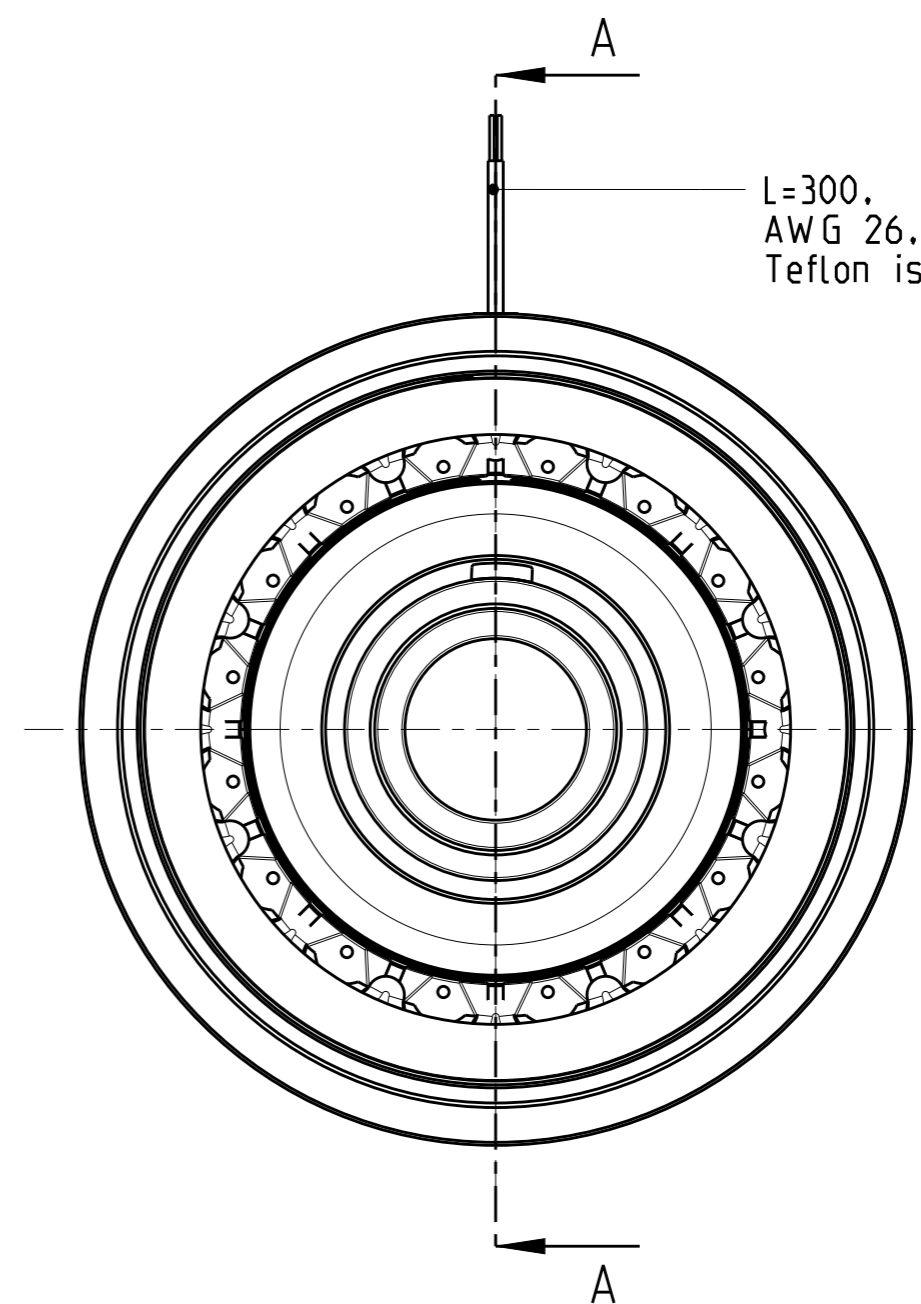
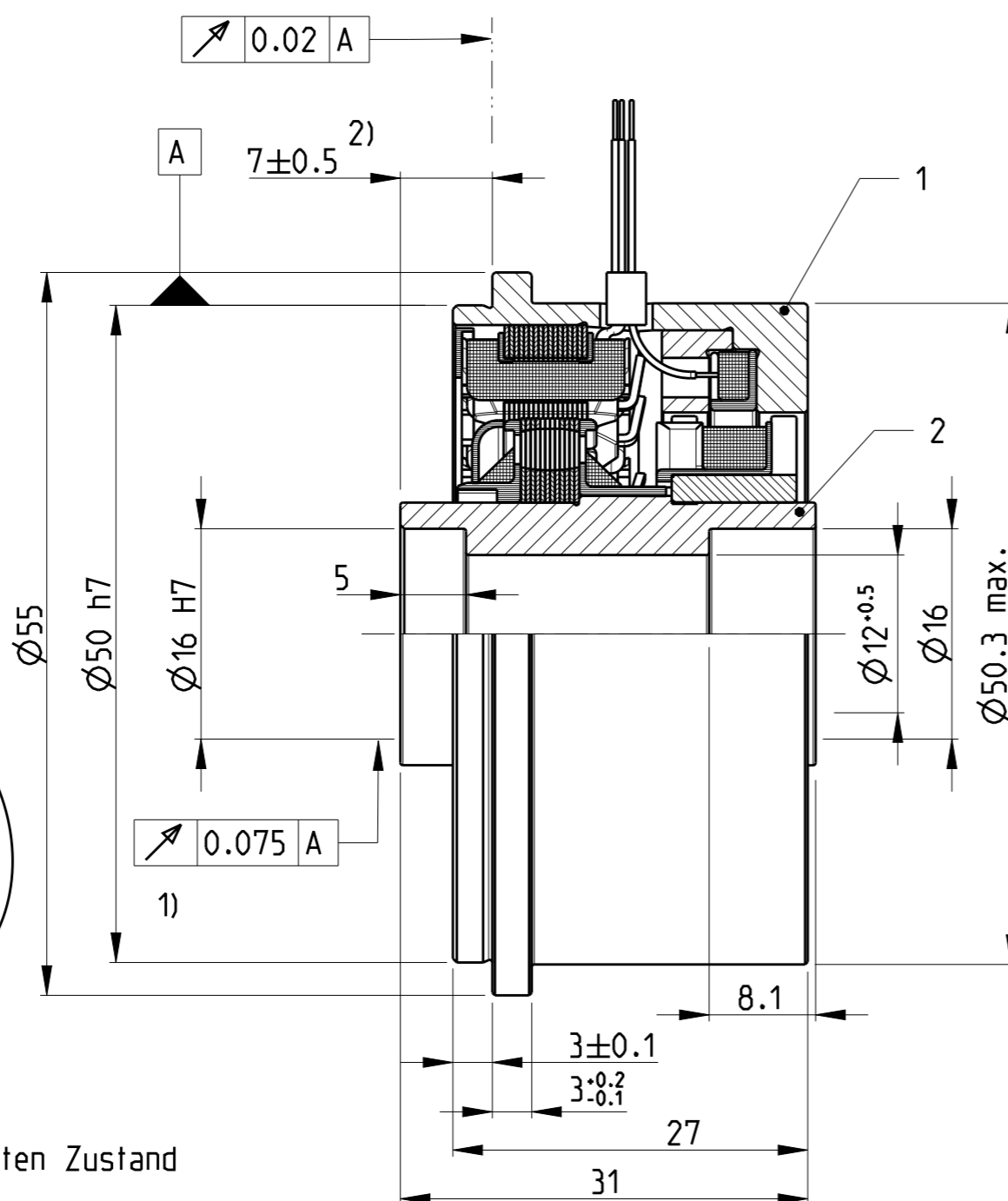
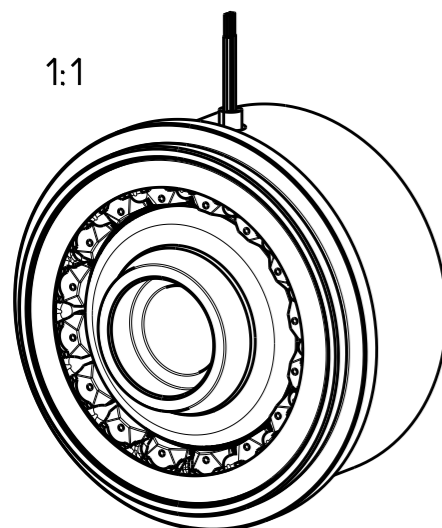
0.02 A

A 7±0.5<sup>2)</sup>

∅16H7	-0.018 0
∅50h7	0 -0.025

L=300.  
AWG 26.  
Teflon isoliert

1:1



- 1) Gesamtschlag im eingebauten Zustand
- 2) Axialversatz

Ersetzt / replace V23401-U2017-C333

ITEM NO	PARTNUMBER	DESCRIPTION	ITEM NO
1	1-1824386-0	Rotor kpl. / Bauform .. (12N)	2
1	1-1824220-0	Gehäuse kpl. / Bauform U2	1
1-1824518-0	PARTNUMBER	DESCRIPTION	ITEM NO
REVISION OF EACH ASSY NO. (WHEN BLANK, USE DWG. REVISION)			
PARTS LIST			

DIMENSIONS:		TOLERANCES UNLESS OTHERWISE SPECIFIED:	
mm			
0 PLC	±		
1 PLC	±		
2 PLC	±		
3 PLC	±		
4 PLC	±		
ANGLES	±		
FINISH			

DWN	GANESH	14 JAN2016
CHK	-	-
APVD	L. PIOTR	14 JAN2016
PRODUCT SPEC	-	-
APPLICATION SPEC	-	-
WEIGHT	-	-

<b>STE</b> TE Connectivity			
NAME Massbild Hohlwellendrehmelder Dimensional Drawing Resolver V23401-U2017-C333			
SIZE	CAGE CODE	DRAWING NO	RESTRICTED TO
A3	00779	C-1-1414651-0	-
CUSTOMER DRAWING		SCALE	SHEET
		2:1	1 OF 1
			REV B2