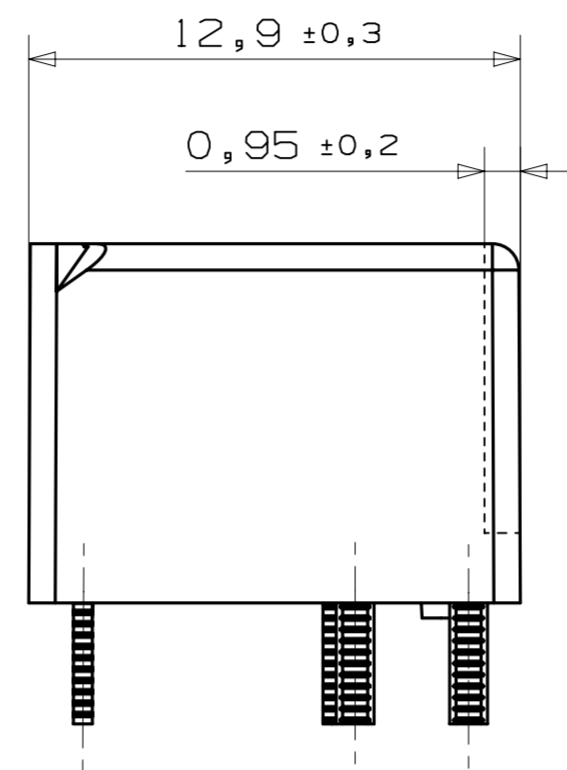
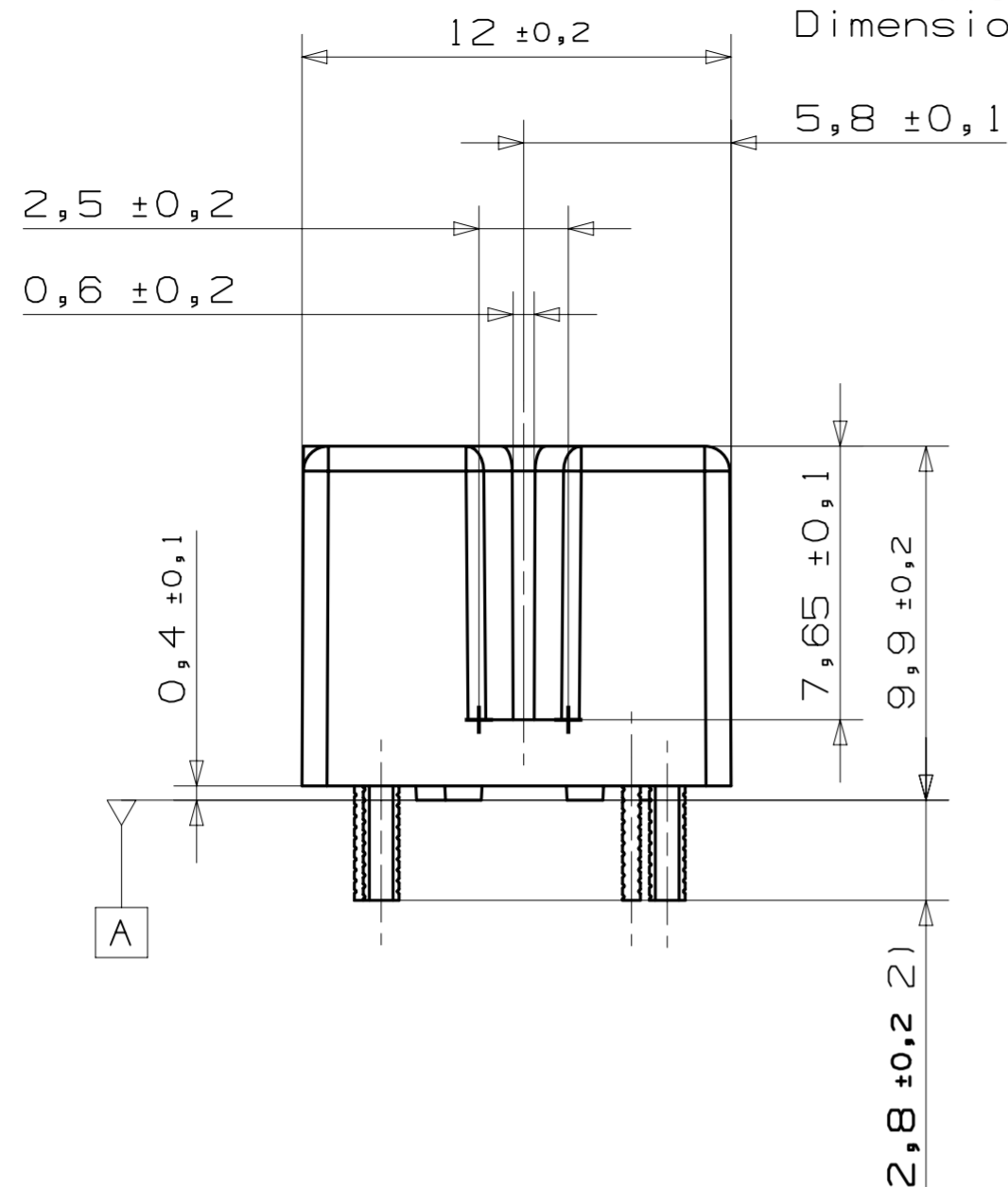
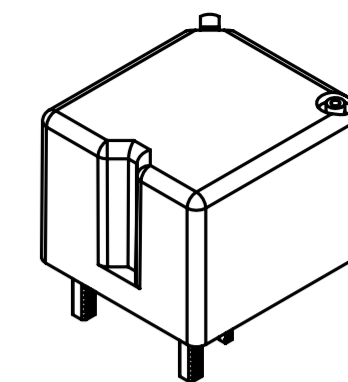


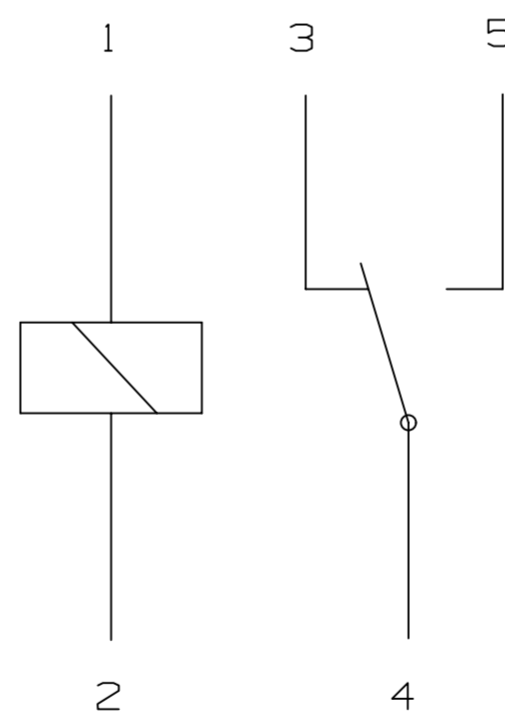
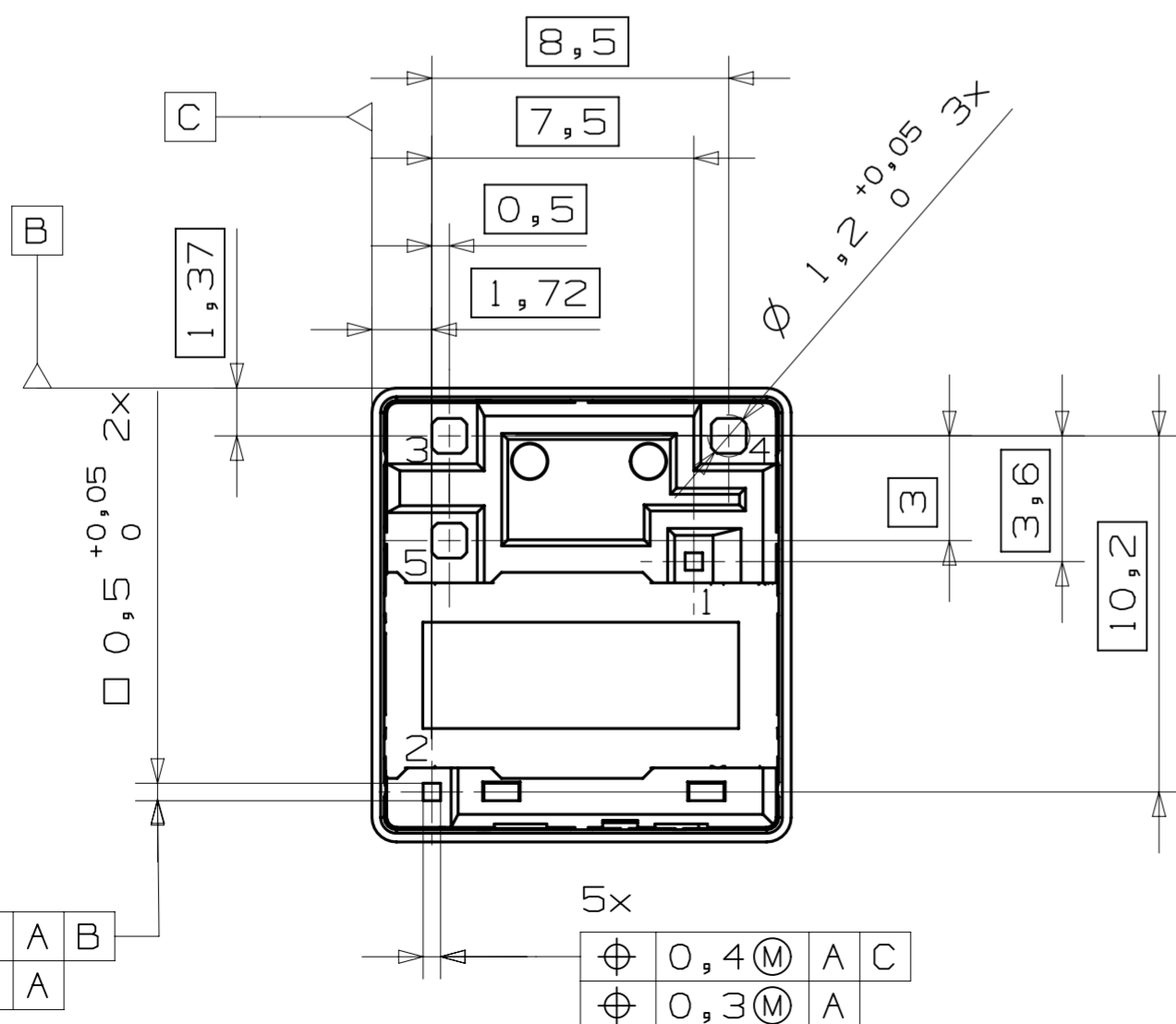
Massbild Wechsler  
Dimension drawing changeover-contact



Ansicht auf die Anschluesse  
View on the terminals

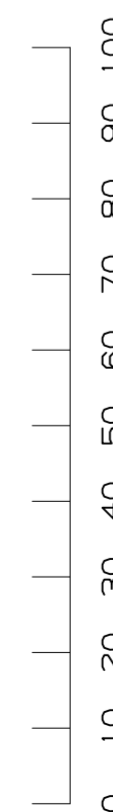
Schaltbild  
Circuit diagram

1393280-5	V23086C1001A402
2392358-1 3)	
1393280-6	V23086C1001A403
1-1414761-0 3)	
9-1416000-8	V23086C1001A502
9-1416000-0	V23086C1001X008
3-1904077-7	V23086C1001X045
1-1393280-0	V23086C1002A402
1-1393280-1	V23086C1002A403
6-1415005-4 3)	V23086C1002A803
2-1414987-3	
2-1904073-8	V23086C1004A403
8-1416000-7	V23086C1021A502
1-1414760-0 3)	
9-1416000-3	V23086C1021X011
2-1904093-1	V23086C1051A502
1-1393280-3	V23086G1001A403
6-1414892-7	V23086G1501X028
PART NUMBER	DESCRIPTION



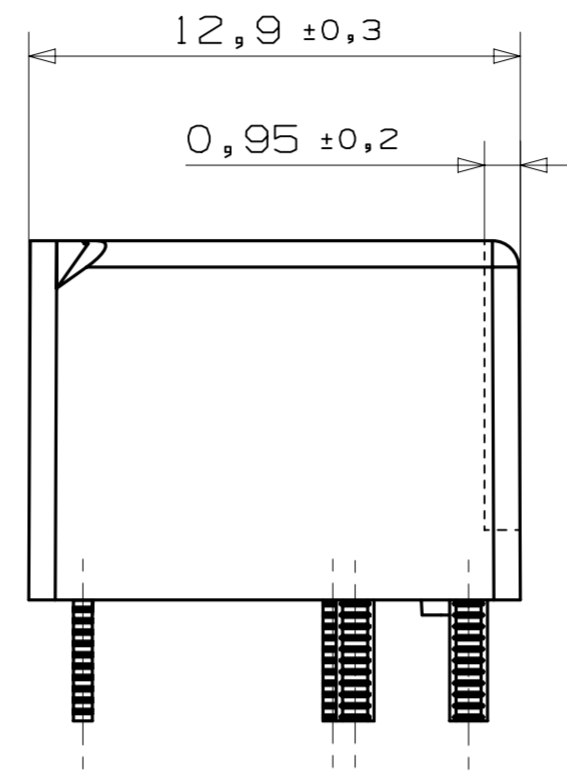
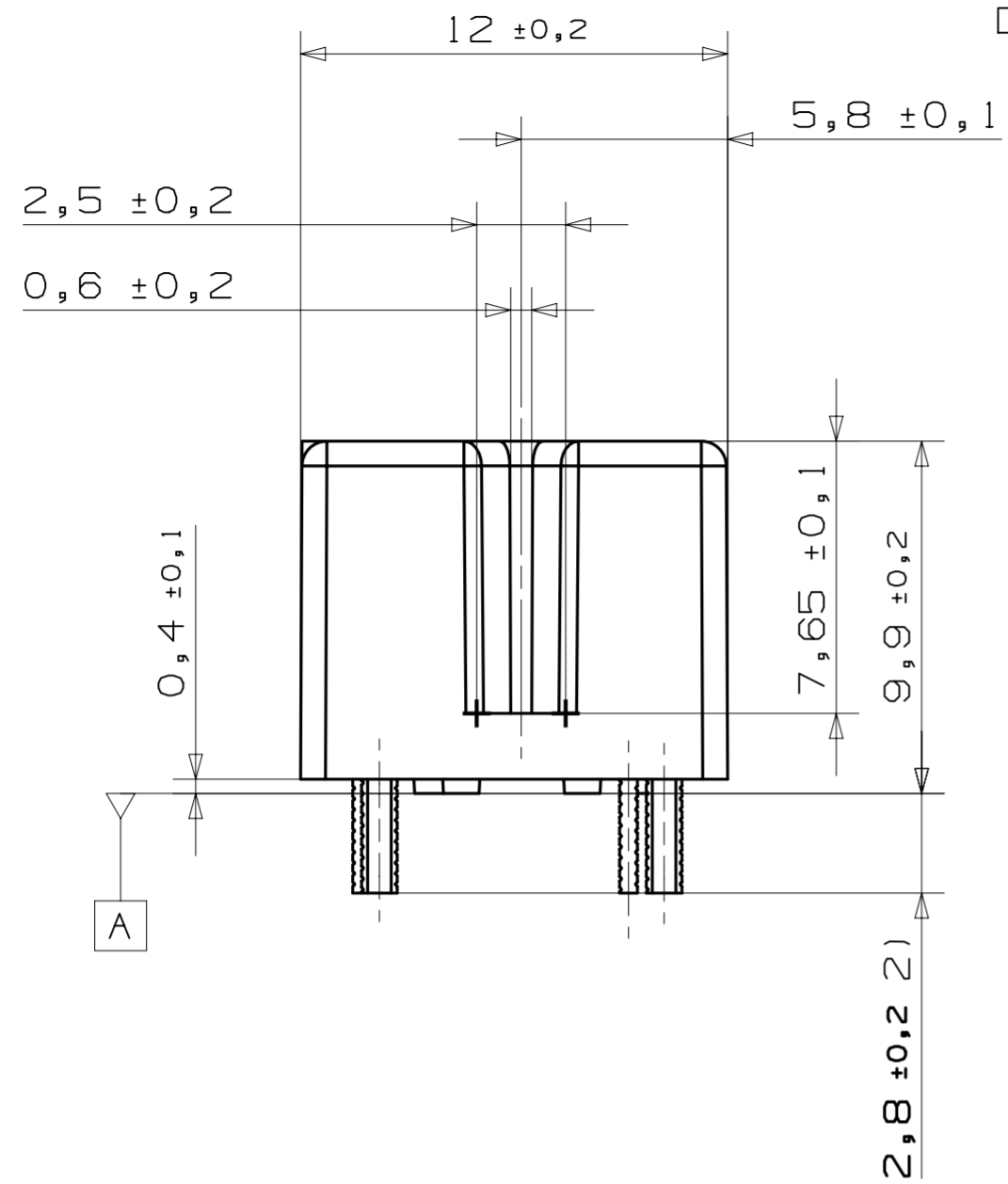
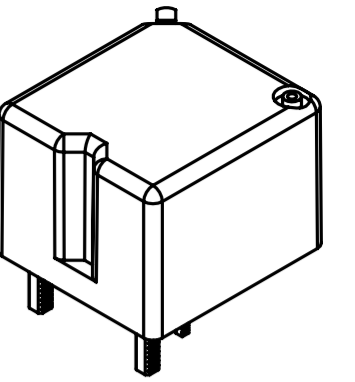
- 1) fuer Ebenheit und Geradheit  
ISO 2768 - L
- 2) Pinlaenge ohne Verzinnung  
mit Verzinnung max. 3,8mm
- 3) verstaerkte Verpackung

- 1) for flatness and straightness  
ISO 2768 - L
- 2) Length of terminal without tin  
with tin max. 3,8mm
- 3) Reinforced packaging

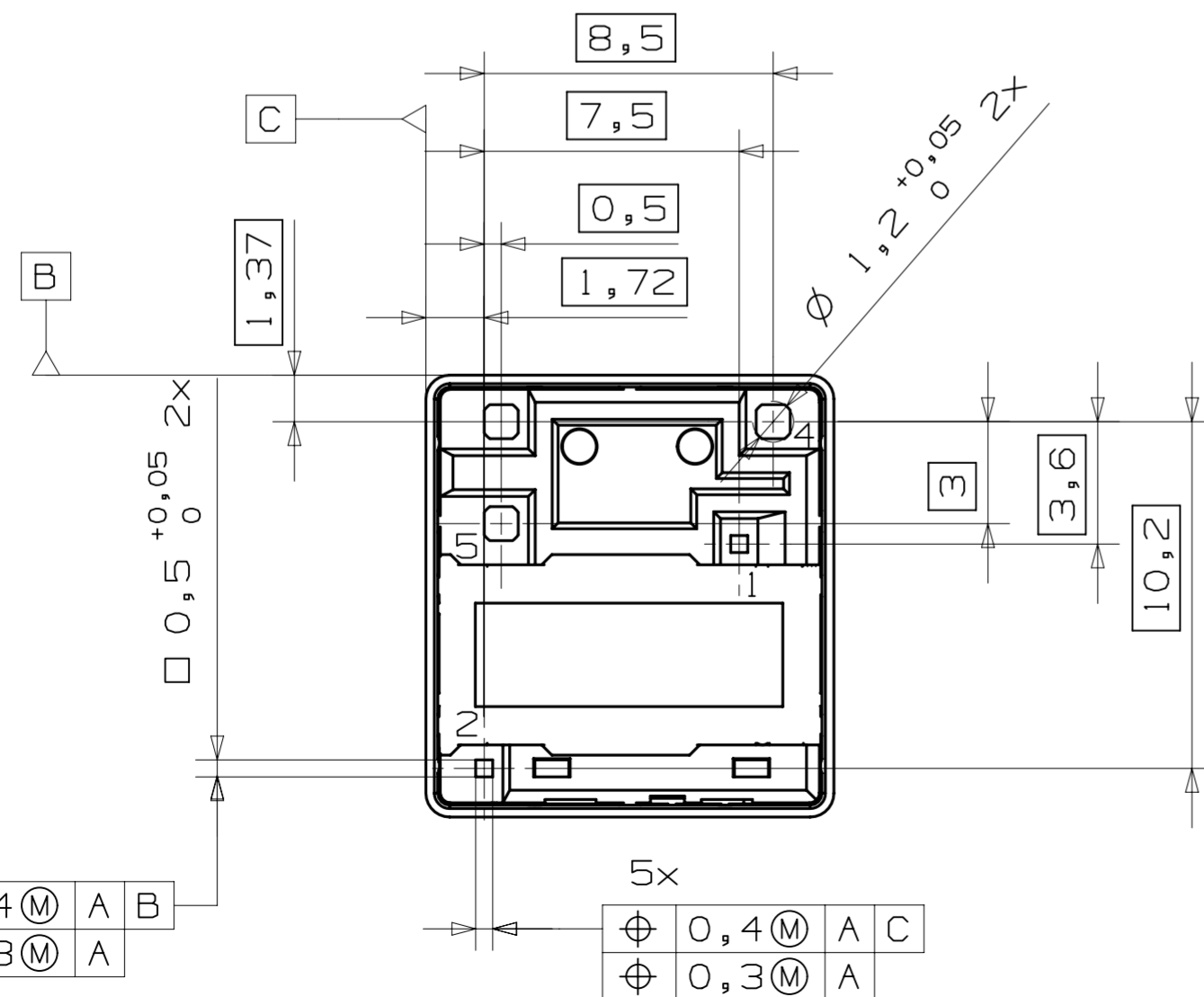


PROPRIETARY THE REPRODUCTION, TRANSMISSION OR USE OF THIS DOCUMENT OR IT'S CONTENTS IS NOT PERMITTED WITHOUT EXPRESSED WRITTEN AUTHORITY. OFFENDERS WILL BE LIABLE FOR ALL DAMAGES. ALL RIGHTS, INCLUDING RIGHTS CREATED BY REGISTERED PATENT(S) GRANTED FOR A UTILITY MODEL OR DESIGN, ARE RESERVED.				CHANGES TO THIS DRAWING MUST BE DONE ONLY IN CAD		PAPER SIZE <b>A2</b>	
APPLICABLE SPEC.:				FINISH			
DIMENSIONS UNLESS SPECIFIED OTHERWISE ISO 2768 mH 1)				DIMENSIONS IN MM		SCALE <b>5:1</b>	
DATE 97-10-23 NAME Reiss				PLATING		WEIGHT <b>ca. 4g</b>	
LOCATION Bln-P				MATERIAL			
PART NAME <b>MicroK THT</b> <b>Dimension drawing</b>				DWG NO. <b>C23303-A0086-A001-CD</b>			
REV. CHANGE ORDER DATE APP.				SHT. <b>1</b> OF 2		DATE 2006-06-28 APP.	

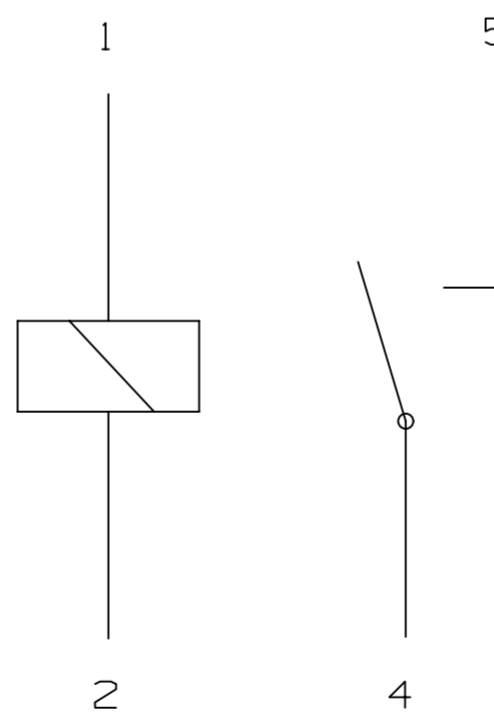
Massbild Schliesser  
Dimension drawing make-contact



Ansicht auf die Anschluesse  
View on the terminals

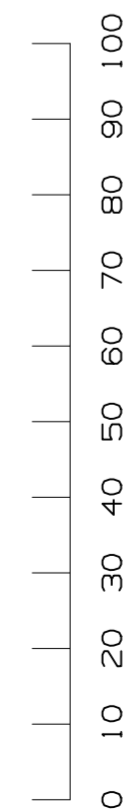


Schaltbild  
Circuit diagram



- 1) fuer Ebenheit und Geradheit  
ISO 2768 - L
- 2) Pinlaenge ohne Verzinnung  
mit Verzinnung max. 3,8mm

- 1) for flatness and straightness  
ISO 2768 - L
- 2) Length of terminal without tin  
with tin max. 3,8mm



PROPRIETARY THE REPRODUCTION, TRANSMISSION OR USE OF THIS DOCUMENT OR IT'S CONTENTS IS NOT PERMITTED WITHOUT EXPRESSED WRITTEN AUTHORITY. OFFENDERS WILL BE LIABLE FOR ALL DAMAGES. ALL RIGHTS, INCLUDING RIGHTS CREATED BY REGISTERED PATENT(S) GRANTED FOR A UTILITY MODEL OR DESIGN, ARE RESERVED.				CHANGES TO THIS DRAWING MUST BE DONE ONLY IN CAD		PAPER SIZE <b>A2</b>	
APPLICABLE SPEC.:				FINISH			
DIMENSIONS UNLESS SPECIFIED OTHERWISE ISO 2768-f mH 11				DIMENSIONS IN MM		SCALE <b>5:1</b> WEIGHT <b>ca. 4g</b>	
DATE 97-10-23 NAME Reiss				PART NAME <b>MicroK THT</b> <b>Dimension drawing</b>			
B4 ECN-21-127863 23NOV2021 JFai DWN.				B3 ECO-12-017225 26SEP2012 JFai APP.			
B2 ECO-08-027644 2008-11-06 JFai REV.				B1 ECO-07-012552 2007-05-29 JFai LOCATION Bin-P			
B ECO-06-028631 2006-12-07 ASCH				A Migration 2006-06-30 ASCH			
04 WE06/A177 2006-06-28 ASCH				REV. CHANGE ORDER DATE APP.			
				DWG NO. <b>C23303-A0086-A001-CD</b>		SHT. <b>2</b> OF 2	