

THIS DRAWING IS UNPUBLISHED.

RELEASED FOR PUBLICATION

20

© COPYRIGHT 20 BY -

ALL RIGHTS RESERVED.

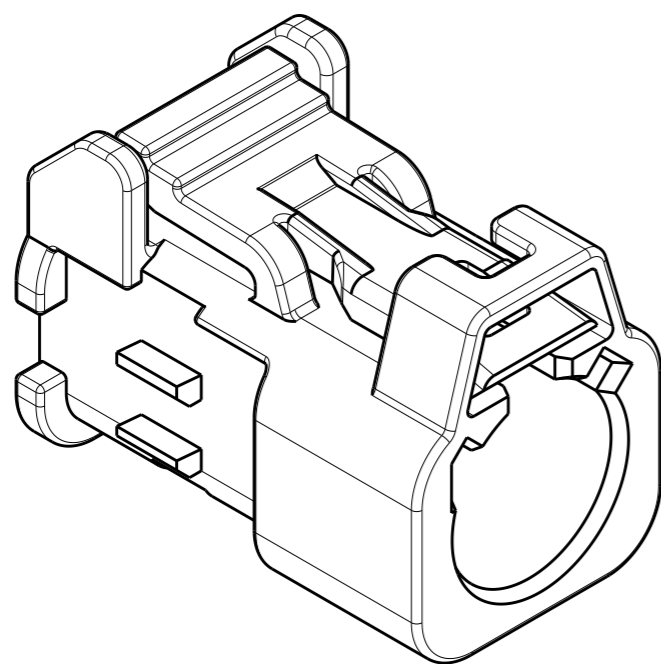
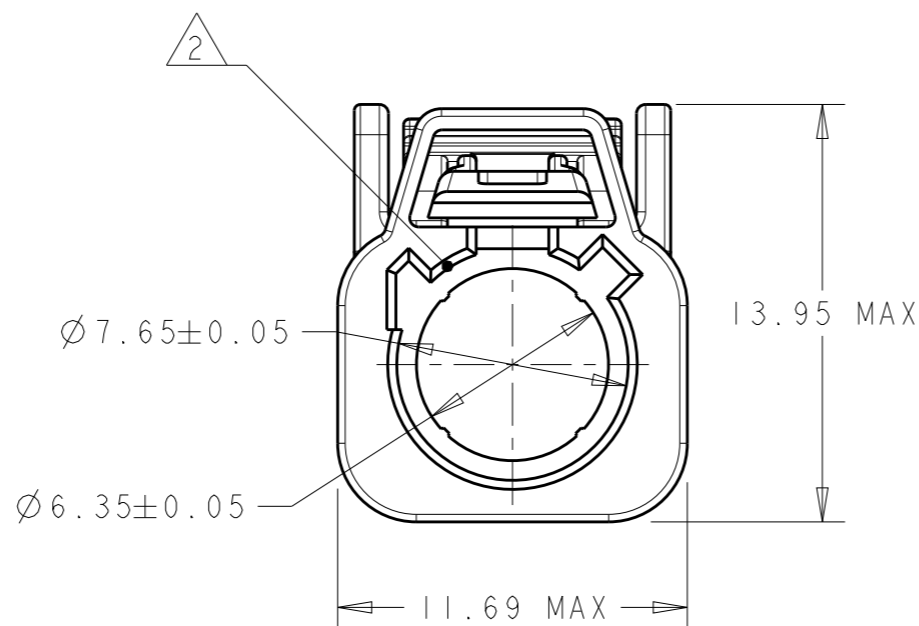
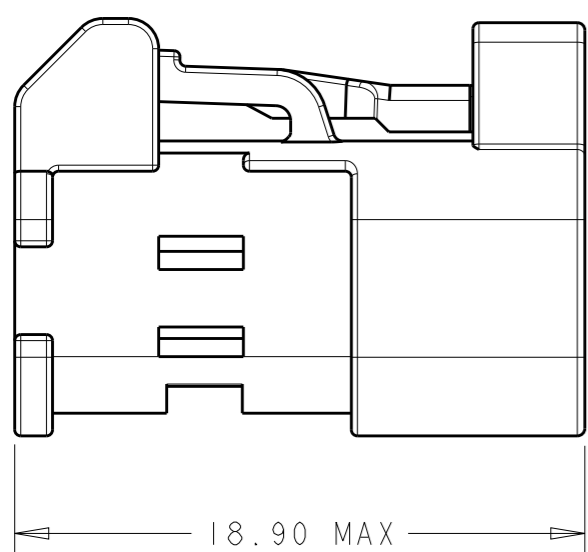
REVISIONS

P	LTR	DESCRIPTION	DATE	DWN	APVD
D1		REVISED PER ECO-15-015026	19OCT2015	DD	LV
D2		REVISED PER ECO-16-005357	06APR2016	DD	LV
D3		ECO-20-011767	02SEP2020	KP	MB

1 POLYESTER PBT, COLOR: SEE TABLE.

2 PLUG HOUSING ACCEPTS JACK HOUSINGS MEETING DIN 72594-1, ROAD VEHICLES - RADIO FREQUENCY INTERFACE - DIMENSIONS AND ELECTRICAL REQUIREMENTS.

3. SEE INSTRUCTION SHEET 408-10028.



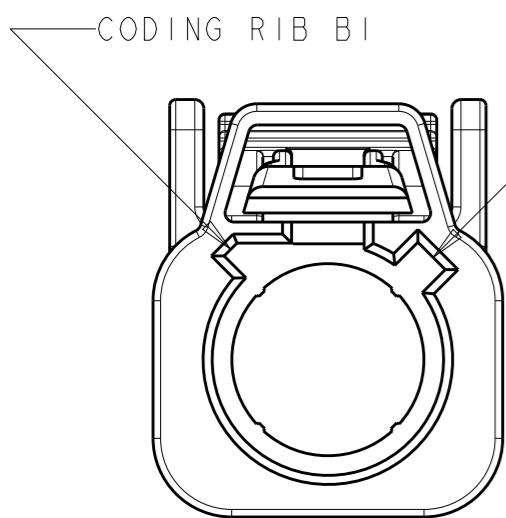
ISOMETRIC VIEW

PER DETAIL M	M	PASTEL ORANGE	1-1438893-2
PER DETAIL K	K	CURRY	1-1438893-0
PER DETAIL I	I	BEIGE	1438893-9
PER DETAIL H	H	HEATHER VIOLET	1438893-8
PER DETAIL G	G	BLUE GRAY	1438893-7
PER DETAIL F	F	NUT BROWN	1438893-6
PER DETAIL E	E	LEAF GREEN	1438893-5
PER DETAIL D	D	CLARET VIOLET	1438893-4
PER DETAIL C	C	SIGNAL BLUE	1438893-3
PER DETAIL B	B	SIGNAL WHITE	1438893-2
PER DETAIL A	A	JET BLACK	1438893-1
KEYING	CODING REF	HOUSING COLOR	PART NUMBER

THIS DRAWING IS A CONTROLLED DOCUMENT.		DWN D. J. HARDY 04JAN2006	<b>TE Connectivity</b>	
DIMENSIONS: mm		CHK J. W. HALL 05JAN2006		
TOLERANCES UNLESS OTHERWISE SPECIFIED:		APVD J. W. HALL 05JAN2006		
0 PLC ±- 1 PLC ±- 2 PLC ±- 3 PLC ±- 4 PLC ±- ANGLES ±-		PRODUCT SPEC -		
MATERIAL -		FINISH -	NAME PLUG HOUSING, 1 POSITION, FAKRA, SMB	
-		1	APPLICATION SPEC 114-13157	
-		1	WEIGHT -	
-		1	SIZE A3	
-		1	CAGE CODE 00779	
-		1	DRAWING NO 1438893	
-		1	RESTRICTED TO -	
-		1	SCALE 4:1	
-		1	SHEET 1 OF 3	
-		1	REV D3	
-		1	CUSTOMER DRAWING	

REVISIONS

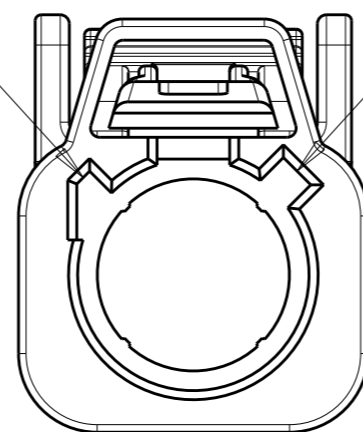
P	LTR	DESCRIPTION	DATE	DWN	APVD
-	-	SEE SHEET 1	-	-	-



DETAIL A

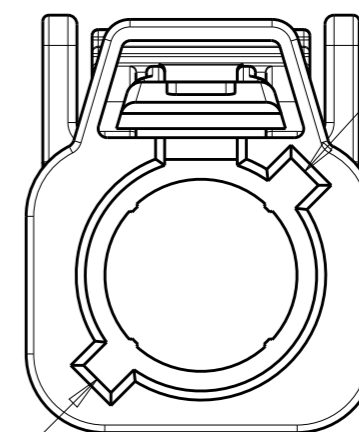
CODING RIB A

CODING RIB B2



DETAIL B

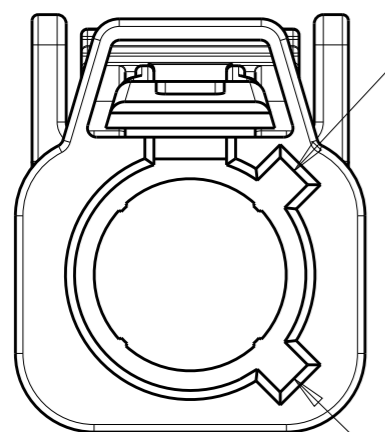
CODING RIB A



DETAIL C

CODING RIB C

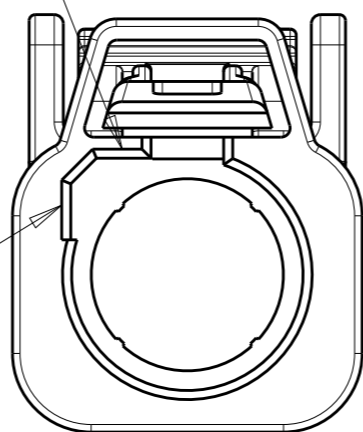
CODING RIB A



DETAIL D

CODING RIB A

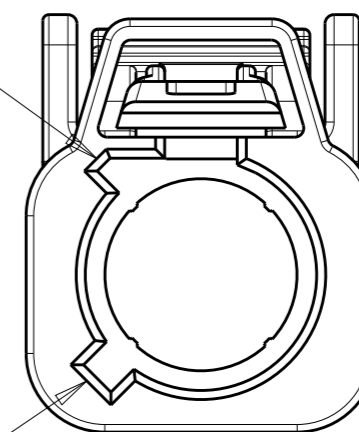
CODING RIB B1



DETAIL E

CODING RIB B2

CODING RIB B1



DETAIL F

CODING RIB C

CODING RIB D

THIS DRAWING IS A CONTROLLED DOCUMENT.

DWN 04JAN2006  
D. J. HARDY  
CHK 05JAN2006  
J. W. HALL  
APVD 05JAN2006  
J. W. HALL



NAME  
PLUG HOUSING,  
1 POSITION, FAKRA, SMB

DIMENSIONS: mm	TOLERANCES UNLESS OTHERWISE SPECIFIED:
	0 PLC ± 1 PLC ± 2 PLC ± 3 PLC ± 4 PLC ± ANGLES ±
MATERIAL	FINISH
-	-

PRODUCT SPEC	-
APPLICATION SPEC	114-13157
WEIGHT	-
CUSTOMER DRAWING	

SIZE	CAGE CODE	DRAWING NO	RESTRICTED TO
A3	00779	C-1438893	-
SCALE		SHEET	REV
4:1		2 OF 3	D3