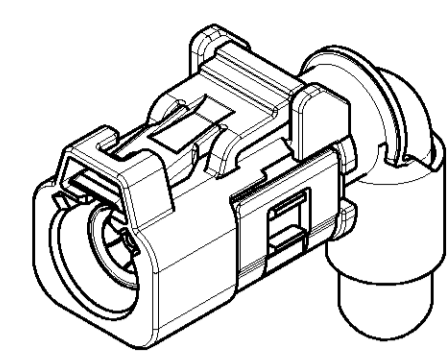
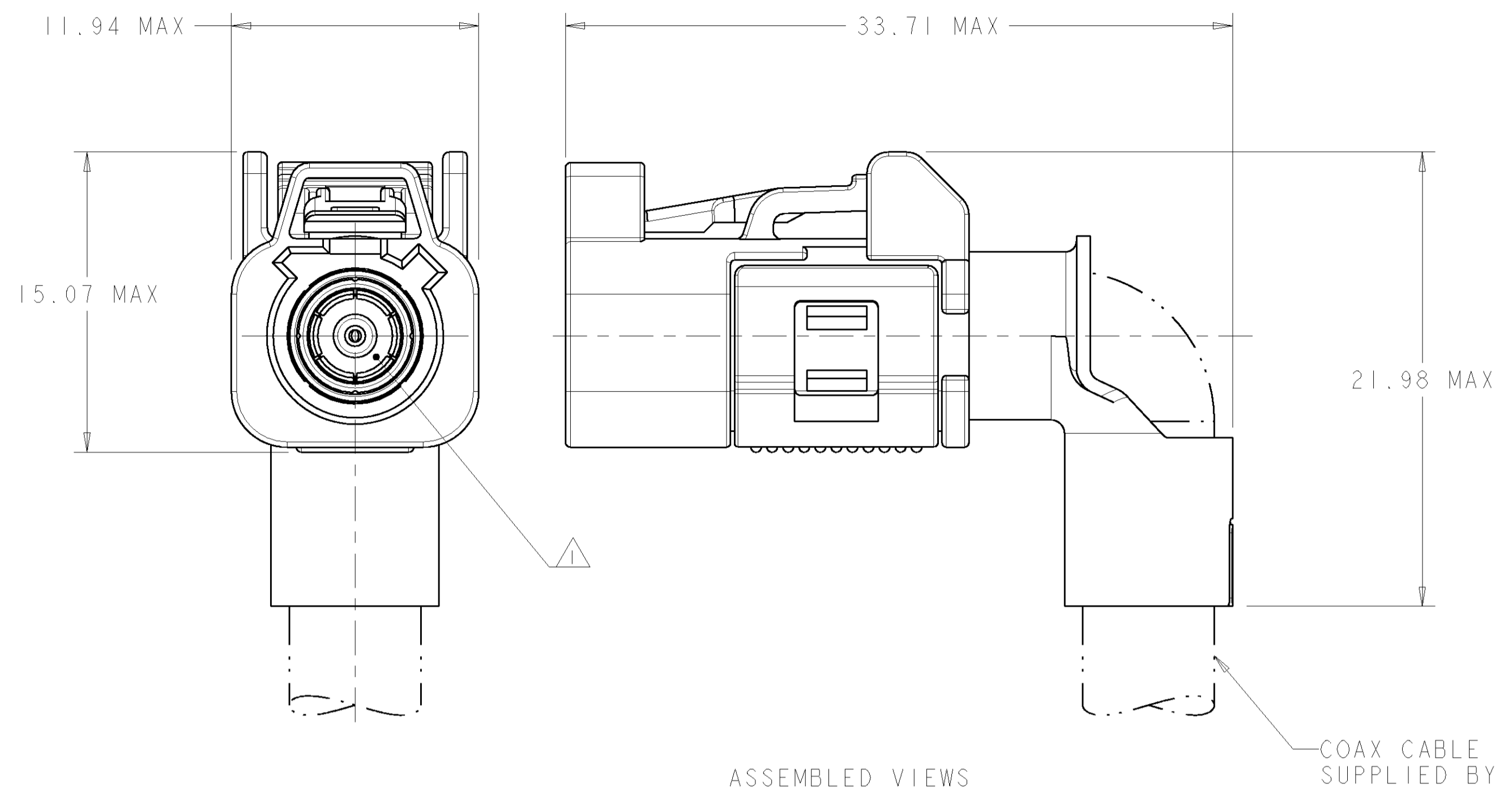
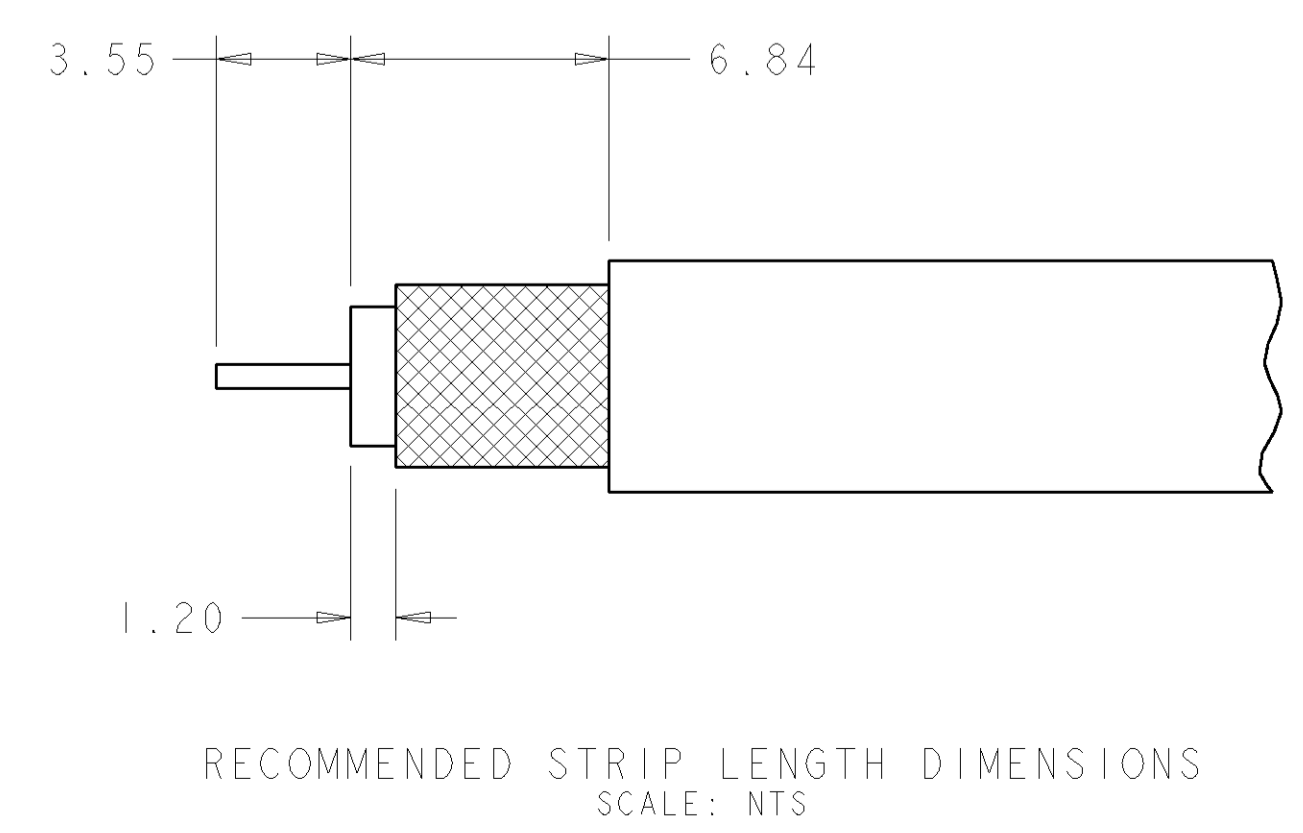
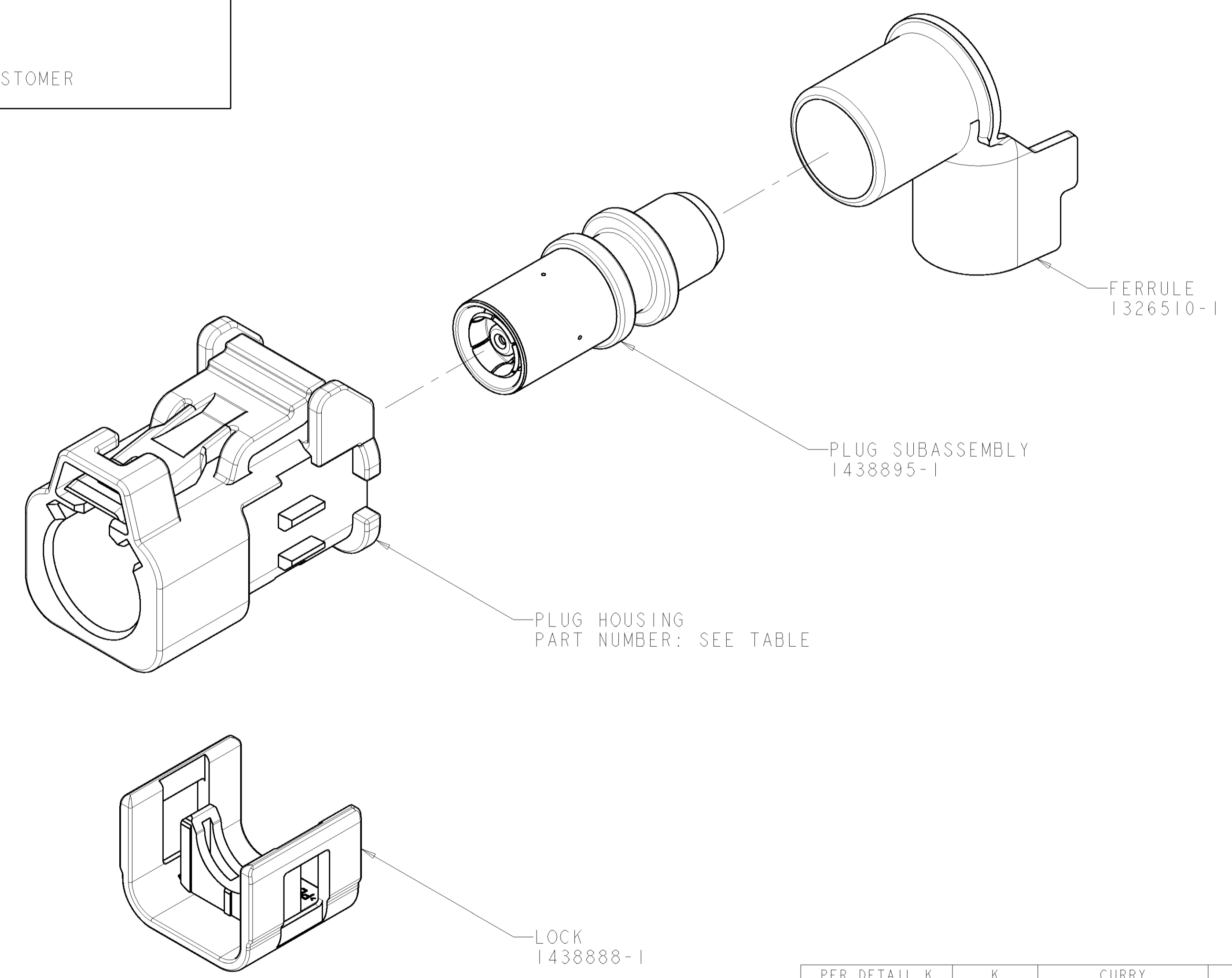


LOC	DIST	REVISIONS					
		P	LTR	DESCRIPTION	DATE	DWN	APVD
IN	00	A		RELEASED PER ECO-05-6684	29AUG2005	DJH	JMR
		B		REVISED PER ECO-05-15405	05DEC2005	DJH	JMR
		C		REVISED PER ECO-06-2101	13MAR2006	DJH	JMR



ISOMETRIC VIEW
SCALE 2:1

- ⚠ PLUG ACCEPTS JACKS MEETING DIN 72594-1, ROAD VEHICLES - RADIO FREQUENCY INTERFACE - DIMENSIONS AND ELECTRICAL REQUIREMENTS.
2. PLUG SUBASSEMBLY WILL ACCEPT RG-62 COAXIAL CABLE.
 3. SEE INSTRUCTION SHEET 408-10028.
 4. SPACER 1274233-2 MUST BE PURCHASED SEPERATELY.
 5. SOCKET CONTACT 1438896-4 MUST BE PURCHASED SEPERATELY.

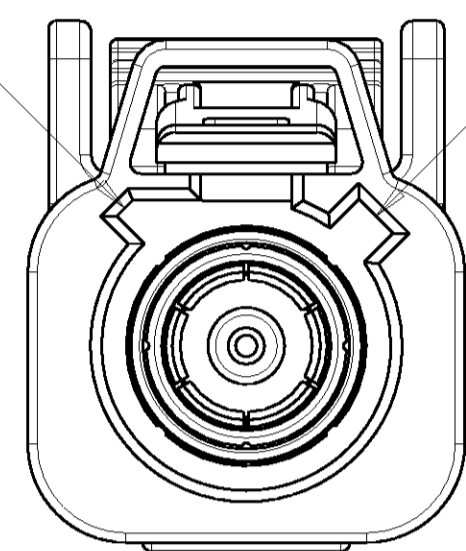


KEYING	KEY CODING	HOUSING COLOR	PLUG HOUSING PART NUMBER	PART NUMBER
PER DETAIL K	K	CURRY	1-1438893-0	1-1438904-0
PER DETAIL H	H	HEATHER VIOLET	1438893-8	1438904-8
PER DETAIL D	D	CLARET VIOLET	1438893-4	1438904-4
PER DETAIL C	C	SIGNAL BLUE	1438893-3	1438904-3
PER DETAIL B	B	SIGNAL WHITE	1438893-2	1438904-2
PER DETAIL A	A	JET BLACK	1438893-1	1438904-1

DIMENSIONS: mm 		TOLERANCES UNLESS OTHERWISE SPECIFIED: 0 PLC ± 1 PLC ±0.25 3 PLC ± 4 PLC ± ANGLES ± FINISH -		DWN D.J.HARDY 05JAN2005 CHK J.W.HALL 17JAN2005 APVD J.W.HALL 17JAN2005	Tyco Electronics Harrisburg, PA 17105-3608
MATERIAL - FINISH -		NAME PLUG KIT, UNASSEMBLED, 1 POSITION, RG-62, 90 DEGREE, FAKRA, SMB PRODUCT SPEC - APPLICATION SPEC - SIZE 114-13157 WEIGHT - CUSTOMER DRAWING		SCALE 5:1 SHEET 1 OF 2 REV C	

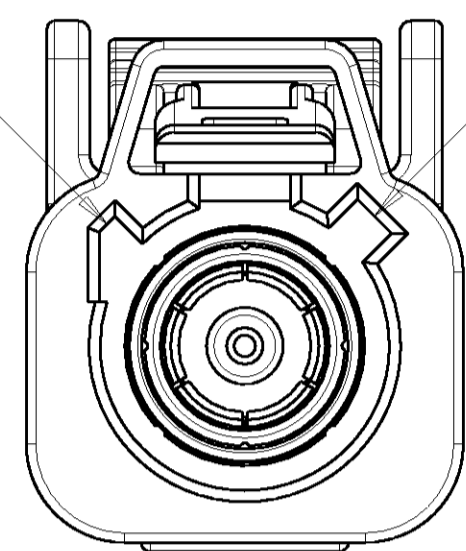
LOC		DIST		REVISIONS			
P	LTB	DESCRIPTION	DATE	DWN	APVD		
-	-	SEE SHEET 1	-	-	-		

CODING RIB B1 CODING RIB A



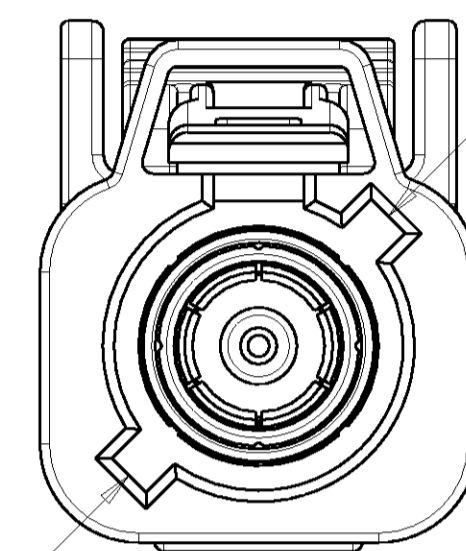
DETAIL A

CODING RIB B2 CODING RIB A



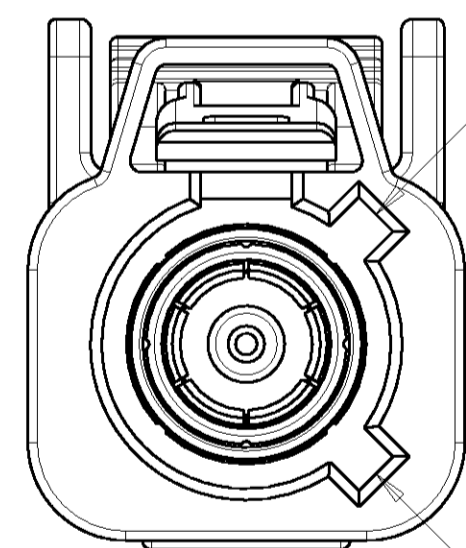
DETAIL B

CODING RIB C CODING RIB A



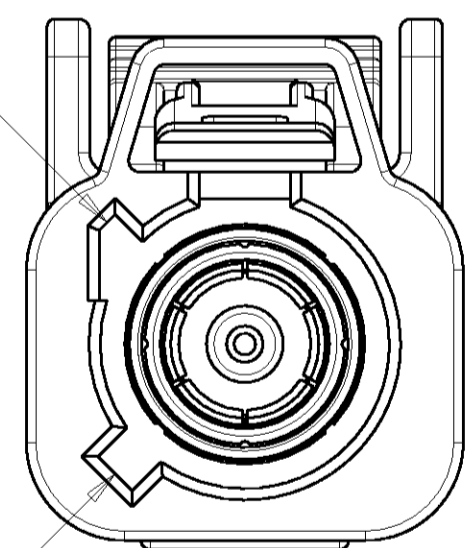
DETAIL C

CODING RIB A



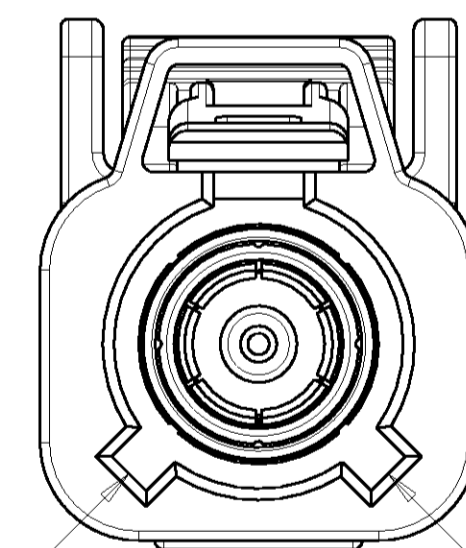
DETAIL D

CODING RIB B2 CODING RIB C



DETAIL H

CODING RIB C CODING RIB D



DETAIL K

<small>THE INFORMATION CONTAINED HEREIN IS UNCLASSIFIED EXCEPT WHERE SHOWN OTHERWISE. IT IS THE PROPERTY OF TYCO ELECTRONICS CORPORATION AND IS TO BE CONTAINED AND CONTROLLED BY THE USER'S ORGANIZATION UNLESS SO INDICATED BY THE USER'S ORGANIZATION.</small>		DWN D. J. HARDY 05JAN2005	Tyco Electronics Harrisburg, PA 17105-3608
<small>THIS DRAWING IS UNPUBLISHED. RELEASED FOR PUBLICATION BY TYCO ELECTRONICS CORPORATION. ALL RIGHTS RESERVED.</small>		CHK J. W. HALL 17JAN2005	
DIMENSIONS: mm		APVD J. W. HALL 17JAN2005	NAME PLUG KIT, UNASSEMBLED, 1 POSITION, RG-62, 90 DEGREE, FAKRA, SMB
TOLERANCES UNLESS OTHERWISE SPECIFIED: 0 PLC ± 1 PLC ± 2 PLC ±0.25 3 PLC ± 4 PLC ± ANGLES ± FINISH ±		PRODUCT SPEC APPLICATION SPEC WEIGHT CUSTOMER DRAWING	RESTRICTED TO A 00779 C=1438904
MATERIAL FINISH		SCALE 5:1	SHEET 2 OF 2 REV C