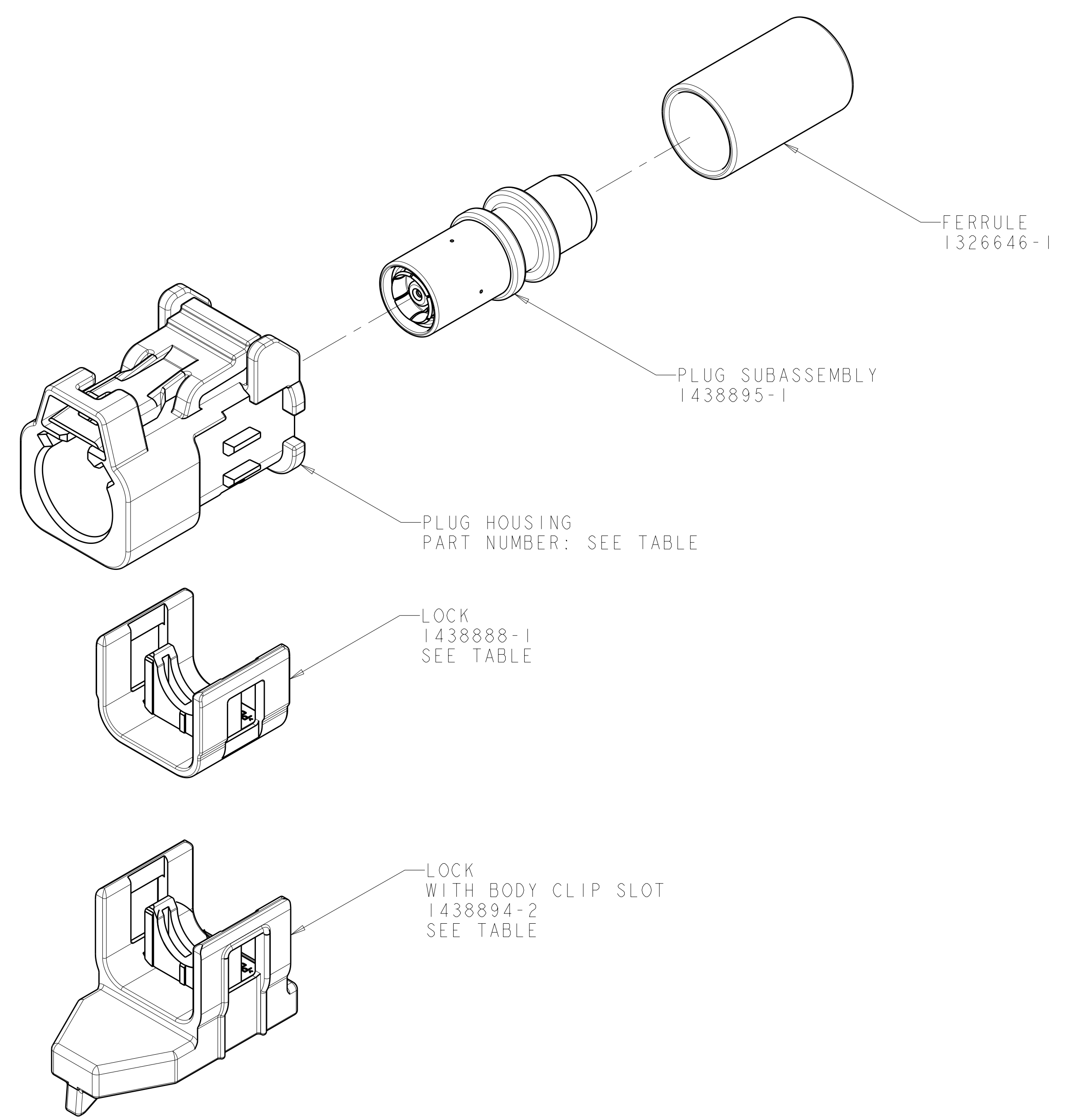
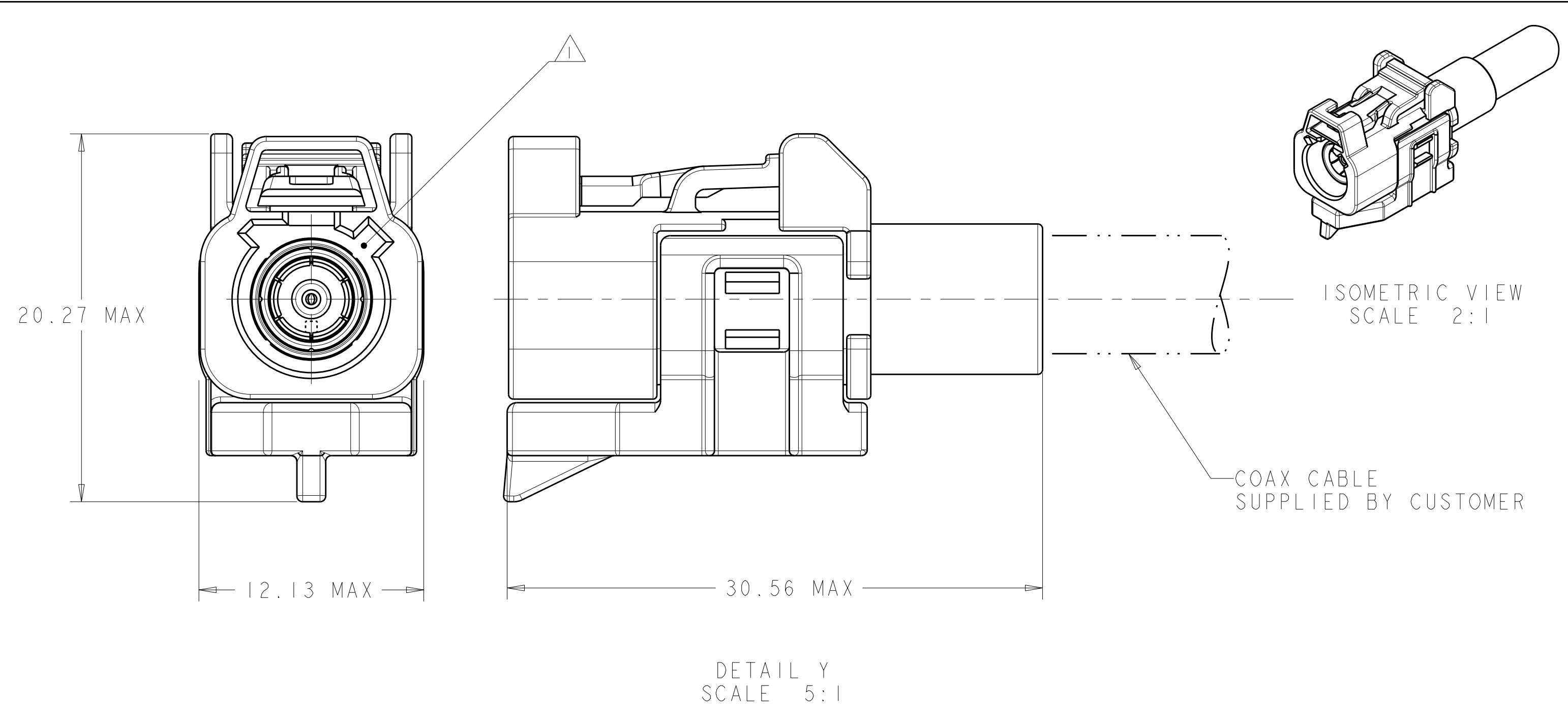
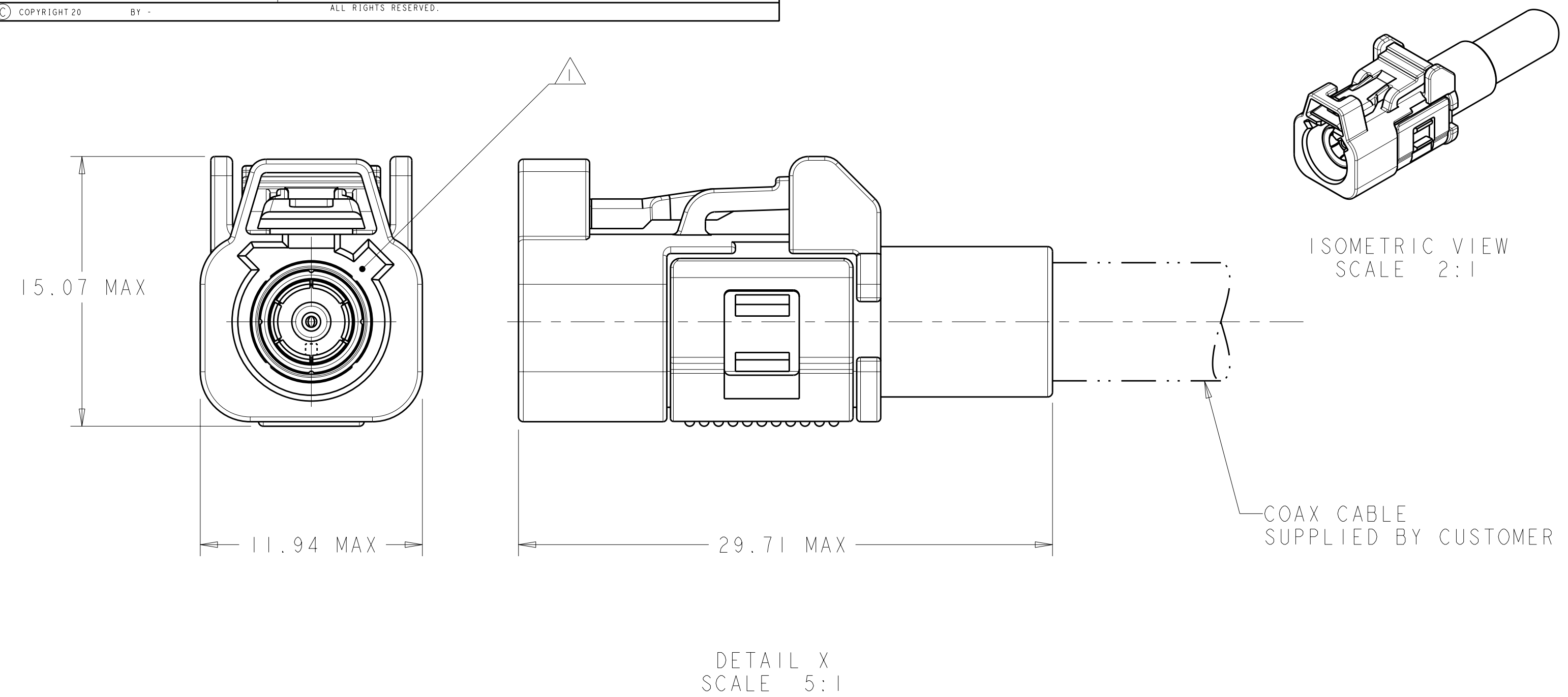
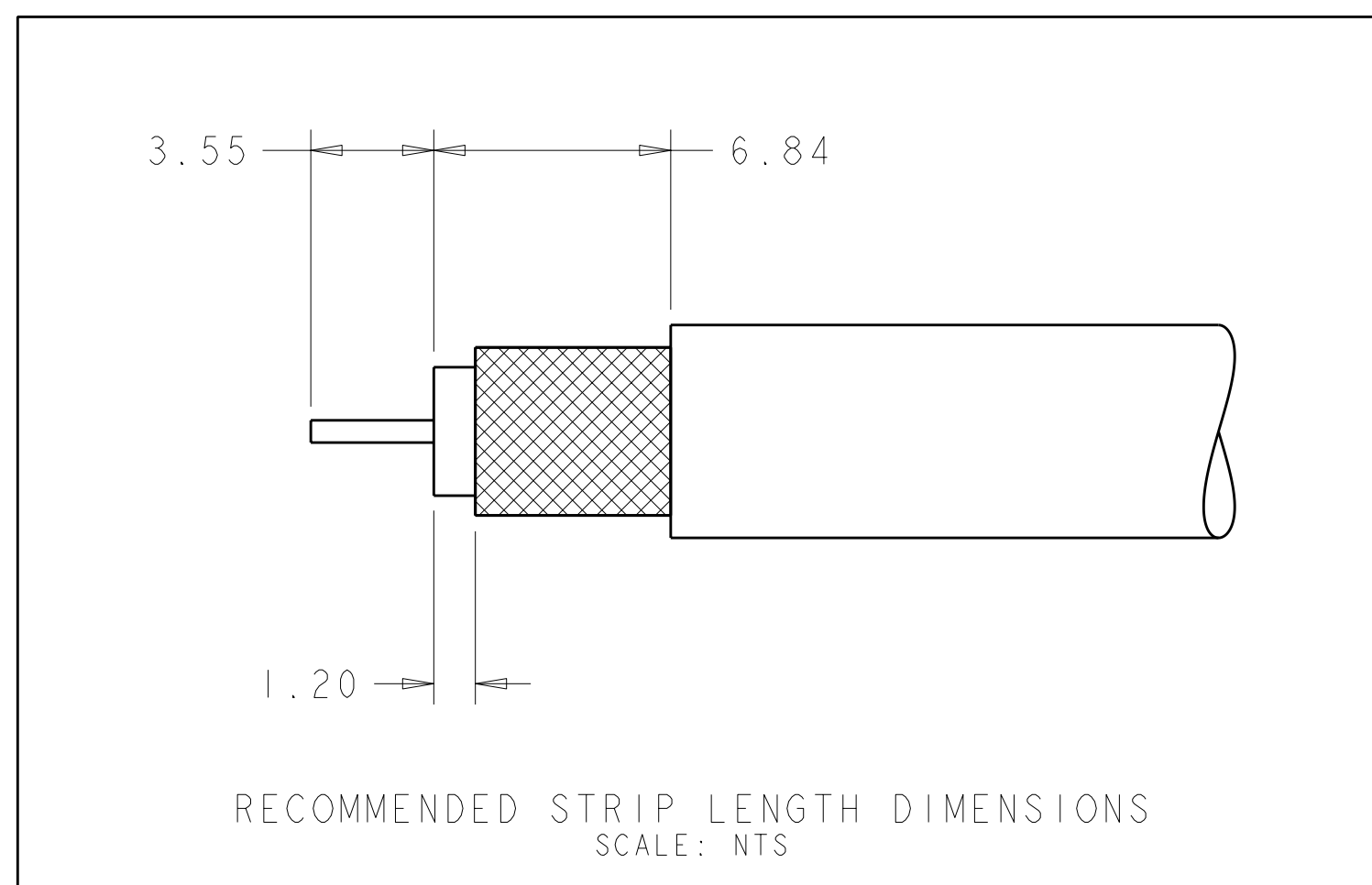


LOC	DIST	REV	DATE	BY	APPD
IN	00				
D			06 JUN 2007	AH	LV
D1			05 MAR 2012	KP	LV



⚠ PLUG ACCEPTS JACKS MEETING DIN 72594-1, ROAD VEHICLES - RADIO FREQUENCY INTERFACE - DIMENSIONS AND ELECTRICAL REQUIREMENTS.

2. PLUG SUBASSEMBLY WILL ACCEPT RG-62U/M COAXIAL CABLE.
3. SEE INSTRUCTION SHEET 408-10028.
4. SPACER 1274233-1 MUST BE PURCHASED SEPERATELY.
5. SOCKET CONTACT 1438896-6 MUST BE PURCHASED SEPERATELY.



PER DETAIL Y	PER DETAIL K	K	GRAY	1438894-2	CURRY	1-1438893-0	6-1438922-0
PER DETAIL Y	PER DETAIL H	H	GRAY	1438894-2	HEATHER VIOLET	1438893-8	5-1438922-8
PER DETAIL Y	PER DETAIL D	D	GRAY	1438894-2	CLARET VIOLET	1438893-4	5-1438922-4
PER DETAIL X	PER DETAIL C	C	GRAY	1438894-2	SIGNAL BLUE	1438893-3	5-1438922-3
PER DETAIL Y	PER DETAIL B	B	GRAY	1438894-2	SIGNAL WHITE	1438893-2	5-1438922-2
<b>OBSELETE</b>	-	-	-	-	-	-	5-1438922-1
PER DETAIL X	PER DETAIL K	K	RED	1438888-1	CURRY	1-1438893-0	1-1438922-0
PER DETAIL X	PER DETAIL H	H	RED	1438888-1	HEATHER VIOLET	1438893-8	1438922-8
PER DETAIL X	PER DETAIL D	D	RED	1438888-1	CLARET VIOLET	1438893-4	1438922-4
PER DETAIL X	PER DETAIL C	C	RED	1438888-1	SIGNAL BLUE	1438893-3	1438922-3
PER DETAIL X	PER DETAIL B	B	RED	1438888-1	SIGNAL WHITE	1438893-2	1438922-2
<b>OBSELETE</b>	-	-	-	-	-	-	1438922-1
ASSEMBLY	KEYING	CODING	LOCK COLOR	LOCK PART NUMBER	HOUSING COLOR	PLUG HOUSING PART NUMBER	PART NUMBER

THIS DRAWING IS A CONTROLLED DOCUMENT.

OWN: D. J. HARDY 04JAN2005  
 CHG: J. W. HALL 19JAN2005  
 APVD: J. W. HALL 19JAN2005

STC TE Connectivity

NAME: PLUG KIT, UNASSEMBLED, 1 POSITION, RG-62U/M, 180 DEGREE, FAKRA, SMB

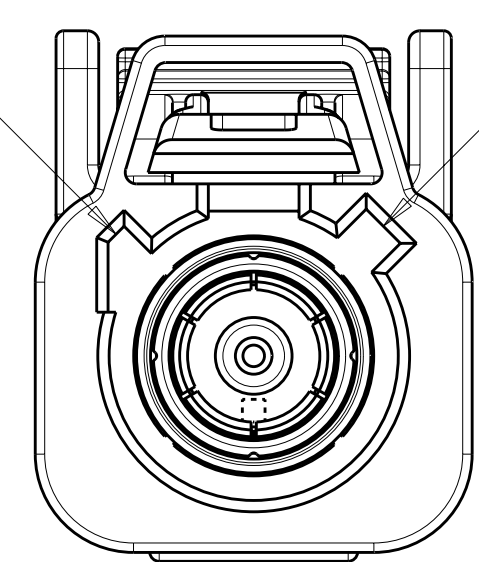
PRODUCT SPEC: -  
 APPLICATION SPEC: -  
 SIZE: 114-13157  
 WEIGHT: -  
 MATERIAL: -  
 FINISH: -

SCALE: 4:1 SHEET 1 OF 2 REV: D1

THIS DRAWING IS UNPUBLISHED. RELEASED FOR PUBLICATION 20  
 BY: ALL RIGHTS RESERVED.

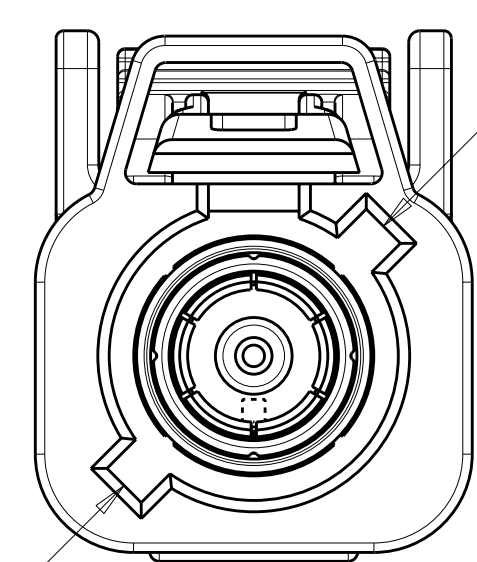
LOC		DIST		REVISIONS			
P	LTB	DESCRIPTION	DATE	DWN	APVD		
-	-	SEE SHEET 1	-	-	-		

CODING RIB B2 CODING RIB A



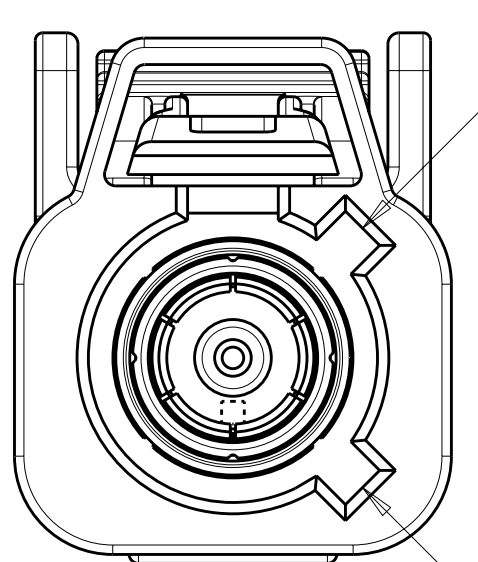
DETAIL B  
SCALE 5:1

CODING RIB A



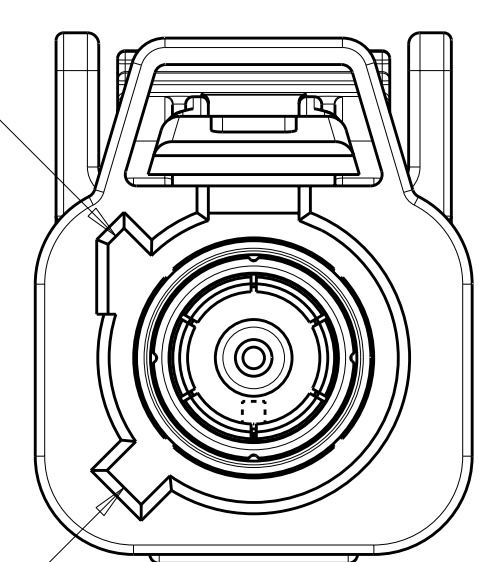
DETAIL C  
SCALE 5:1

CODING RIB A



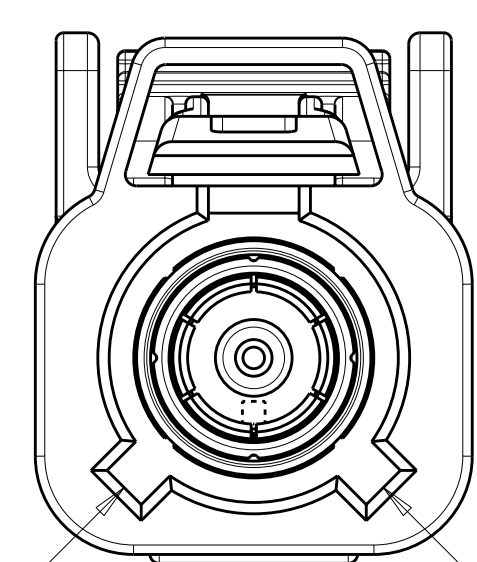
DETAIL D  
SCALE 5:1

CODING RIB B2


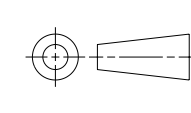


DETAIL H  
SCALE 5:1

CODING RIB C



DETAIL K  
SCALE 5:1

THIS DRAWING IS A CONTROLLED DOCUMENT.		DWN D. J. HARDY 04JAN2005	 TE Connectivity	
DIMENSIONS:		CHK J. W. HALL 19JAN2005		
mm	TOLERANCES UNLESS OTHERWISE SPECIFIED:	APVD J. W. HALL 19JAN2005	NAME PLUG KIT, UNASSEMBLED, 1 POSITION, RG-62U/M, 180 DEGREE, FAKRA, SMB	
	0 PLC ± 1 PLC ± 2 PLC ±0.25 3 PLC ± 4 PLC ± ANGLES ± FINISH ±	PRODUCT SPEC	SIZE CAGE CODE DRAWING NO A100779C=1438922	
MATERIAL		APPLICATION SPEC	RESTRICTED TO	
		114-13157	SCALE 4:1 SHEET 2 OF 2 REV D1	
		WEIGHT	CUSTOMER DRAWING	