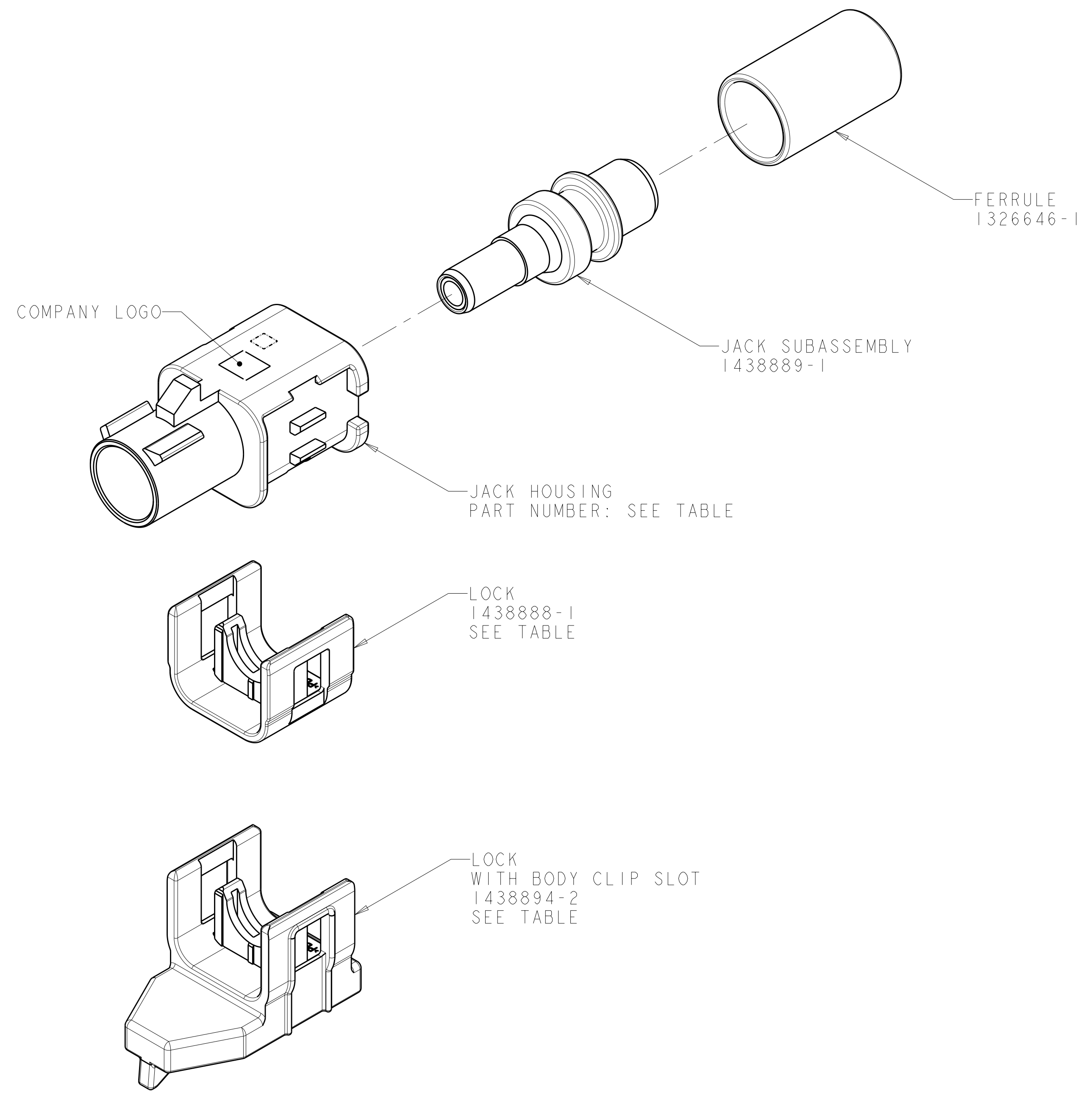
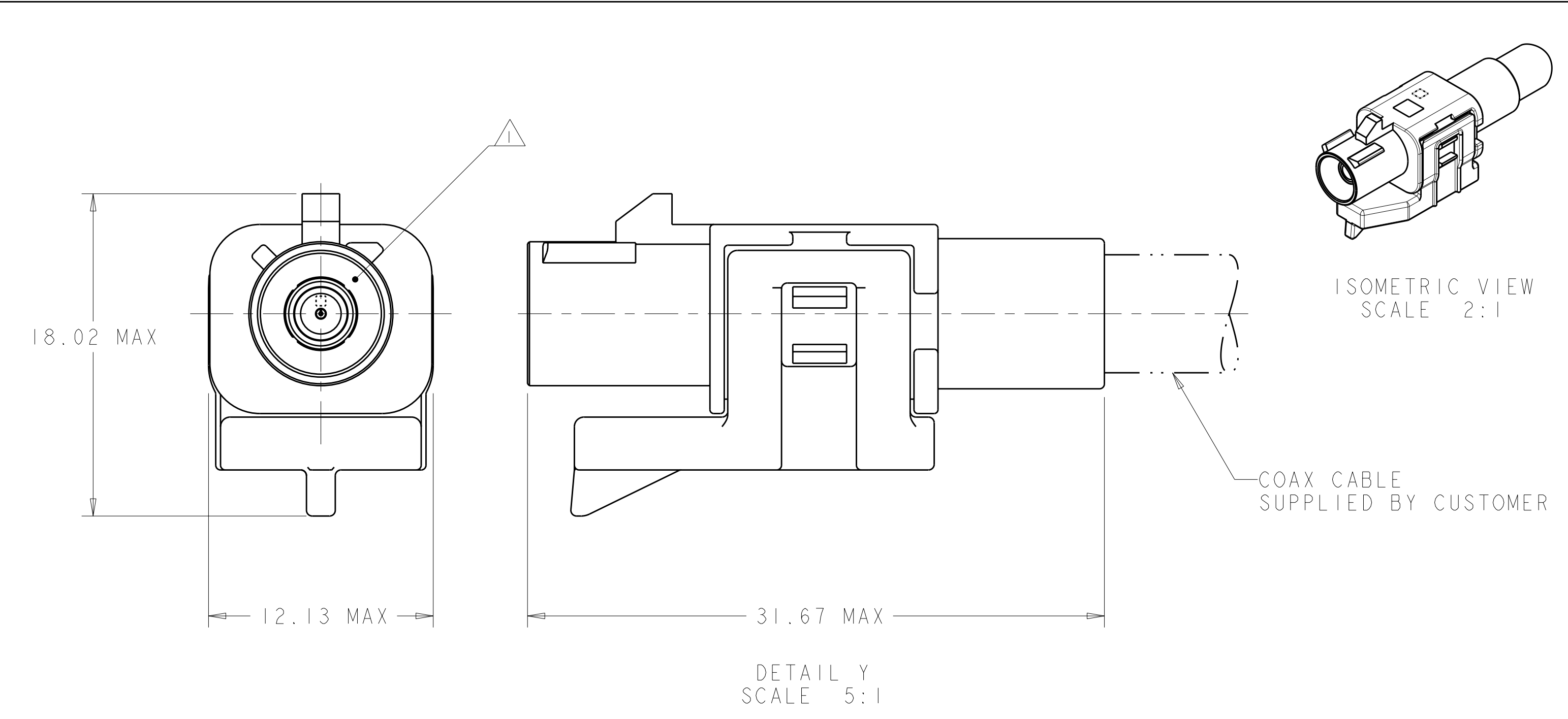
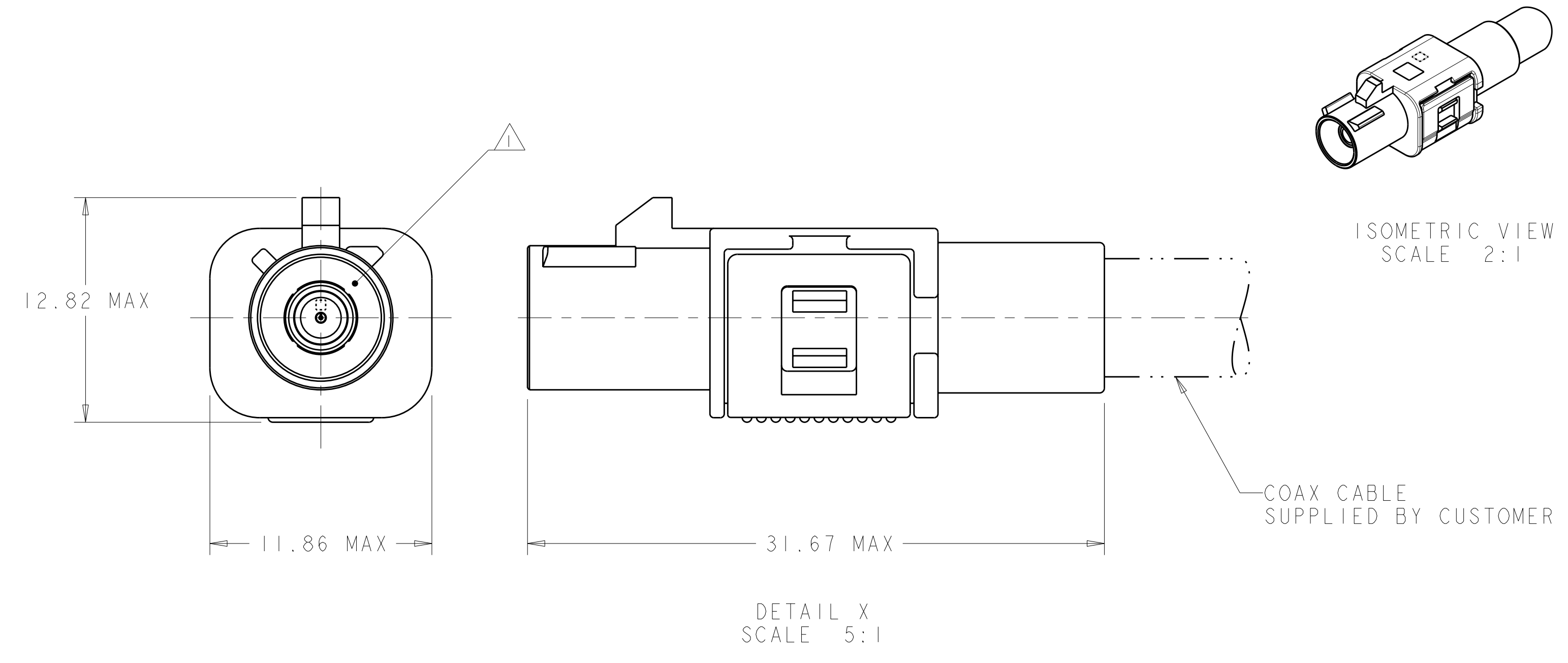
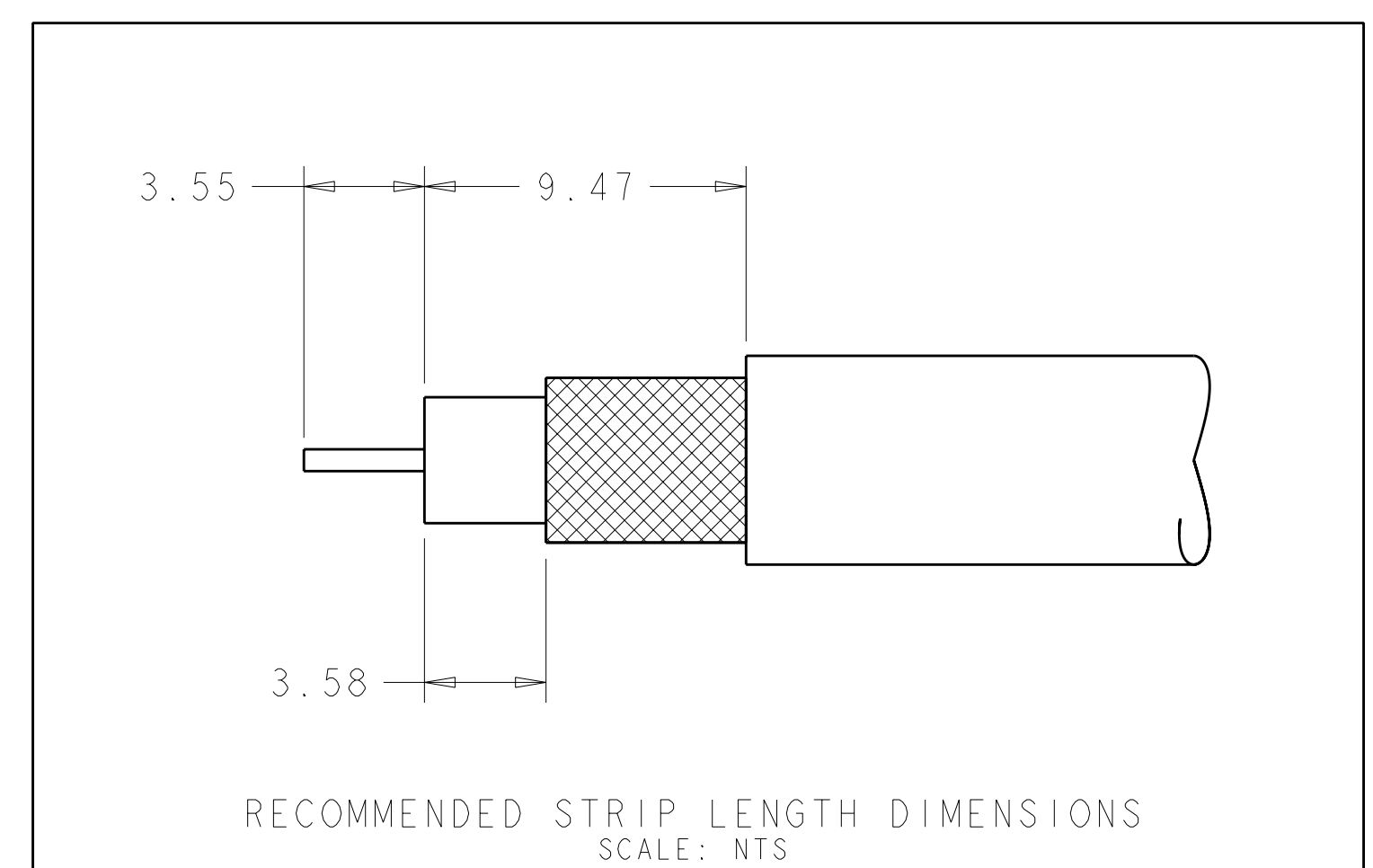


LOC	DIST	REV	DATE	BY	APPD
IN	00	E	06 JUN 2007	AH	LLV
		EI	30 JUN 2010	DLD	LLV



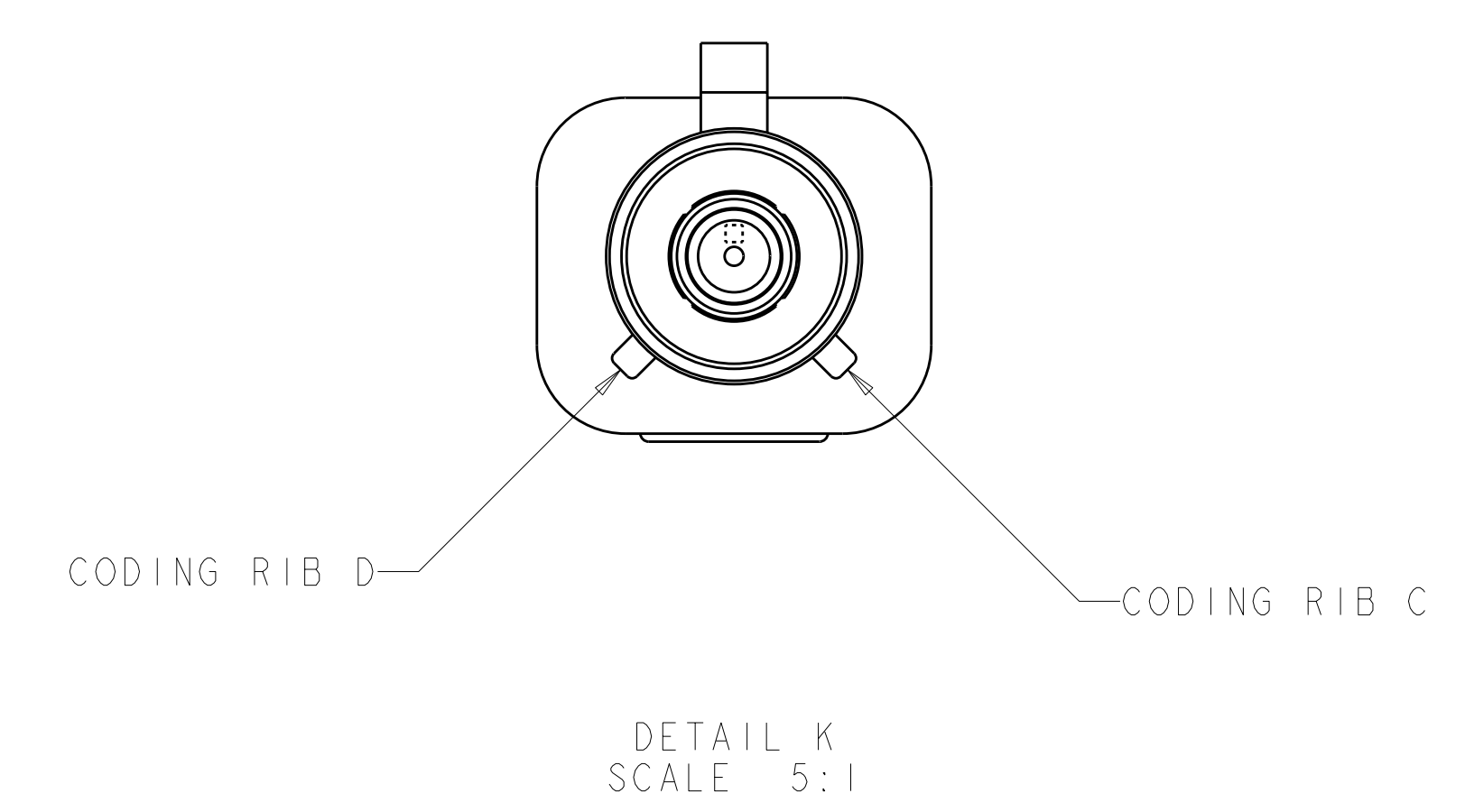
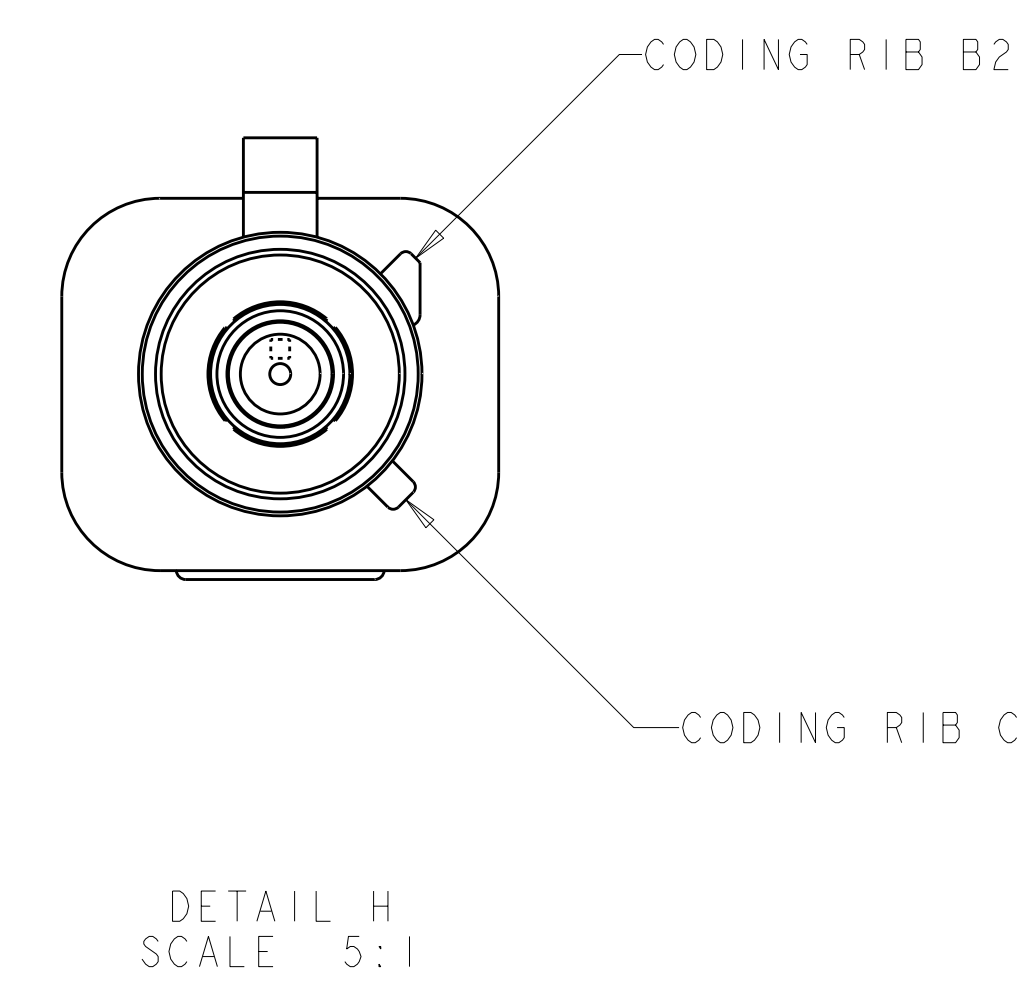
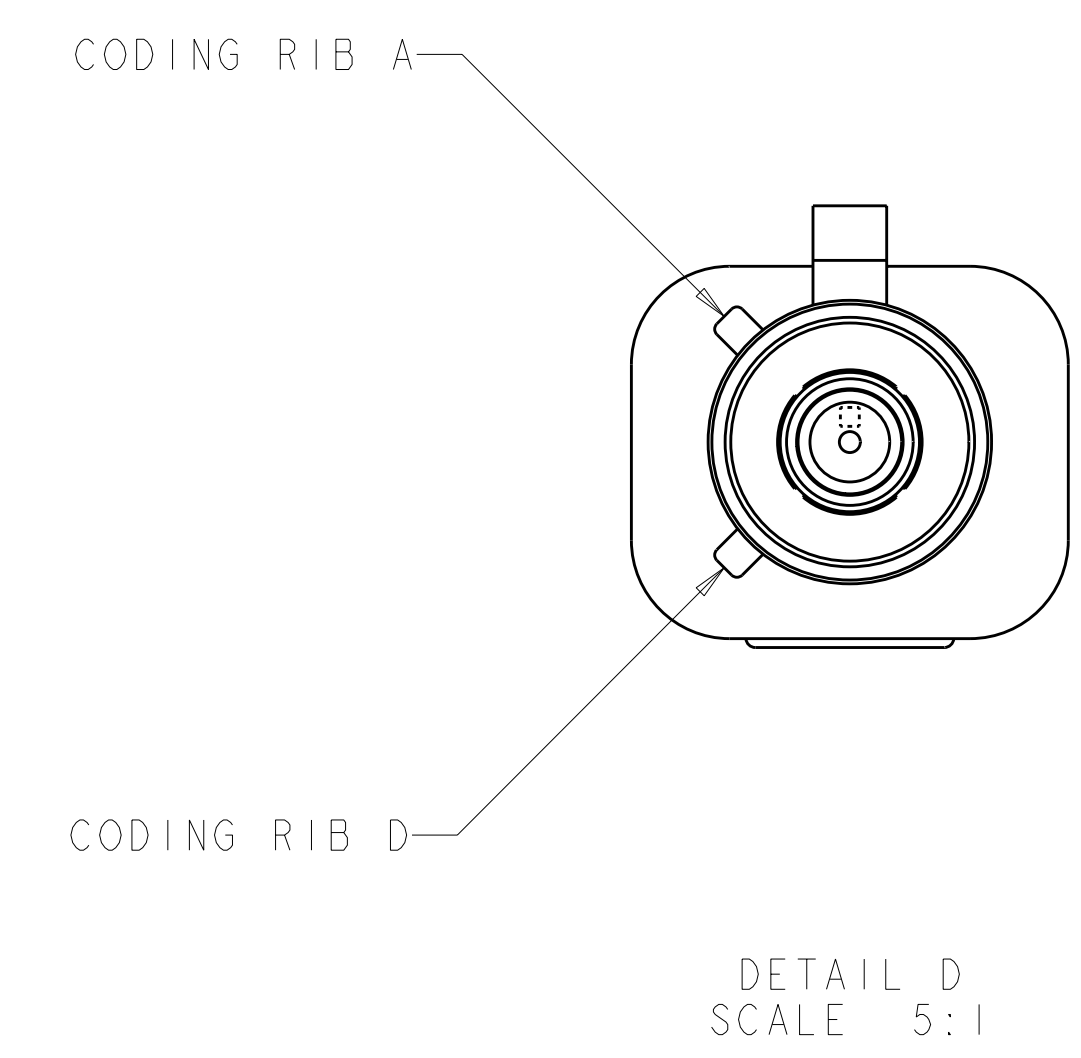
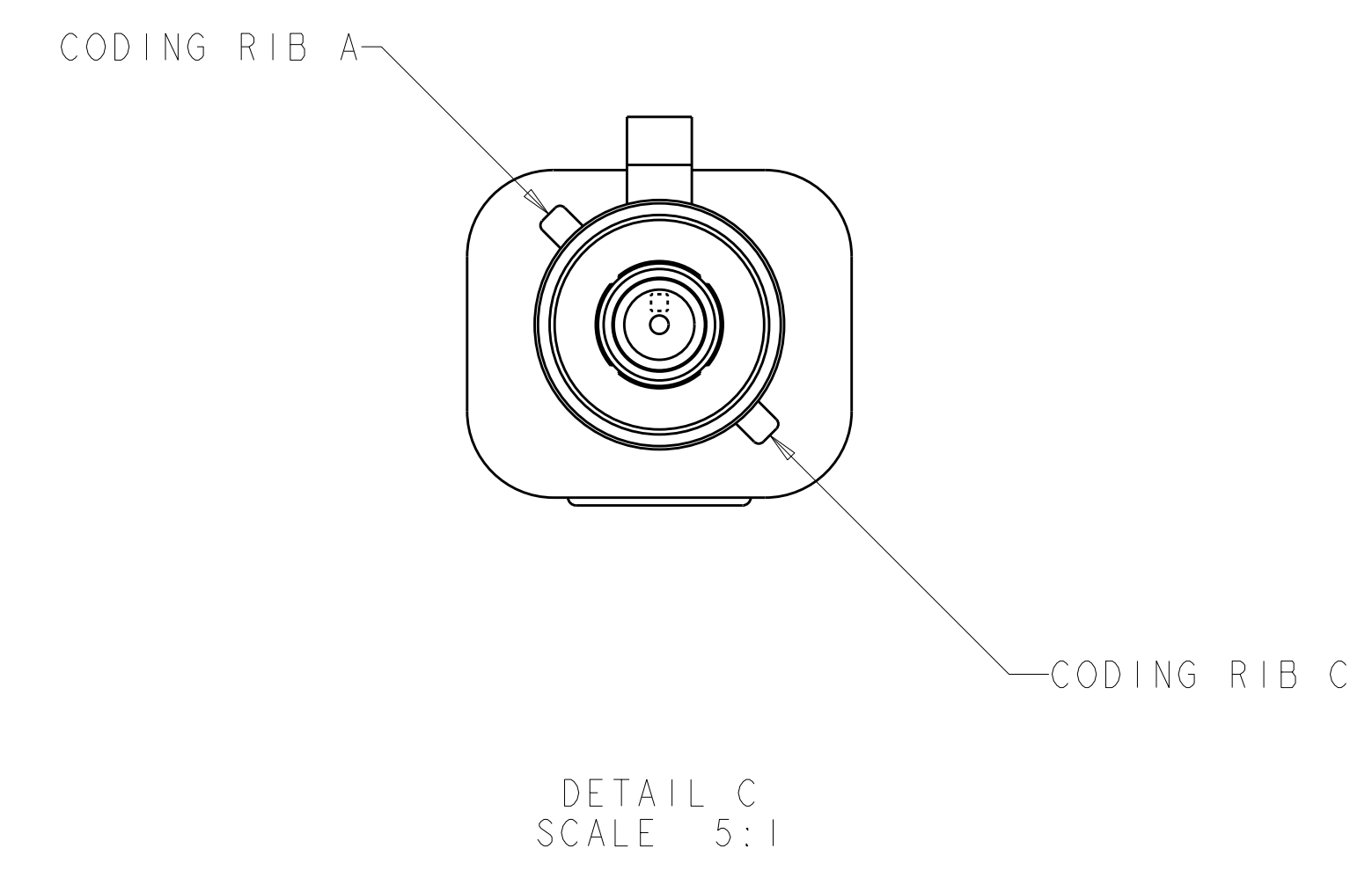
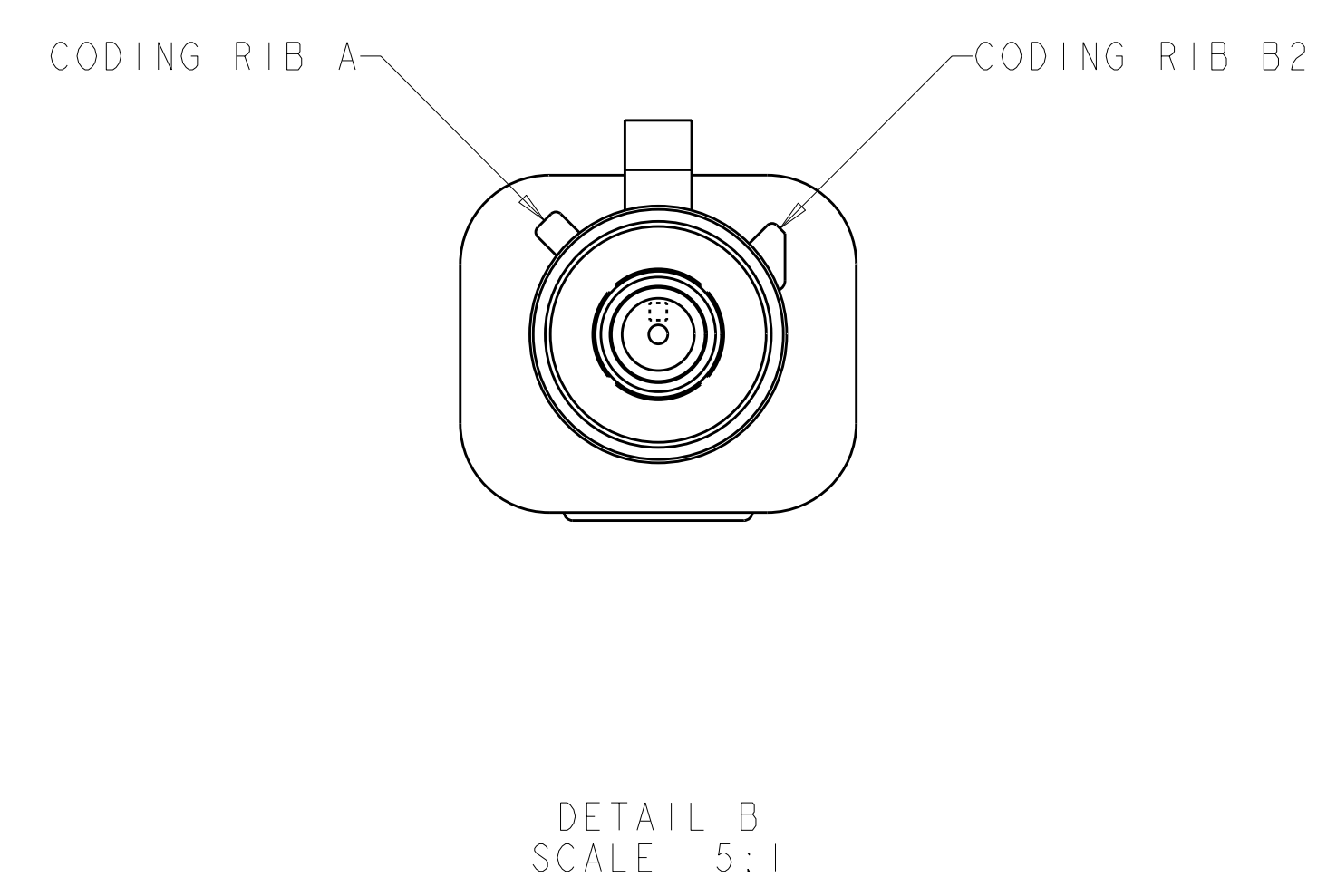
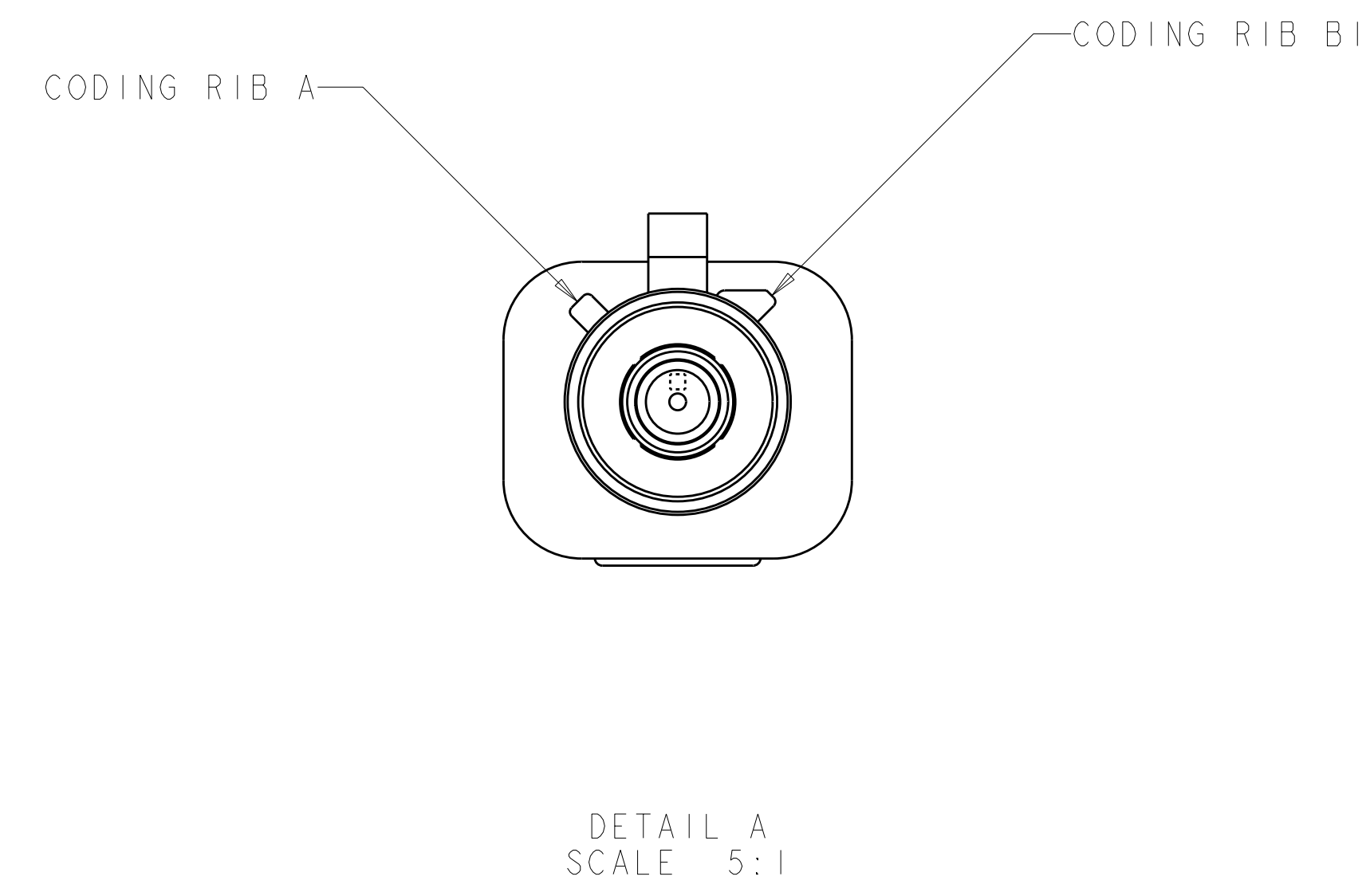
- ⚠ JACK INTERFACE PER DIN 72594-1, ROAD VEHICLES - RADIO FREQUENCY INTERFACE - DIMENSIONS AND ELECTRICAL REQUIREMENTS.
- JACK SUBASSEMBLY WILL ACCEPT RG-62U/M COAXIAL CABLE.
 - SEE INSTRUCTION SHEET 408-10028.
 - SPACER I274233-1 MUST BE PURCHASED SEPERATELY.
 - PIN CONTACT 1438890-9 MUST BE PURCHASED SEPERATELY.



PER DETAIL	PER DETAIL	KEYING	LOCK COLOR	LOCK PART NUMBER	HOUSING COLOR	JACK HOUSING PART NUMBER	PART NUMBER
PER DETAIL Y	PER DETAIL K	K	GRAY	1438894-2	CURRY	1-1438887-0	6-1438924-0
PER DETAIL Y	PER DETAIL H	H	GRAY	1438894-2	HEATHER VIOLET	1438887-8	5-1438924-8
PER DETAIL Y	PER DETAIL D	D	GRAY	1438894-2	CLARET VIOLET	1438887-4	5-1438924-4
PER DETAIL Y	PER DETAIL C	C	GRAY	1438894-2	SIGNAL BLUE	1438887-3	5-1438924-3
PER DETAIL Y	PER DETAIL B	B	GRAY	1438894-2	SIGNAL WHITE	1438887-2	5-1438924-2
PER DETAIL Y	PER DETAIL A	A	GRAY	1438894-2	JET BLACK	1438887-1	5-1438924-1
PER DETAIL X	PER DETAIL K	K	RED	1438888-1	CURRY	1-1438887-0	1-1438924-0
PER DETAIL X	PER DETAIL H	H	RED	1438888-1	HEATHER VIOLET	1438887-8	1438924-8
PER DETAIL X	PER DETAIL D	D	RED	1438888-1	CLARET VIOLET	1438887-4	1438924-4
PER DETAIL X	PER DETAIL C	C	RED	1438888-1	SIGNAL BLUE	1438887-3	1438924-3
PER DETAIL X	PER DETAIL B	B	RED	1438888-1	SIGNAL WHITE	1438887-2	1438924-2
PER DETAIL X	PER DETAIL A	A	RED	1438888-1	JET BLACK	1438887-1	1438924-1

DIMENSIONS: mm 9 PLC ± 1 PLC ±0.25 5 PLC ± 4 PLC ± ANGLES ± MATERIAL - FINISH -		TOLERANCES UNLESS OTHERWISE SPECIFIED: 9 PLC ± 1 PLC ±0.25 5 PLC ± 4 PLC ± ANGLES ± MATERIAL - FINISH -		DWN: J. HARDY 03JAN2005 CHK: J. W. HALL 13JAN2005 APPD: J. W. HALL 13JAN2005	Tyco Electronics Harrisburg, PA 17105-3608
CUSTOMER DRAWING		SCALE: 4:1		SHEET 1 OF 2	

LOC	DIST	REVISIONS			
P	LTB	DESCRIPTION	DATE	DWN	APVD
-	-	SEE SHEET 1	-	-	-



<small>THIS DRAWING IS UNPUBLISHED. IT IS SUBJECT TO CHANGE WITHOUT NOTICE AND WITHOUT OBLIGATION. SHOULD BE CONTACTED FOR THE LATEST REVISION.</small>		DWN: D.J. HARDY 03JAN2005 CHK: J.W. HALL 13JAN2005 APVD: J.W. HALL 13JAN2005	Tyco Electronics Harrisburg, PA 17105-3608
DIMENSIONS: mm		TOLERANCES UNLESS OTHERWISE SPECIFIED: 9 PLC ± 7 PLC ±0.25 5 PLC ± 4 PLC ± ANGLES ± FINISH	NAME: JACK KIT, UNASSEMBLED, 1 POSITION, RG-62U/M, FAKRA, SMB SIZE: A1 CAGE CODE: 00779 DRAWING NO: C=1438924 RESTRICTED TO:
MATERIAL: - FINISH: -		WEIGHT: - CUSTOMER DRAWING	SCALE: 4:1 SHEET 2 OF 2 REV E