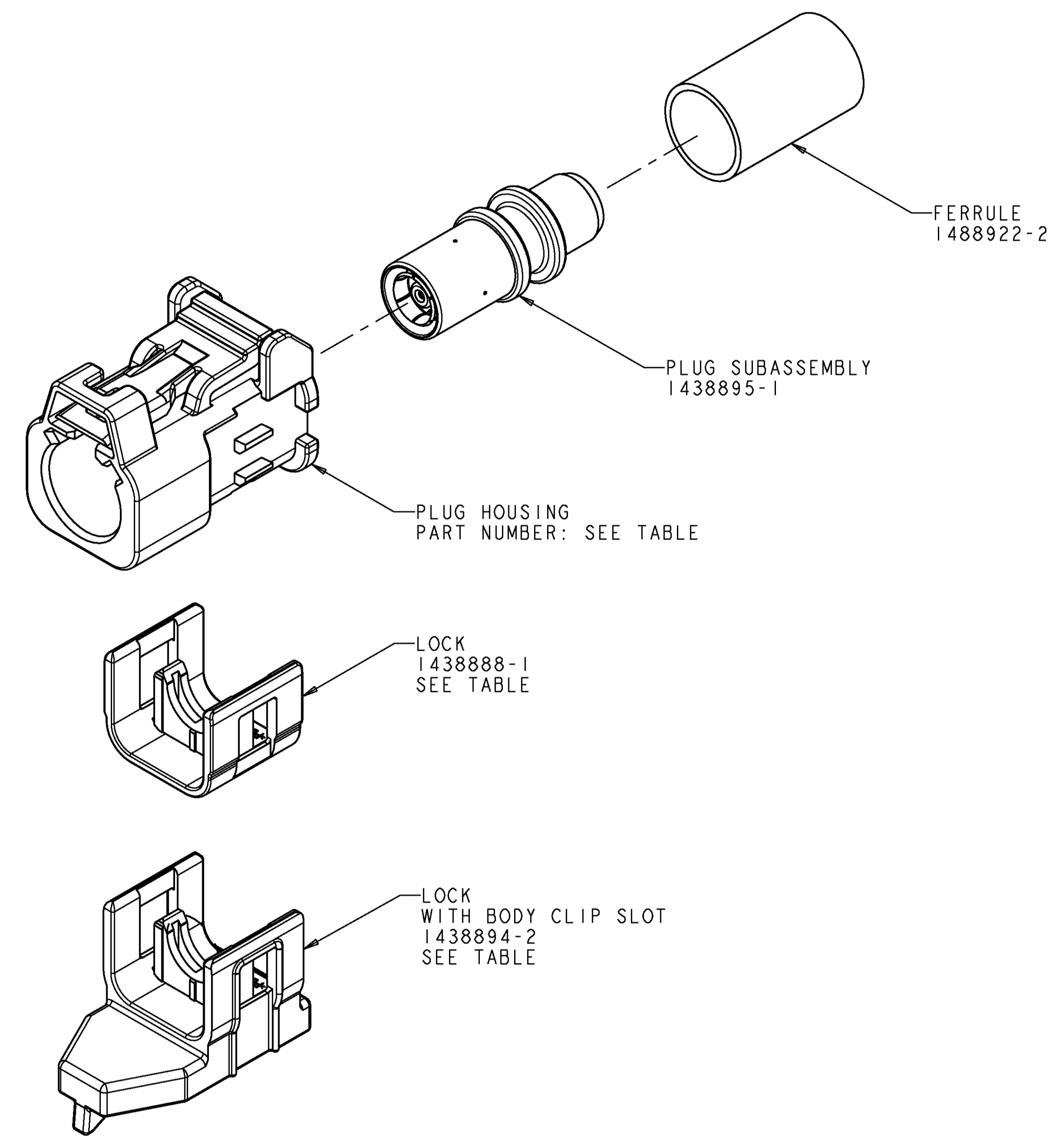
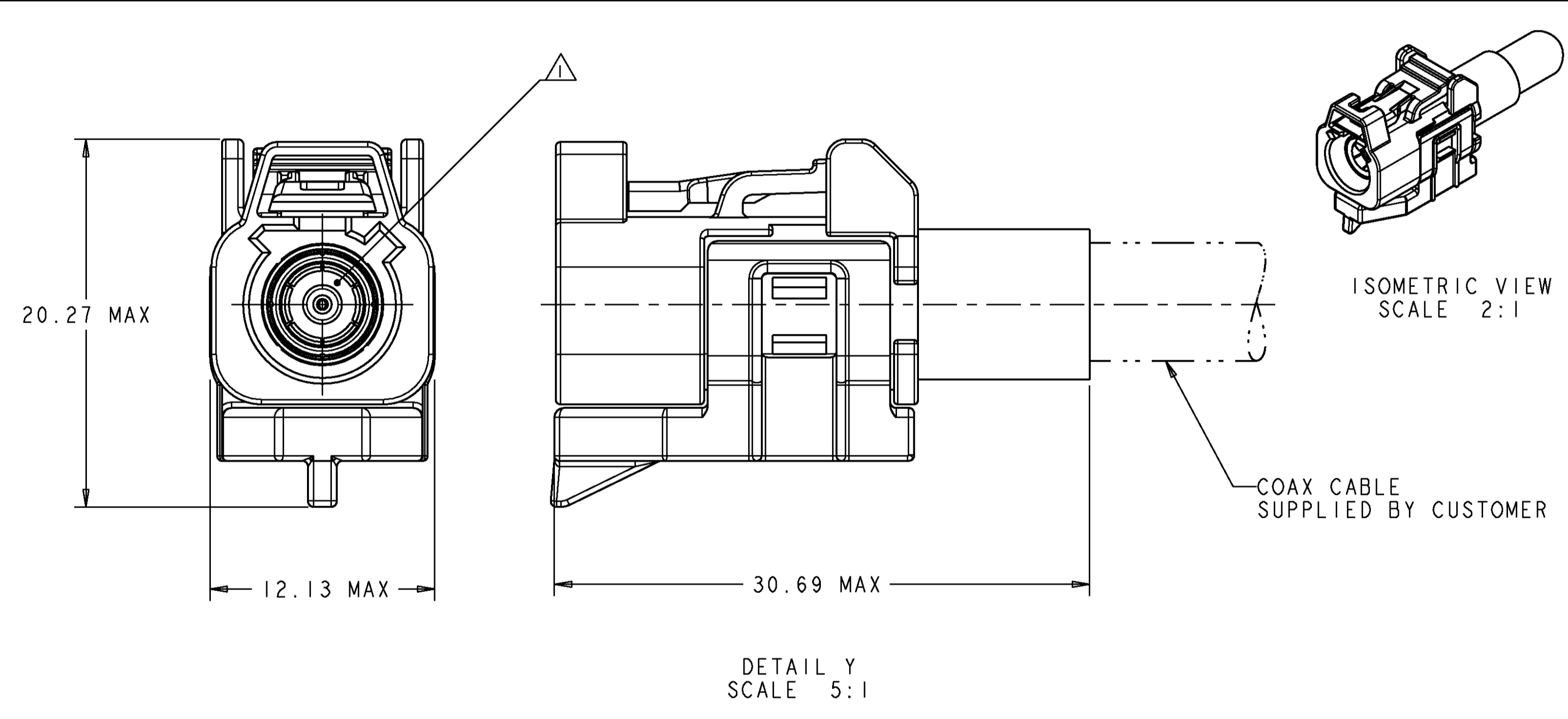
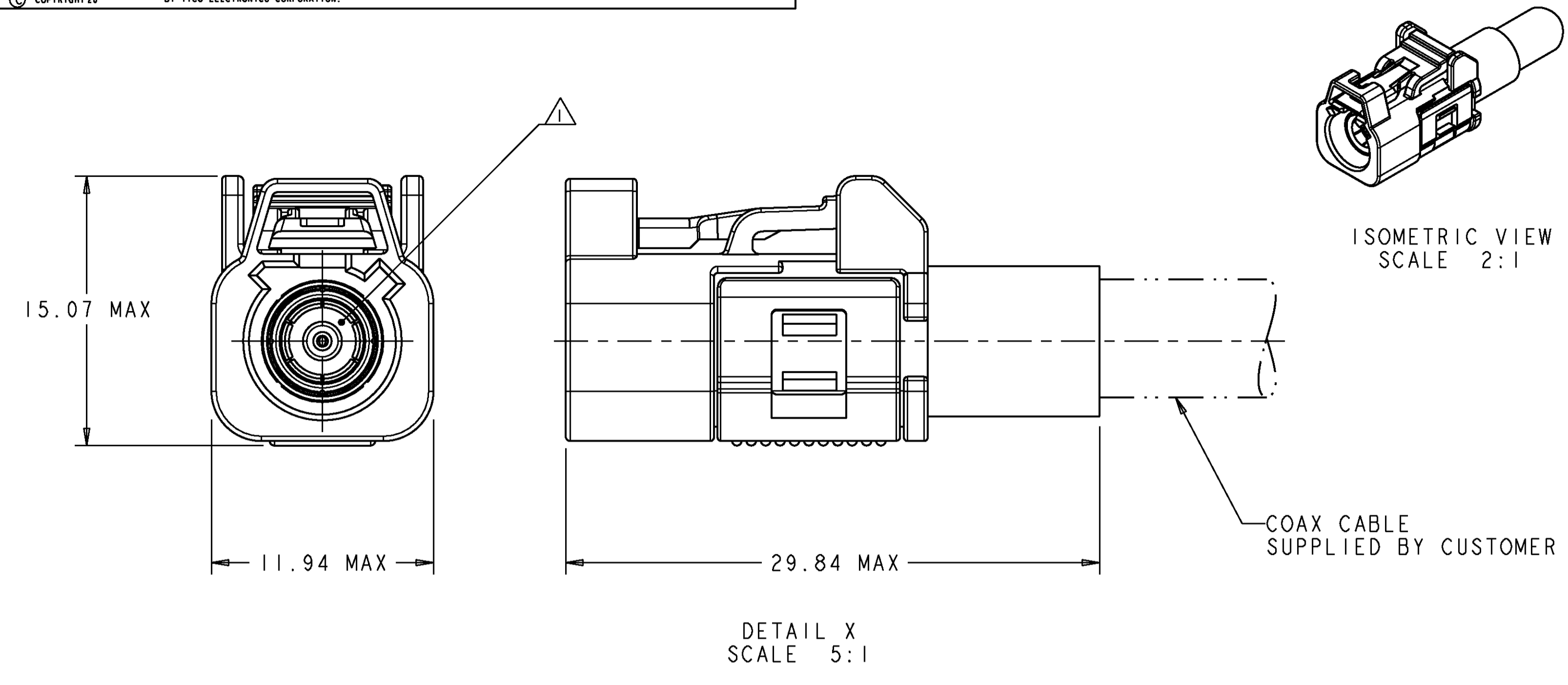
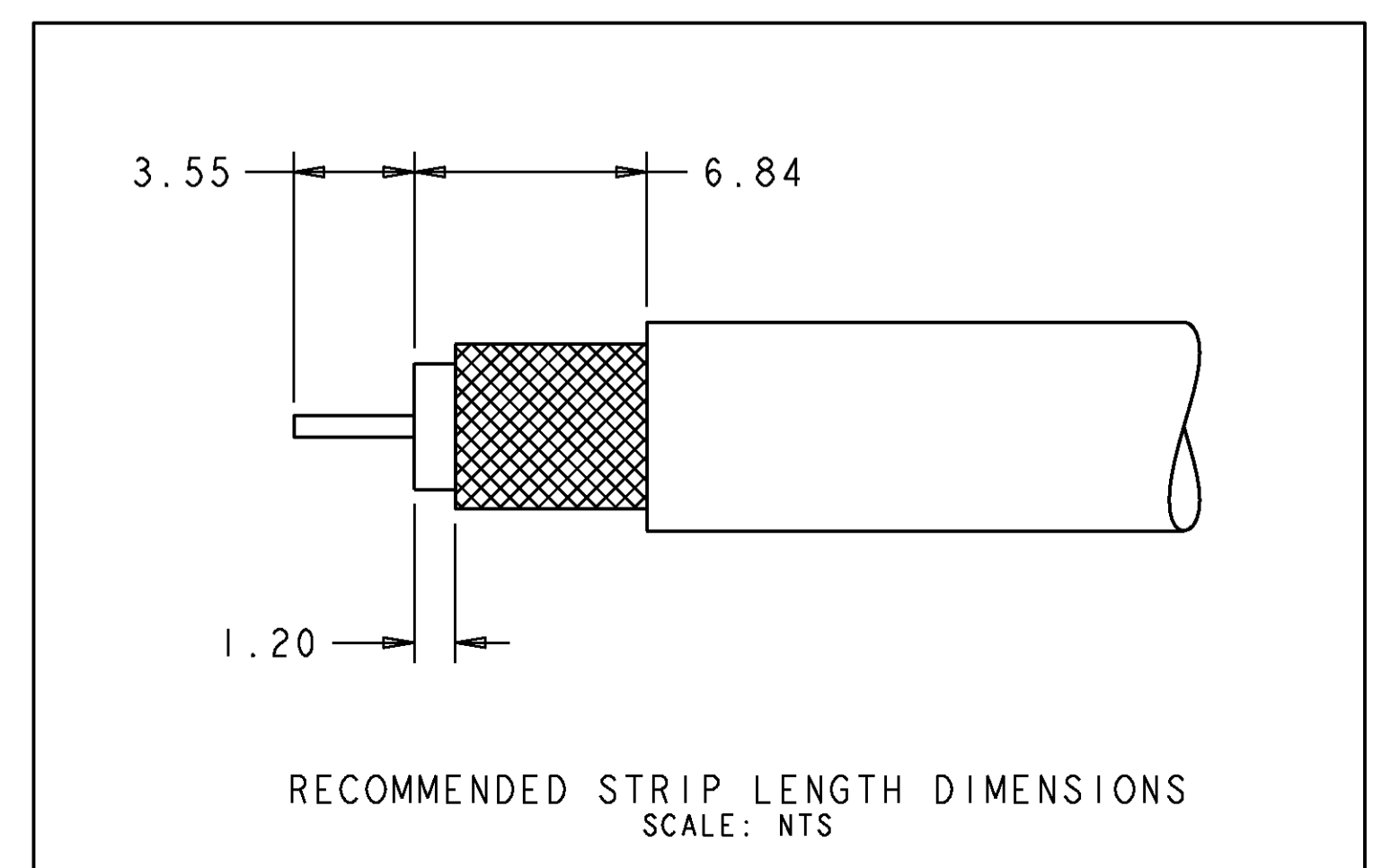


REVISONS		DATE	DNW	APVD
A	INITIAL RELEASE	30AUG2005	DJH	JMR
B	REVISED PER ECO-06-4485	14MAR2006	DJH	JMR
C	REVISED PER ECR-07-012944	06JUN2007	AH	LV



△ PLUG ACCEPTS JACKS MEETING DIN 72594-1, ROAD VEHICLES - RADIO FREQUENCY INTERFACE - DIMENSIONS AND ELECTRICAL REQUIREMENTS.

2. PLUG SUBASSEMBLY WILL ACCEPT RG-71 COAXIAL CABLE.
3. SEE INSTRUCTION SHEET 408-10028.
4. SPACER 1274233-2 MUST BE PURCHASED SEPERATELY.
5. SOCKET CONTACT 1438896-4 MUST BE PURCHASED SEPERATELY.



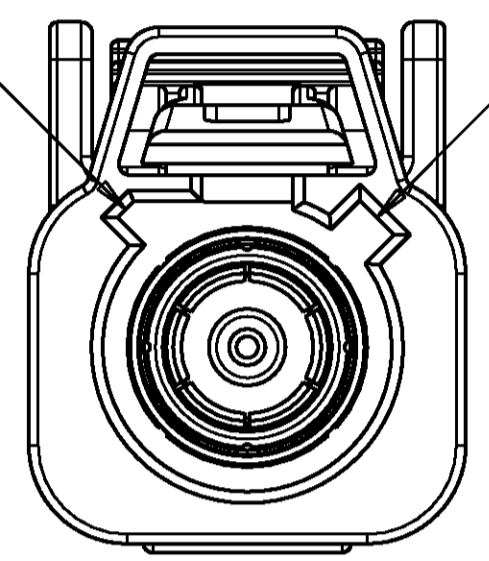
PER DETAIL Y	PER DETAIL K	K	GRAY	1438894-2	CURRY	1-1438893-0	6-1438955-0
PER DETAIL Y	PER DETAIL H	H	GRAY	1438894-2	HEATHER VIOLET	1438893-8	5-1438955-8
PER DETAIL Y	PER DETAIL D	D	GRAY	1438894-2	CLARET VIOLET	1438893-4	5-1438955-4
PER DETAIL Y	PER DETAIL C	C	GRAY	1438894-2	SIGNAL BLUE	1438893-3	5-1438955-3
PER DETAIL Y	PER DETAIL B	B	GRAY	1438894-2	SIGNAL WHITE	1438893-2	5-1438955-2
PER DETAIL Y	PER DETAIL A	A	GRAY	1438894-2	JET BLACK	1438893-1	5-1438955-1
PER DETAIL X	PER DETAIL K	K	RED	1438888-1	CURRY	1-1438893-0	1-1438955-0
PER DETAIL X	PER DETAIL H	H	RED	1438888-1	HEATHER VIOLET	1438893-8	1438955-8
PER DETAIL X	PER DETAIL D	D	RED	1438888-1	CLARET VIOLET	1438893-4	1438955-4
PER DETAIL X	PER DETAIL C	C	RED	1438888-1	SIGNAL BLUE	1438893-3	1438955-3
PER DETAIL X	PER DETAIL B	B	RED	1438888-1	SIGNAL WHITE	1438893-2	1438955-2
PER DETAIL X	PER DETAIL A	A	RED	1438888-1	JET BLACK	1438893-1	1438955-1
ASSEMBLY	KEYING	CODING	LOCK COLOR	LOCK PART NUMBER	HOUSING COLOR	PLUG HOUSING PART NUMBER	PART NUMBER

DIMENSIONS: mm 0 PLC ± 1 PLC ± 2 PLC ±0.25 3 PLC ± 4 PLC ± ANGLES ± FINISH		TOLERANCES UNLESS OTHERWISE SPECIFIED: FINISH		DWG: D. J. HARDY 02JUN2005 CHK: J. W. HALL 30AUG2005 APVD: J. W. HALL 30AUG2005 PRODUCT SPEC APPLICATION SPEC 114-13157 WEIGHT CUSTOMER DRAWING		Tyco Electronics Harrisburg, PA 17105-3608 NAME: PLUG KIT, UNASSEMBLED, 1 POSITION, RG-71, 180 DEGREE, FAKRA, SMB SIZE: A1 CAGE CODE: 00779 DRAWING NO: 1438955 SHEET 1 OF 2 REV C	
---	--	--	--	--	--	---	--

THIS DRAWING IS UNPUBLISHED. RELEASED FOR PUBLICATION 20
 COPYRIGHT 20 BY TYCO ELECTRONICS CORPORATION. ALL RIGHTS RESERVED.

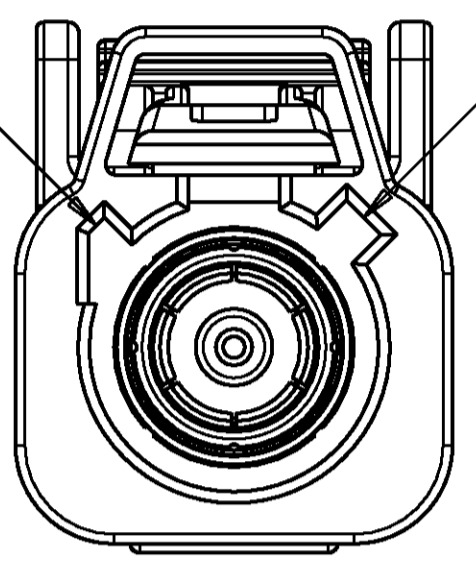
LOC		DIST		REVISIONS			
P	LYR	DESCRIPTION	DATE	DNW	APVD		
-	-	SEE SHEET 1	-	-	-		

CODING RIB B1 CODING RIB A



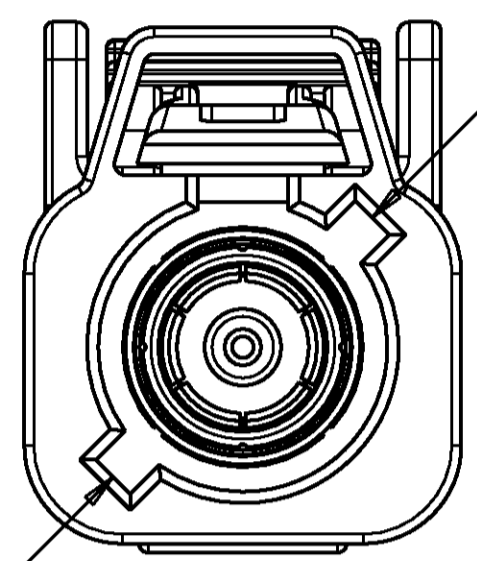
DETAIL A
SCALE 5:1

CODING RIB B2 CODING RIB A



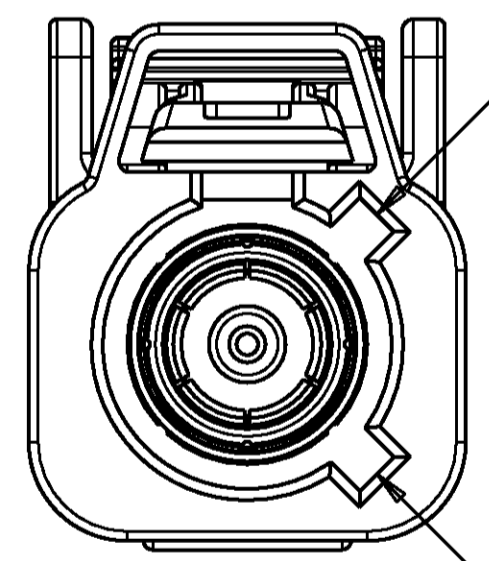
DETAIL B
SCALE 5:1

CODING RIB C CODING RIB A



DETAIL C
SCALE 5:1

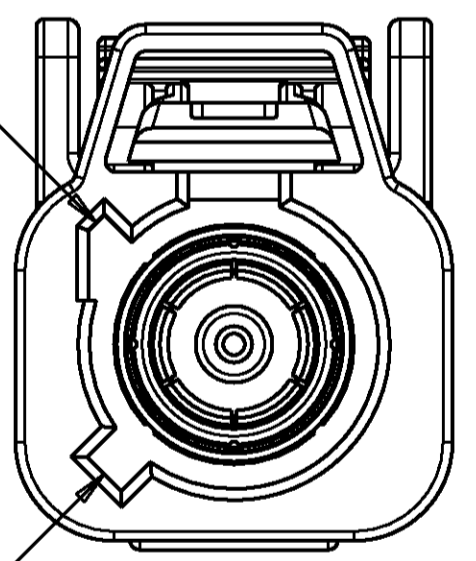
CODING RIB A



DETAIL D
SCALE 5:1

CODING RIB D

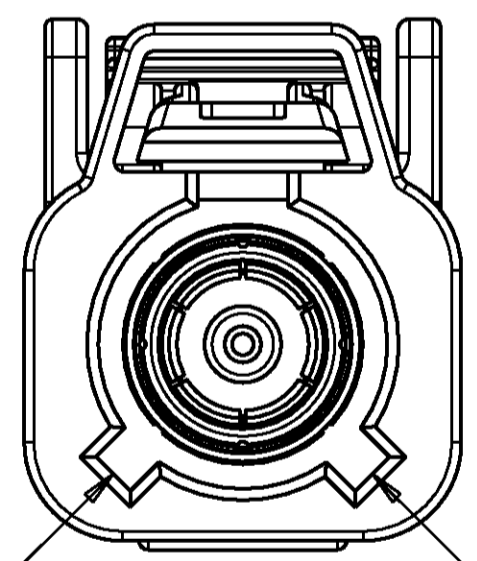
CODING RIB B2



DETAIL H
SCALE 5:1

CODING RIB C

CODING RIB C CODING RIB D



DETAIL K
SCALE 5:1

<small>THE PROPERTY OF COMPANY IS RESERVED FOR YOUR INFORMATION. COMPANY IS NOT RESPONSIBLE FOR THE REPRODUCTION OF THIS DRAWING IN ANY FORM OR BY ANY MEANS WITHOUT THE WRITTEN PERMISSION OF COMPANY.</small>		DWN D. J. HARDY 02JUN2005 CHK J. W. HALL 30AUG2005 APVD J. W. HALL 30AUG2005	Tyco Electronics Harrisburg, PA 17105-3608
DIMENSIONS: mm 	TOLERANCES UNLESS OTHERWISE SPECIFIED: 0 PLC ± 1 PLC ± 2 PLC ±0.25 3 PLC ± 4 PLC ± ANGLES ±	NAME PLUG KIT, UNASSEMBLED, 1 POSITION, RG-71, 180 DEGREE, FAKRA, SMB PRODUCT SPEC APPLICATION SPEC	SIZE CAGE CODE DRAWING NO RESTRICTED TO A 00779 C=1438955 -
MATERIAL	FINISH	WEIGHT	CUSTOMER DRAWING
			SCALE 4:1 SHEET 2 OF 2 REV C