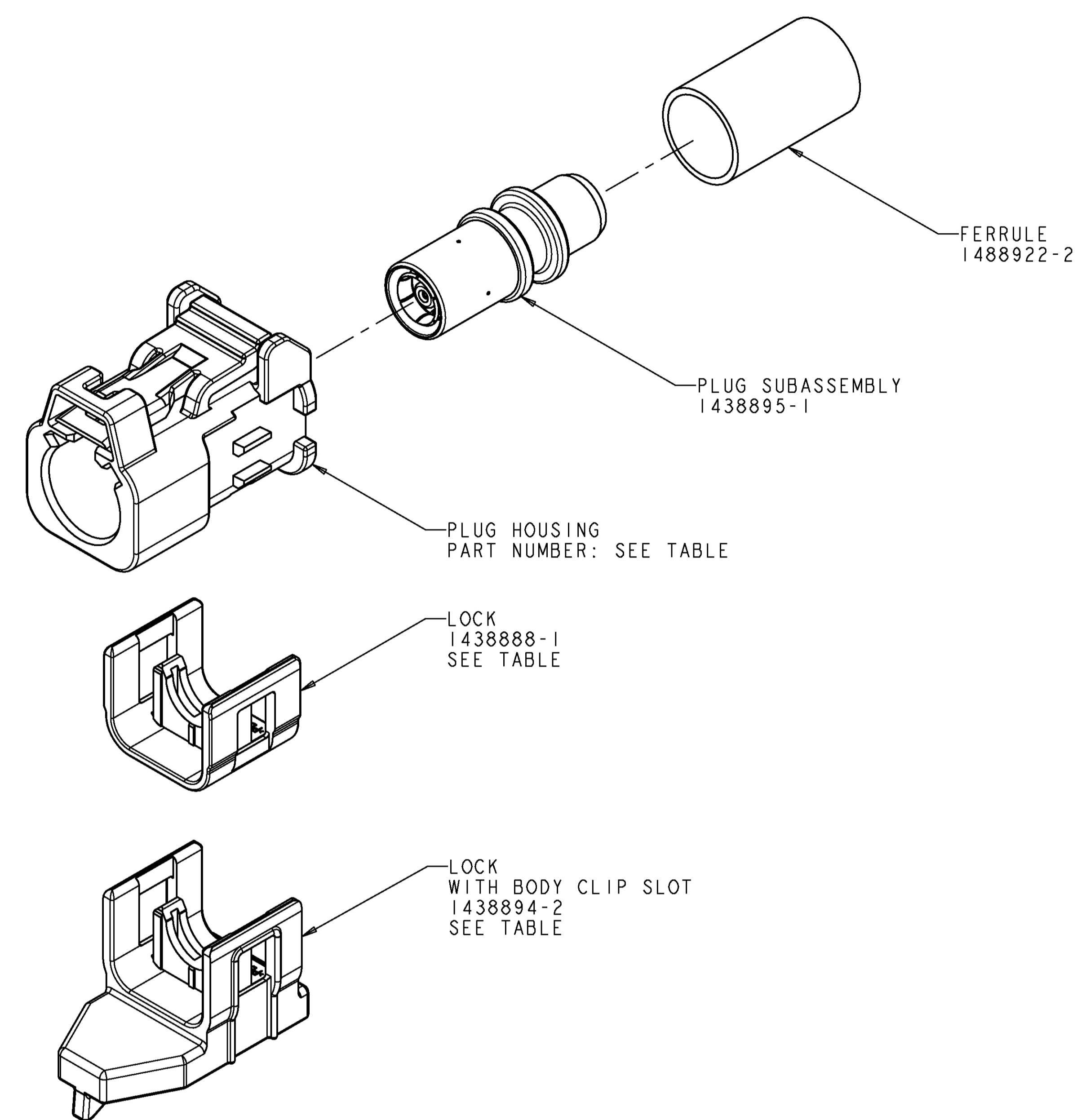
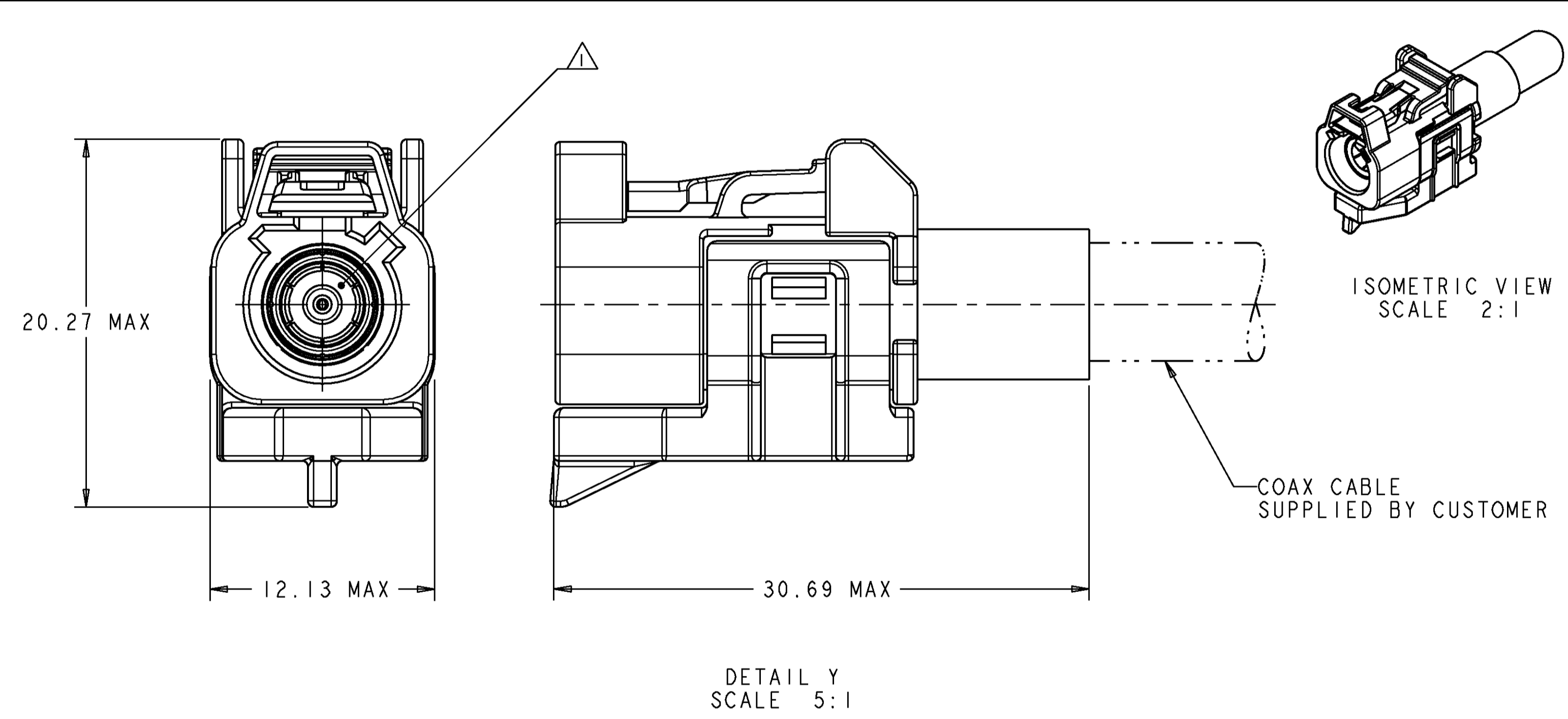
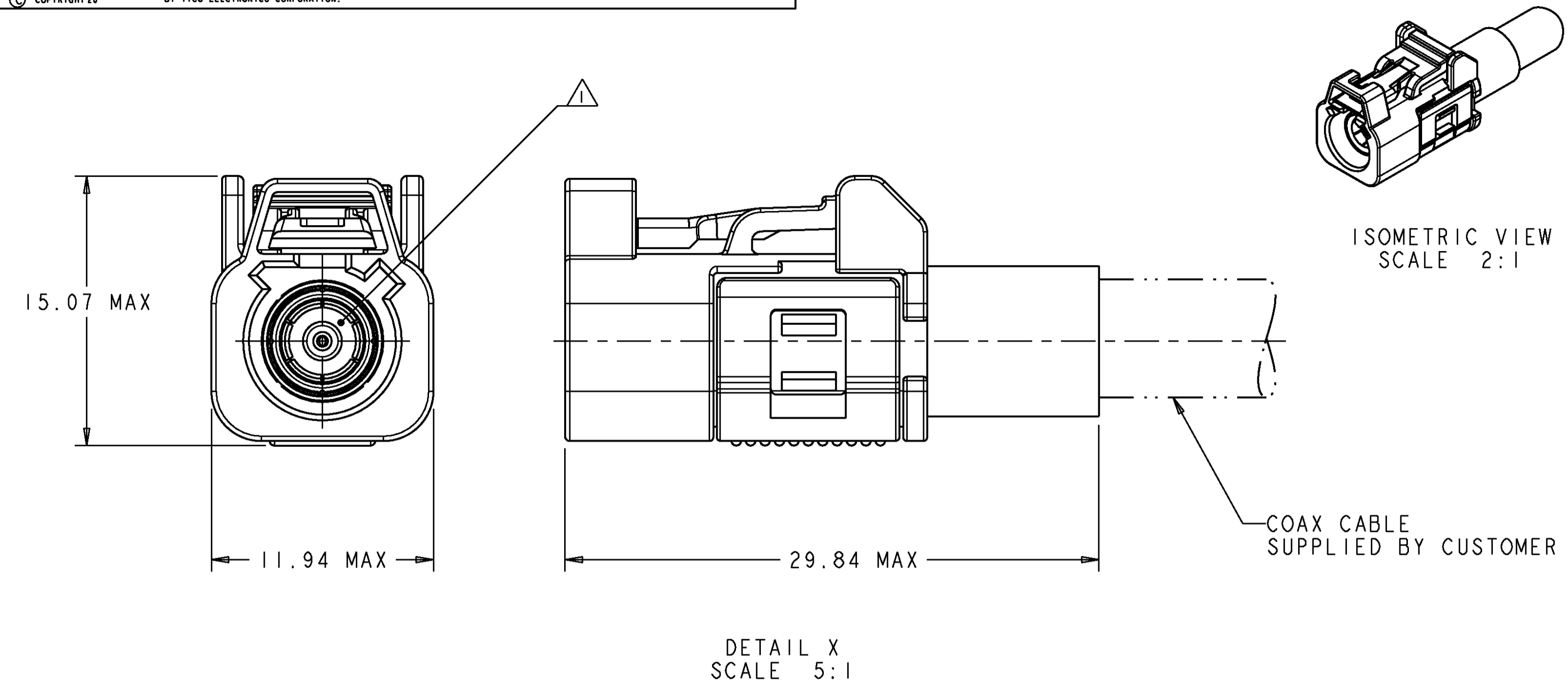
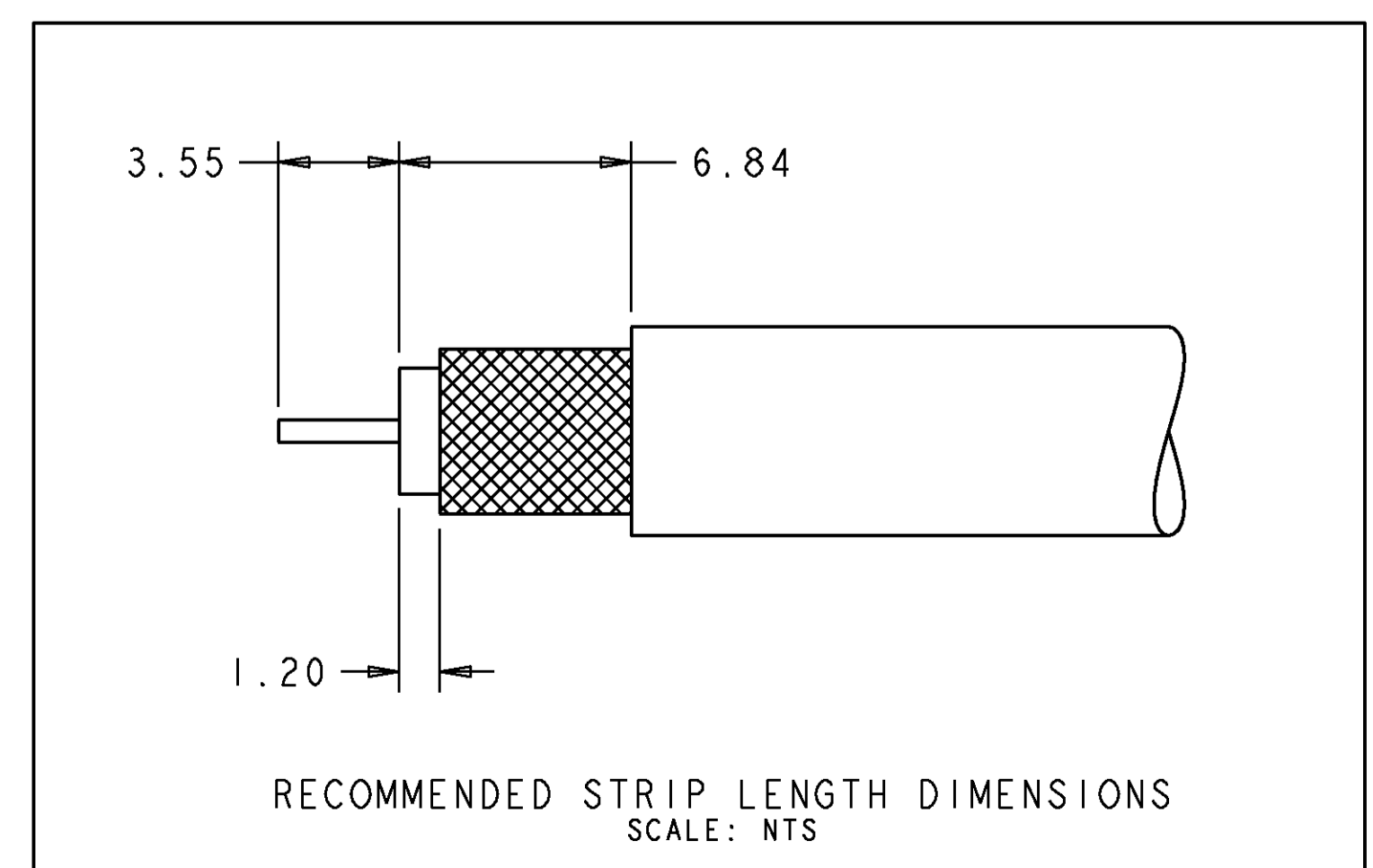


LOC	DIST	REV	DATE	BY	CHKD	APPD
IN	00					
REVISIONS						
REV	DATE	BY	CHKD	APPD	DESCRIPTION	
A	31AUG2005	DJH	JMR		INITIAL RELEASE	
B	14MAR2006	DJH	JMR		REVISED PER ECO-06-4485	
C	06JUN2007	AH	LV		REVISED PER ECR-07-012944	



△ PLUG ACCEPTS JACKS MEETING DIN 72594-1, ROAD VEHICLES - RADIO FREQUENCY INTERFACE - DIMENSIONS AND ELECTRICAL REQUIREMENTS.

2. PLUG SUBASSEMBLY WILL ACCEPT RG-71U/M COAXIAL CABLE.
3. SEE INSTRUCTION SHEET 408-10028.
4. SPACER 1274233-1 MUST BE PURCHASED SEPERATELY.
5. SOCKET CONTACT 1438896-6 MUST BE PURCHASED SEPERATELY.



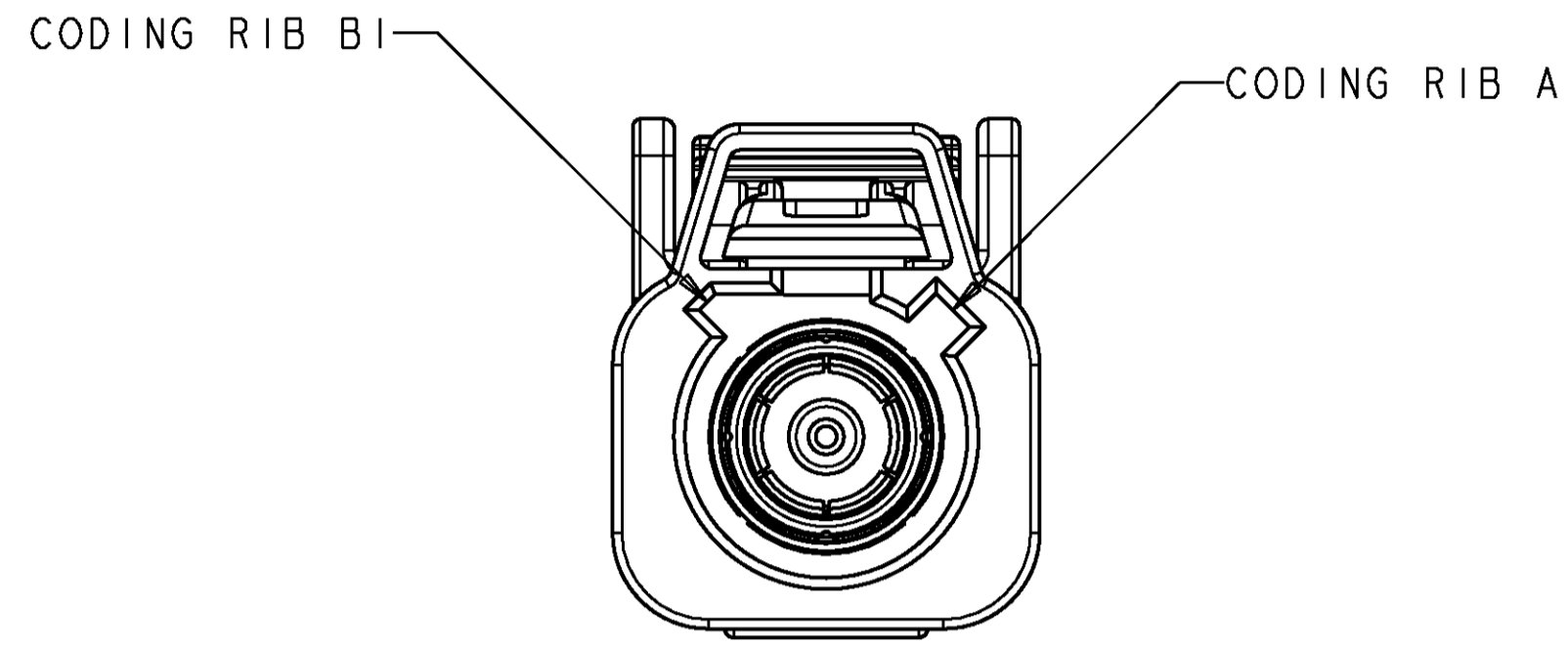
PER DETAIL Y	PER DETAIL K	K	GRAY	1438894-2	CURRY	1-1438893-0	6-1438958-0
PER DETAIL Y	PER DETAIL H	H	GRAY	1438894-2	HEATHER VIOLET	1438893-8	5-1438958-8
PER DETAIL Y	PER DETAIL D	D	GRAY	1438894-2	CLARET VIOLET	1438893-4	5-1438958-4
PER DETAIL Y	PER DETAIL C	C	GRAY	1438894-2	SIGNAL BLUE	1438893-3	5-1438958-3
PER DETAIL Y	PER DETAIL B	B	GRAY	1438894-2	SIGNAL WHITE	1438893-2	5-1438958-2
PER DETAIL Y	PER DETAIL A	A	GRAY	1438894-2	JET BLACK	1438893-1	5-1438958-1
PER DETAIL X	PER DETAIL K	K	RED	1438888-1	CURRY	1-1438893-0	1-1438958-0
PER DETAIL X	PER DETAIL H	H	RED	1438888-1	HEATHER VIOLET	1438893-8	1438958-8
PER DETAIL X	PER DETAIL D	D	RED	1438888-1	CLARET VIOLET	1438893-4	1438958-4
PER DETAIL X	PER DETAIL C	C	RED	1438888-1	SIGNAL BLUE	1438893-3	1438958-3
PER DETAIL X	PER DETAIL B	B	RED	1438888-1	SIGNAL WHITE	1438893-2	1438958-2
PER DETAIL X	PER DETAIL A	A	RED	1438888-1	JET BLACK	1438893-1	1438958-1
ASSEMBLY	KEYING	CODING	LOCK COLOR	LOCK PART NUMBER	HOUSING COLOR	PLUG HOUSING PART NUMBER	PART NUMBER

APPROVED FOR RELEASE BY THE NATIONAL ARCHIVES

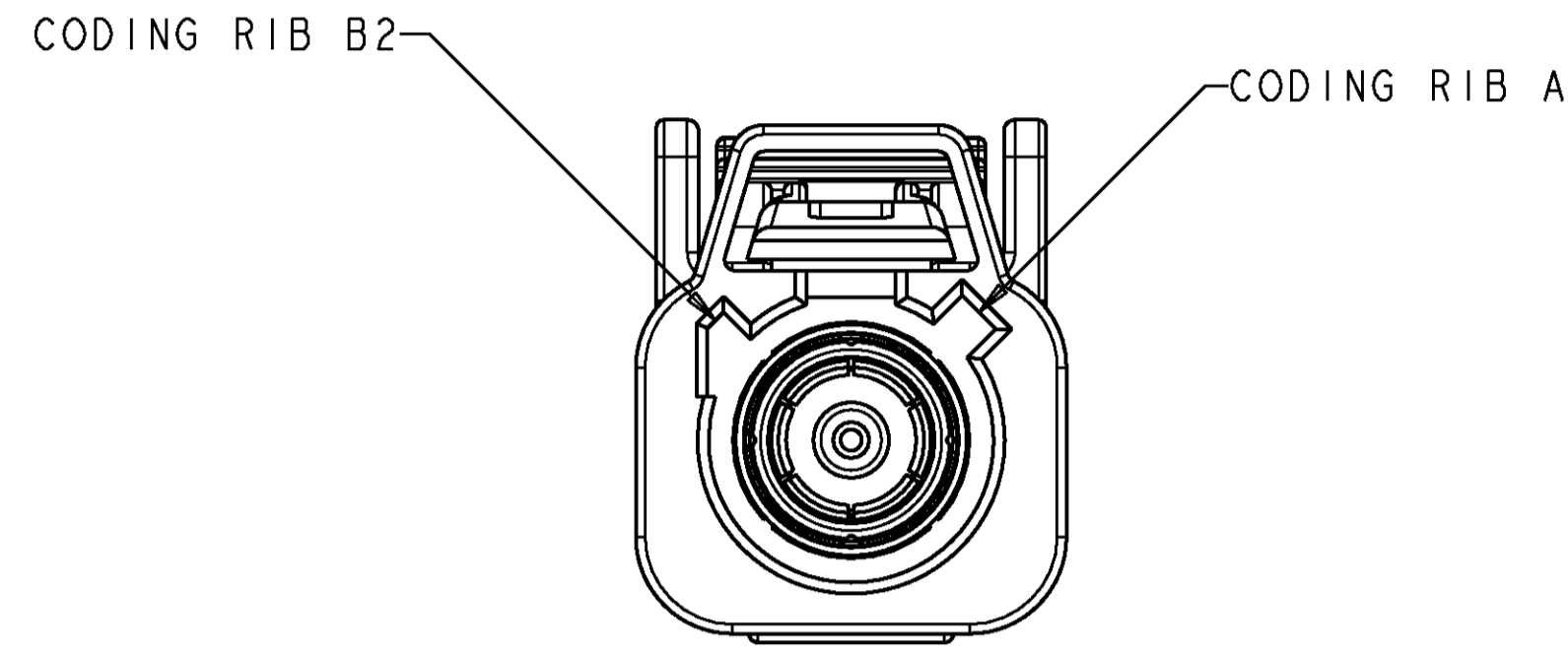
DIMENSIONS:	TOLERANCES UNLESS OTHERWISE SPECIFIED:	OWN	09JUN2005	Tyco Electronics
mm	0 PLC ±	DRG	D. J. HARDY	Tyco Electronics
	1 PLC ±0.25	CHK	J. W. HALL	Harrisburg, PA 17105-3608
	2 PLC ±	APPD	J. W. HALL	
	3 PLC ±	NAME	PLUG KIT, UNASSEMBLED, 1 POSITION, RG-71U/M, 180 DEGREE, FAKRA, SMB	
	4 PLC ±	PRODUCT SPEC		
	ANGLES ±	APPLICATION SPEC		
MATERIAL	FINISH	SIZE	114-13157	
		WEIGHT	00779	
		CUSTOMER DRAWING	SCALE 4:1	

THIS DRAWING IS UNPUBLISHED. RELEASED FOR PUBLICATION 20
 COPYRIGHT 20 BY TYCO ELECTRONICS CORPORATION. ALL RIGHTS RESERVED.

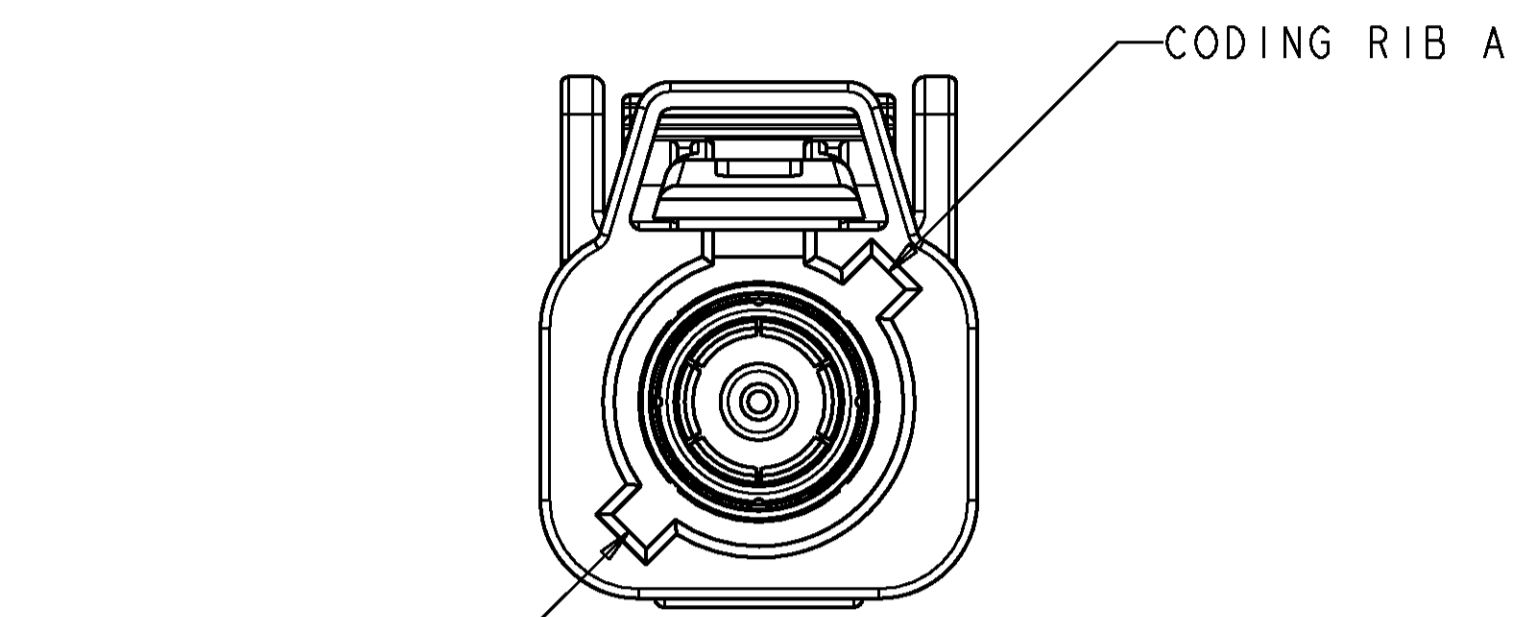
LOC		DIST		REVISIONS					
1	N	0	0	P	LYR	DESCRIPTION	DATE	OWN	APVD
				-		SEE SHEET 1			



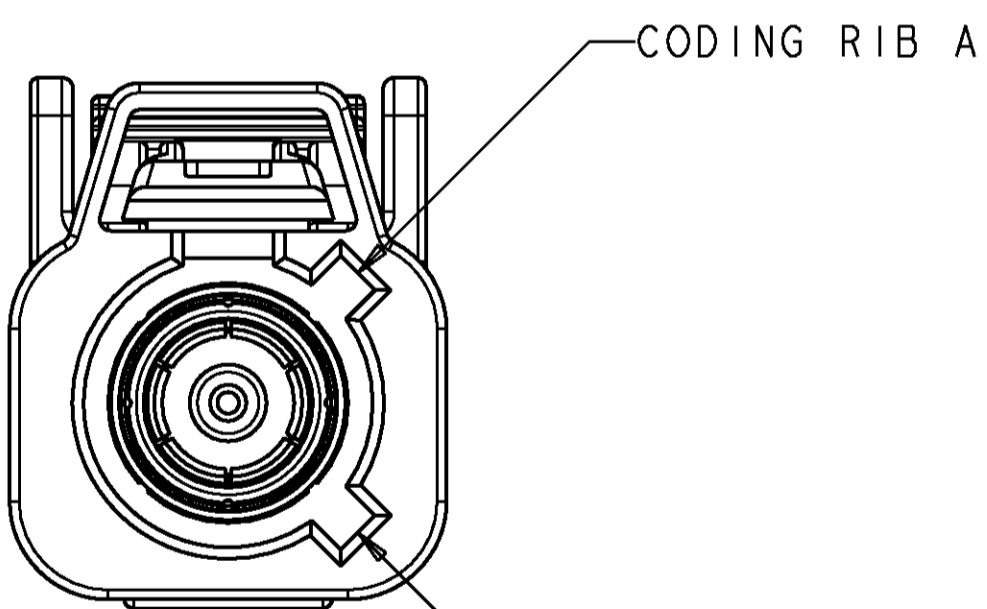
DETAIL A
SCALE 5:1



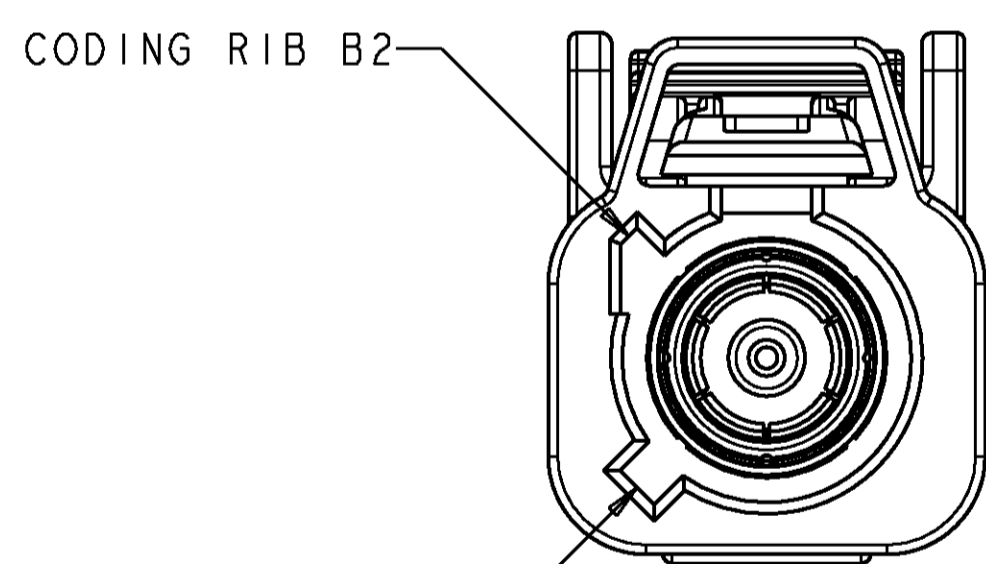
DETAIL B
SCALE 5:1



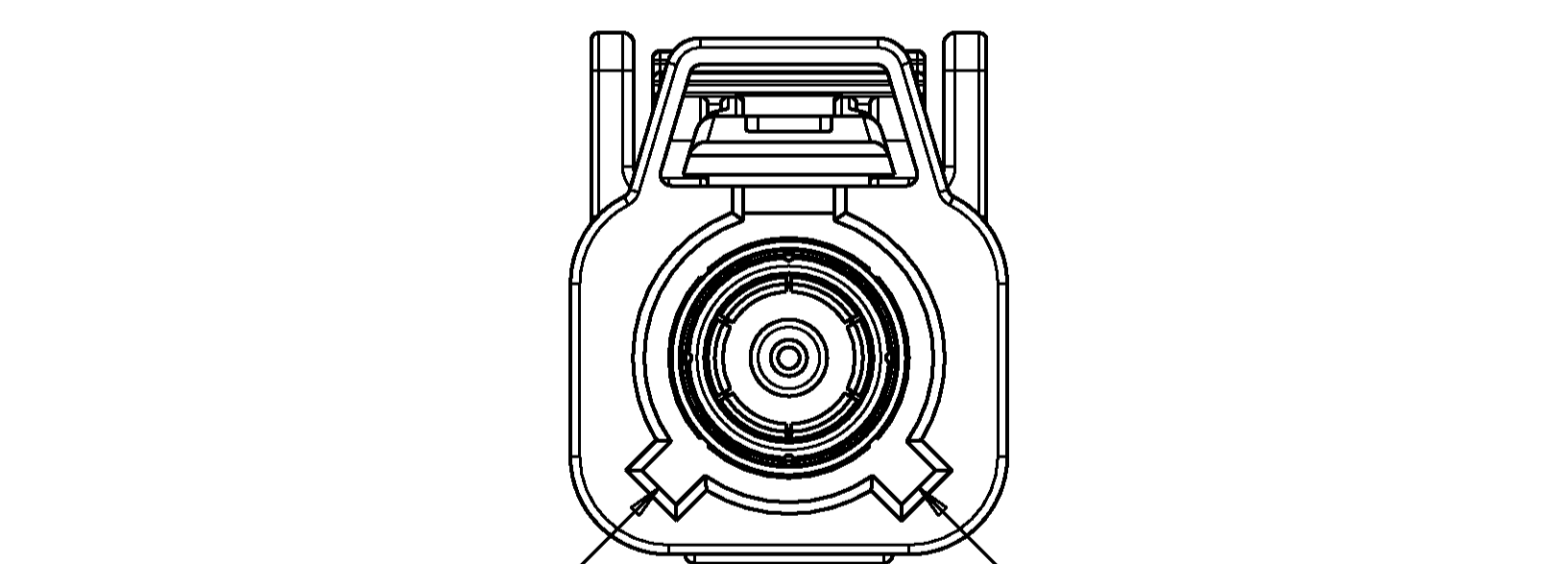
DETAIL C
SCALE 5:1



DETAIL D
SCALE 5:1



DETAIL H
SCALE 5:1



DETAIL K
SCALE 5:1

<small>THE DIMENSIONS OF THIS DRAWING ARE FOR INFORMATION ONLY. THE DIMENSIONS OF THE PARTS SHALL BE GOVERNED BY THE DIMENSIONS OF THE PARTS AS SUPPLIED BY THE MANUFACTURER. THE DIMENSIONS OF THE PARTS SHALL BE GOVERNED BY THE DIMENSIONS OF THE PARTS AS SUPPLIED BY THE MANUFACTURER.</small>		OWN: D. J. HARDY DATE: 09JUN2005 CHK: J. W. HALL DATE: 31AUG2005 APVD: J. W. HALL DATE: 31AUG2005	Tyco Electronics Harrisburg, PA 17105-3608
DIMENSIONS: mm 	TOLERANCES UNLESS OTHERWISE SPECIFIED: 0 PLC ± 1 PLC ± 2 PLC ±0.25 3 PLC ± 4 PLC ± ANGLES ± FINISH	NAME: PLUG KIT, UNASSEMBLED, 1 POSITION, RG-71U/M, 180 DEGREE, FAKRA, SMB PRODUCT SPEC: APPLICATION SPEC: SIZE: A CAGE CODE: 00779 DRAWING NO: 1438958 WEIGHT: CUSTOMER DRAWING	RESTRICTED TO: SCALE: 4:1 SHEET: 2 OF 2 REV: C