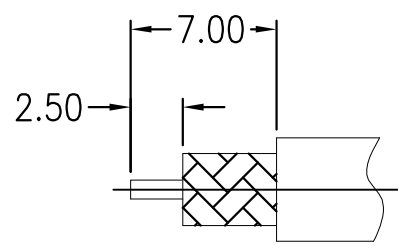
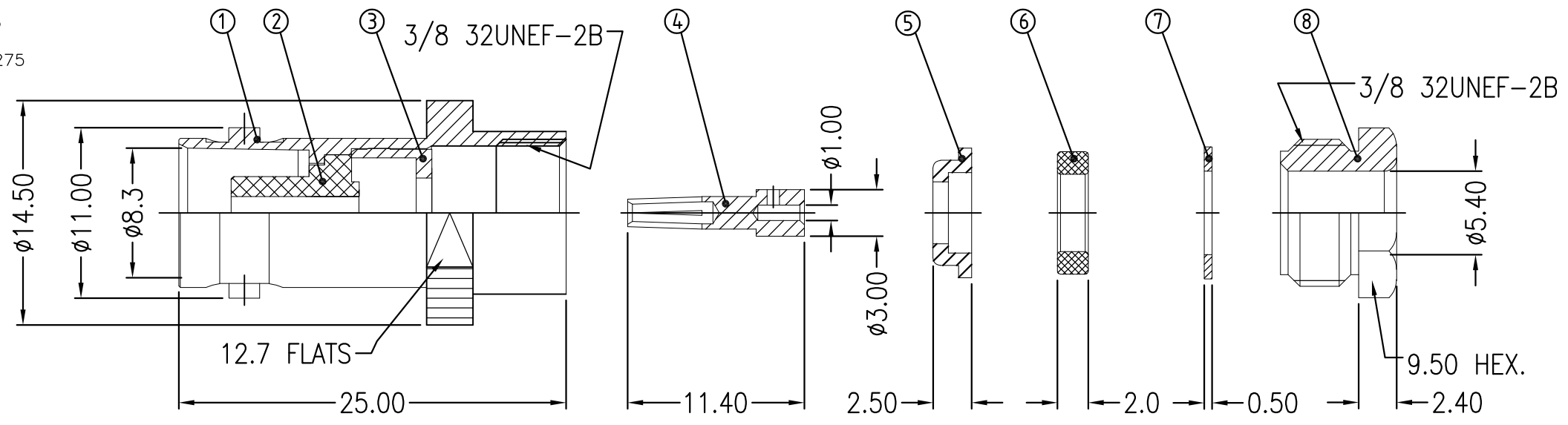


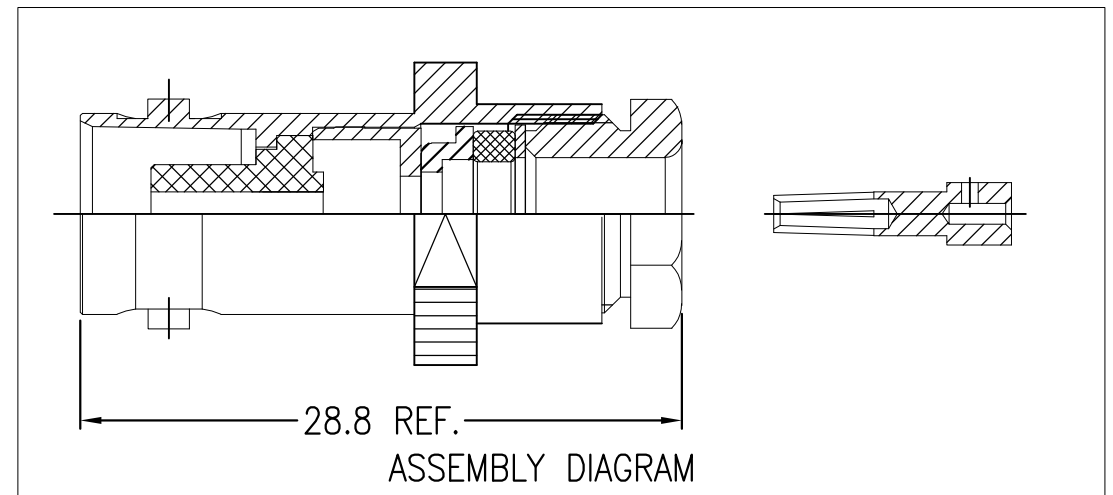
THIS DRAWING IS UNPUBLISHED. RELEASED FOR PUBLICATION
 © COPYRIGHT - By - ALL RIGHTS RESERVED.

| P | LTR | DESCRIPTION | DATE | DWN | APVD |
|---|-----|---------------------------|-----------|-----|------|
| C | | REVISED PER ECR-16-013330 | 20APR2017 | BW | RS |

- NOTES:
- ① SINGLE PACK IN ACCORDANCE WITH AMP SPEC 107-3275
 - ② 100 TRAY PACK IN ACCORDANCE WITH AMP SPEC 107-3275
 - ③ Ag PLATING
 - ④ THIS ITEM MUST BE WHITE
 - 5. REFERENCE INSTRUCTION SHEET : 411-3274



RECOMMENDED CABLE STRIPPING DIM'S



ASSEMBLY DIAGRAM

| QTY | QTY PER ASSY | MATERIAL | DESCRIPTION | ITEM |
|-------------------|--------------|-----------------|-------------|------|
| 1 | 1 | BRASS | NUT | 8 |
| 1 | 1 | BRASS | WASHER | 7 |
| 1 | 1 | SILICON RUBBER | GASKET | 6 |
| 1 | 1 | BRASS | LOCK RING | 5 |
| 1 | 1 | PHOSPHOR BRONZE | CONTACT | 4 |
| 1 | 1 | BRASS | RING | 3 |
| 1 | 1 | PTFE | INSULATION | 2 |
| 1 | 1 | BRASS | BODY | 1 |
| 6--0 | 1--0 | | | |
| | | | | |
| QUANTITY PER ASSY | | PARTS LIST | | |

| | | | | |
|---|--|---------------------------------|--|--------------------|
| THIS DRAWING IS A CONTROLLED DOCUMENT. | | DWN BILL WONG 20APR2017 | TE Connectivity | |
| DIMENSIONS: mm | | CHK ROGER SONG 20APR2017 | | |
| TOLERANCES UNLESS OTHERWISE SPECIFIED: | | APVD ROGER SONG 20APR2017 | NAME BNC STRAIGHT JACK SOLDER(PS) RG58 50 OHM | |
| 0 PLC ± - 1 PLC ± - 2 PLC ± - 3 PLC ± - 4 PLC ± - ANGLES ± - | | PRODUCT SPEC | - | |
| MATERIAL | | APPLICATION SPEC | - | |
| FINISH | | WEIGHT 0 | SIZE A3 | CAGE CODE 00779 |
| | | CUSTOMER DRAWING | DRAWING NO C-1478409 | RESTRICTED TO |
| | | SCALE 1:1 | SHEET 1 OF 1 | REV C |