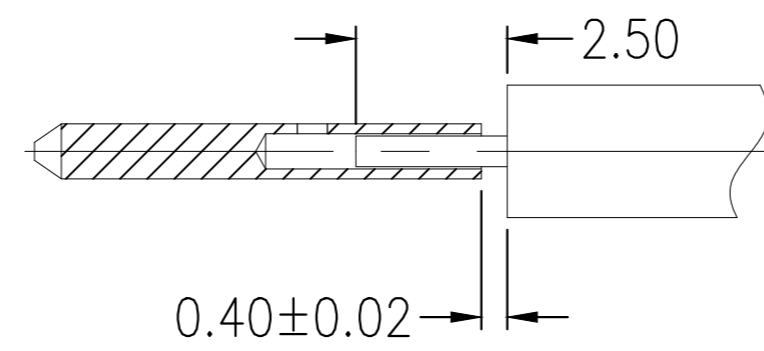
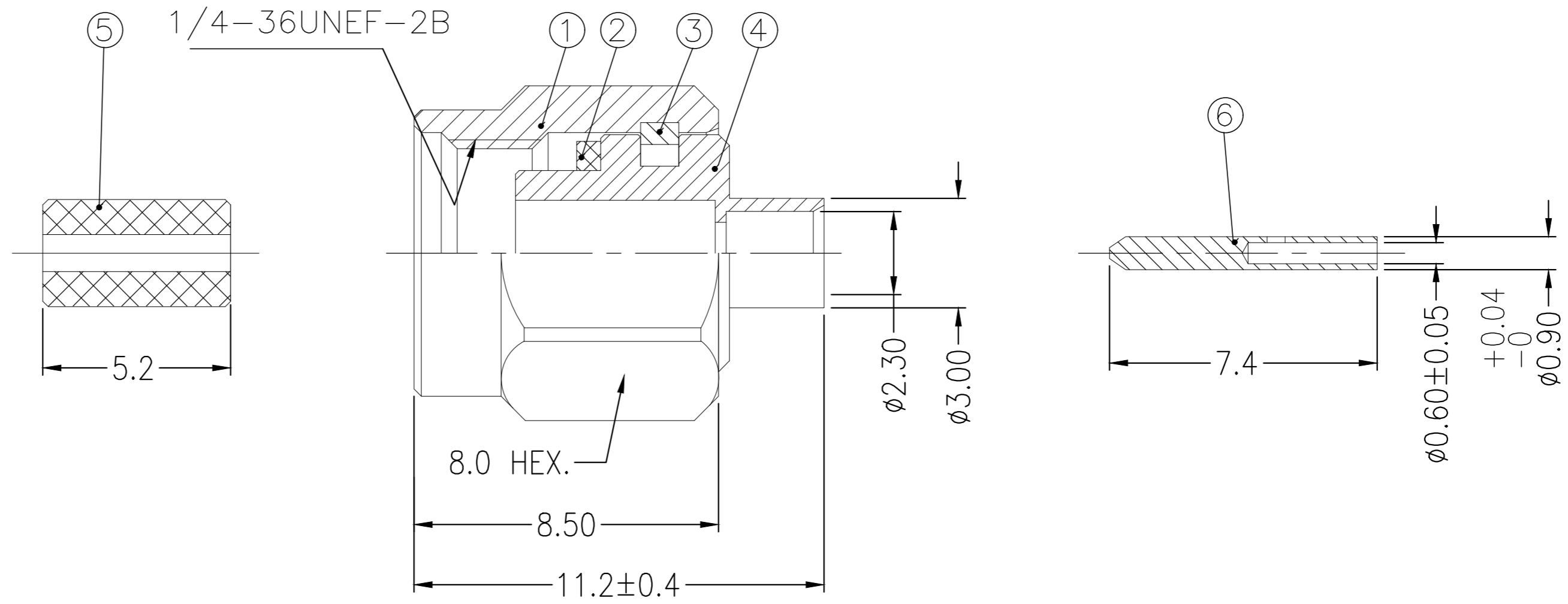


THIS DRAWING IS UNPUBLISHED. RELEASED FOR PUBLICATION APRIL, 2004.
 © COPYRIGHT 2004 By - ALL RIGHTS RESERVED.

REVISIONS					
P	LTR	DESCRIPTION	DATE	DWN	APVD
A2		ECO-18-009885	24JUL2018	RZ	RS

- NOTES:
- ① SINGLE PACK IN ACCORDANCE WITH SPEC 107-3275
 - ② 100 TRAY PACK IN ACCORDANCE WITH SPEC 107-3275
 - ③ 0.08µm Au PLATING OVER 1.27µm Ni PLATING
 - ④ 0.08µm Au PLATING OVER 1.27µm Ni PLATING OVER 0.76µm Cu PLATING
 - ⑤ 0.76µm Au PLATING OVER 1.27µm Ni PLATING OVER 0.76µm Cu PLATING
 - ⑥ PASSIVATED
 - 7 FOR TECHNICAL DATA REFER TO YOUR LOCAL TYCO ELECTRONICS SALES OFFICE
 - 8 ALL DIMENSIONS ARE NOMINAL FOR REFERENCE ONLY UNLESS OTHERWISE STATED



RECOMMENDED CABLE STRIPPING DIM'S

ELECTRICAL	MECHANICAL	ENVIRONMENTAL
Impedance (Ohm) <u>50</u>	Interface Dimension MIL-STD-348B Fig. <u>310-1</u>	TEMPERATURE RANGE <u>-65°C TO + 165°C</u>
Frequency Range (GHz) <u>DC to 12.4GHz</u>	Recommended Coupling Torque <u>7 to 10 In-Lbs</u>	THERMAL SHOCK <u>MIL-STD-202, METH.107, COND.A</u>
Voltage Rating (Peak) <u>@ Sea Level 170 V RMS</u>	Force to Engage and Disengage (In/lbs) <u>2.0 MAX</u>	CORROSION <u>MIL-STD-202, METH.101, COND.B</u>
Insulation Resistance (MIN.) <u>1000 M ohms</u>	Center Contact Captivation	VIBRATION <u>MIL-STD-202, METH.204, COND.D</u>
Contact Resistance (Milliohms MAX)	Axial (Lbs) <u>N/A</u>	SHOCK <u>MIL-STD-202, METH.213, COND.I</u>
Center Contact <u>3.0</u>	Radial (In/Oz) <u>N/A</u>	MOISTURE RESISTANCE <u>MIL-STD-202, METH.106.</u>
Outer Contact <u>2.0</u>	Cable Retention	ROHS <u>COMPLIANT</u>
Dielectric Withstand Voltage: <u>750 V RMS Max</u>	Axial (Lbs) <u>N/A</u>	
Insertion Loss : <u>0.06*SQRT(F) dB</u>	Mating cycles <u>500</u> cycles	
VSWR: <u>1.05 + 0.05*SQRT(F) (GHz)</u>		
RF leakage: <u>N/A</u>		
3rd Intermodulation: <u>N/A</u>		

QTY	1	1	1	1	1	1	MATERIAL	DESCRIPTION	ITEM
	1	1	1	1	1	1	BRASS	① CENTER CONTACT	6
	1	1	1	1	1	1	PTFE	② INSULATOR	5
	1	1	-	-	-	-	BRASS	④ BODY	4
	-	-	1	1	-	-	STAINLESS STEEL	③ BODY	4
	-	-	-	-	1	1	STAINLESS STEEL	⑤ BODY	4
	1	1	1	1	1	1	STAINLESS STEEL	CIRCLIP	3
	1	1	1	1	1	1	SILICON	GASKET	2
	1	1	-	-	-	-	BRASS	⑥ SHELL	1
	-	-	1	1	-	-	STAINLESS STEEL	④ SHELL	1
	-	-	-	-	1	1	STAINLESS STEEL	⑤ SHELL	1
	3--1	3--0	2--1	2--0	1--1	1--0	MATERIAL	DESCRIPTION	ITEM

THIS DRAWING IS A CONTROLLED DOCUMENT.

DWN R.SMITH 28JAN04	TE Connectivity Ltd.				
CHK S.PARLOW 28JAN04					
APVD F.WHEELER-KING 28JAN04					
NAME					
PRODUCT SPEC 108-112003	SMA STRAIGHT PLUG DIRECT SOLDER NON CAPTIVE CENTRE CONTACT RG405/U				
APPLICATION SPEC 408-4765					
MATERIAL SEE TABLE	WEIGHT 0.000000	SIZE A2	CAGE CODE 00779	DRAWING NO C=1478904	RESTRICTED TO -
	CUSTOMER DRAWING	SCALE 8:1	SHEET 1 of 1	REV A2	