

THIS DRAWING IS UNPUBLISHED. RELEASED FOR PUBLICATION DEC ,2003.

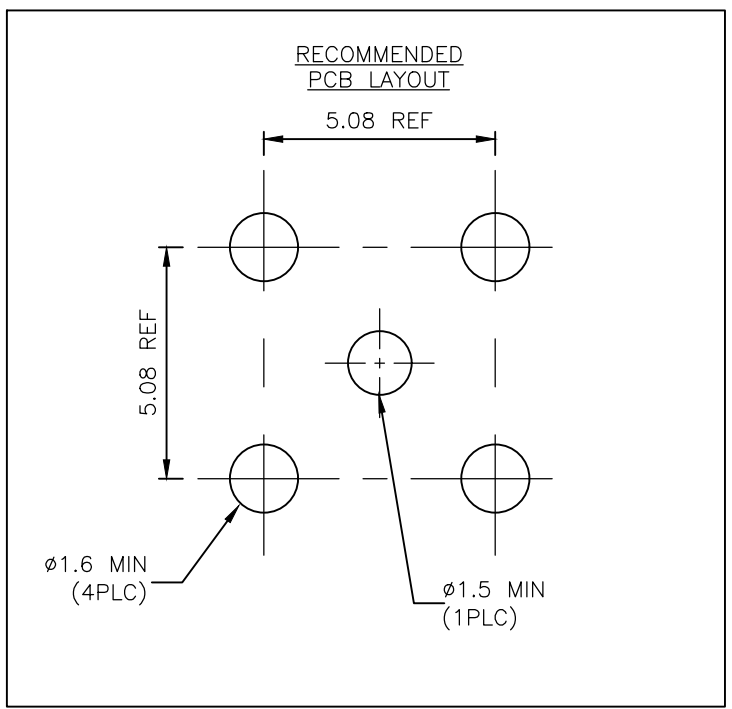
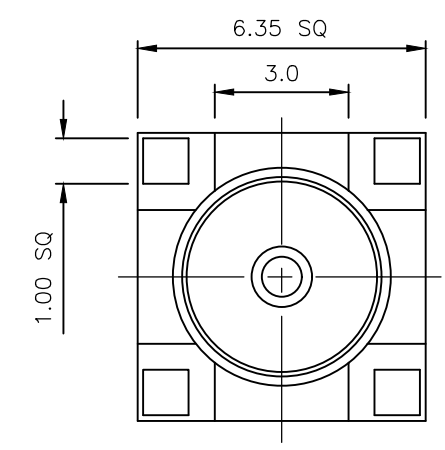
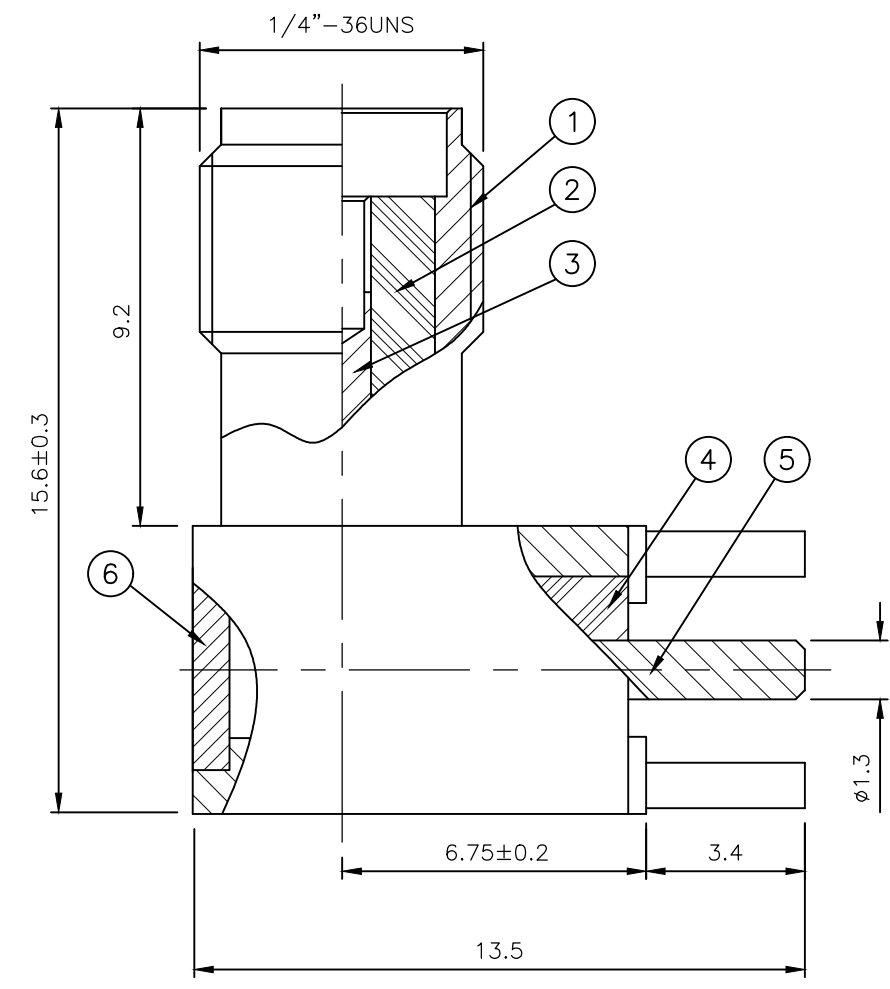
© COPYRIGHT 2003 By - ALL RIGHTS RESERVED.

REVISIONS

P	LTR	DESCRIPTION	DATE	DWN	APVD
	F1	REVISE PER ECR-19-016653	13NOV2019	RZ	RS

NOTES:

- 1. SINGLE PACK IN ACCORDANCE WITH SPEC 107-3275
- 2. 30 TRAY PACK IN ACCORDANCE WITH SPEC 107-3275
- 3. 0.08µm GOLD PLATING
- 4. 0.76µm GOLD PLATING
- 5. ELECTRICAL CHARACTERISTICS  
 FREQUENCY RANGE:  
 STAINLESS STEEL: DC-12.4GHz  
 BRASS: DC-6GHz  
 NOMINAL IMPEDANCE: 50 OHMS  
 INSULATION RESISTANCE: 5000 MOHMS  
 WORKING VOLTAGE: 500 VOLTS MAX.  
 DIELECTRIC WITHSTAND VOLTAGE: 1000 VOLTS MAX.  
 VSWR: 1.23 MAX.  
 RETURN LOSS: DC..6GHz<=-19.73dB  
 INSERTION LOSS: 0.1 dB MAX. @3 GHz  
 CONTACT RESISTANCE: 3 mOHMS  
 CENTRE CONTACT: 2 mOHMS  
 OUTER CONTACT: 2 mOHMS
- 6. MECHANICAL CHARACTERISTICS  
 DURABILITY: 500 CYCLES  
 TORQUE SETTING 0.15-0.20 NM
- 7. ENVIRONMENTAL  
 OPERATING TEMPERATURE: -65~+165°
- 8. FOR TECHNICAL DATA REFER TO YOUR LOCAL TE CONNECTIVITY SALES OFFICE
- 9. ALL DIMENSIONS ARE NOMINAL FOR REFERENCE ONLY UNLESS OTHERWISE STATED



QTY	DESCRIPTION	ITEM
1	BRASS ACCESS CAP	6
1	STAINLESS STEEL ACCESS CAP	6
1	BRASS PIN	5
1	BRASS PIN	5
1	PTFE INSULATOR	4
1	BERYLLIUM COPPER SOCKET	3
1	PHOSPHOR BRONZE SOCKET	3
1	PTFE INSULATOR	2
1	BRASS BODY	1
1	STAINLESS STEEL BODY	1
3--1	MATERIAL	
3--0	DESCRIPTION	
1--1		
1--0		

THIS DRAWING IS A CONTROLLED DOCUMENT.

DWN J.SANDWELL 09DEC03  
 CHK S.PARLOW 09DEC03  
 APVD F.WHEELER-KING 09DEC03

**STE** TE Connectivity

NAME SMA RIGHT ANGLE PCB SOCKET RECEPTACLE

PRODUCT SPEC  
 APPLICATION SPEC

SIZE A3 CAGE CODE 00779 DRAWING NO C-1478978 RESTRICTED TO

WEIGHT 0.000000

CUSTOMER DRAWING SCALE NTS SHEET 1 OF 1 REV F1

DIMENSIONS:	TOLERANCES UNLESS OTHERWISE SPECIFIED:
mm	
0 PLC	± -
1 PLC	± 0.2
2 PLC	± 0.1
3 PLC	± -
4 PLC	± -
ANGLES	± 5°

MATERIAL SEE TABLE FINISH -