

THIS DRAWING IS UNPUBLISHED. RELEASED FOR PUBLICATION 20  
 © COPYRIGHT 20 BY - ALL RIGHTS RESERVED.

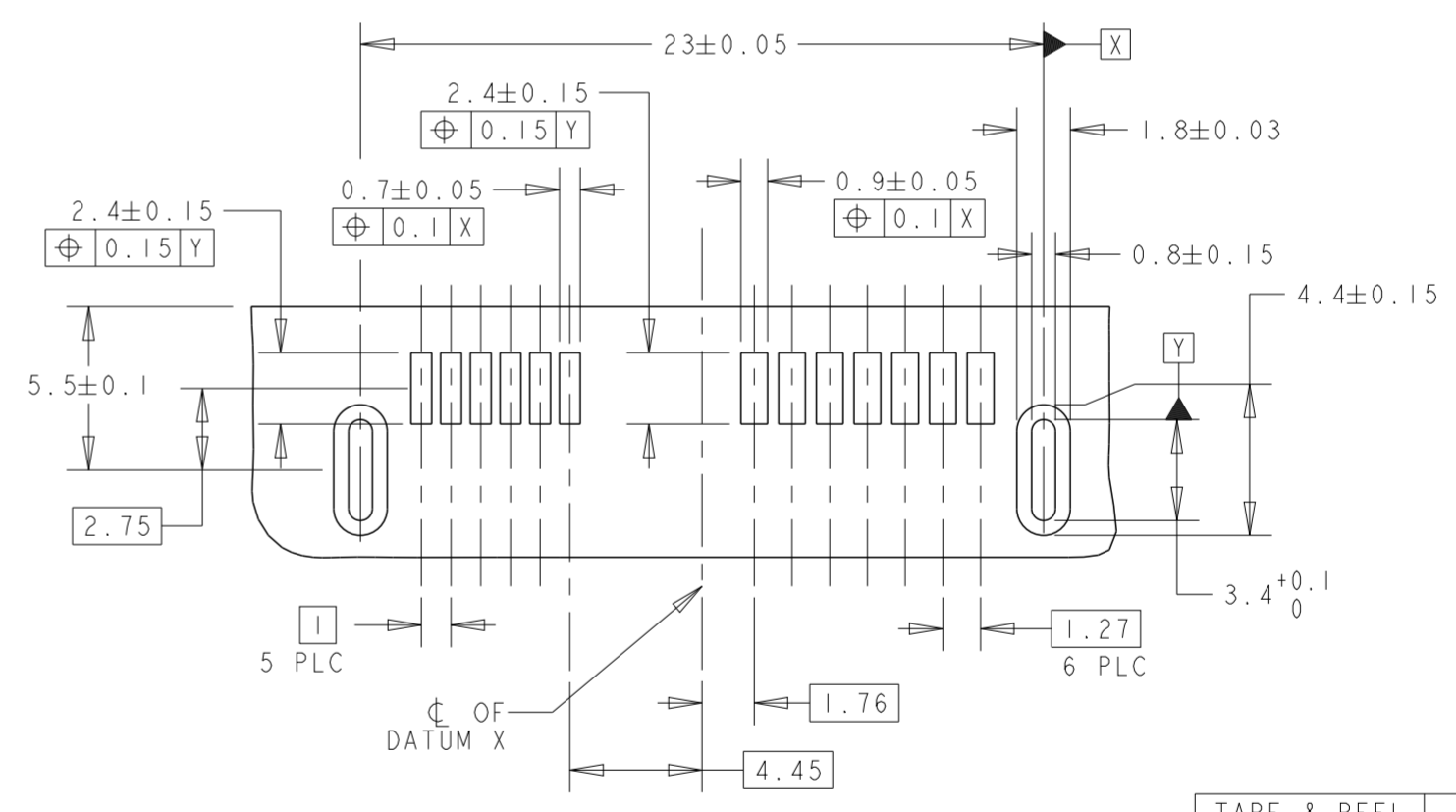
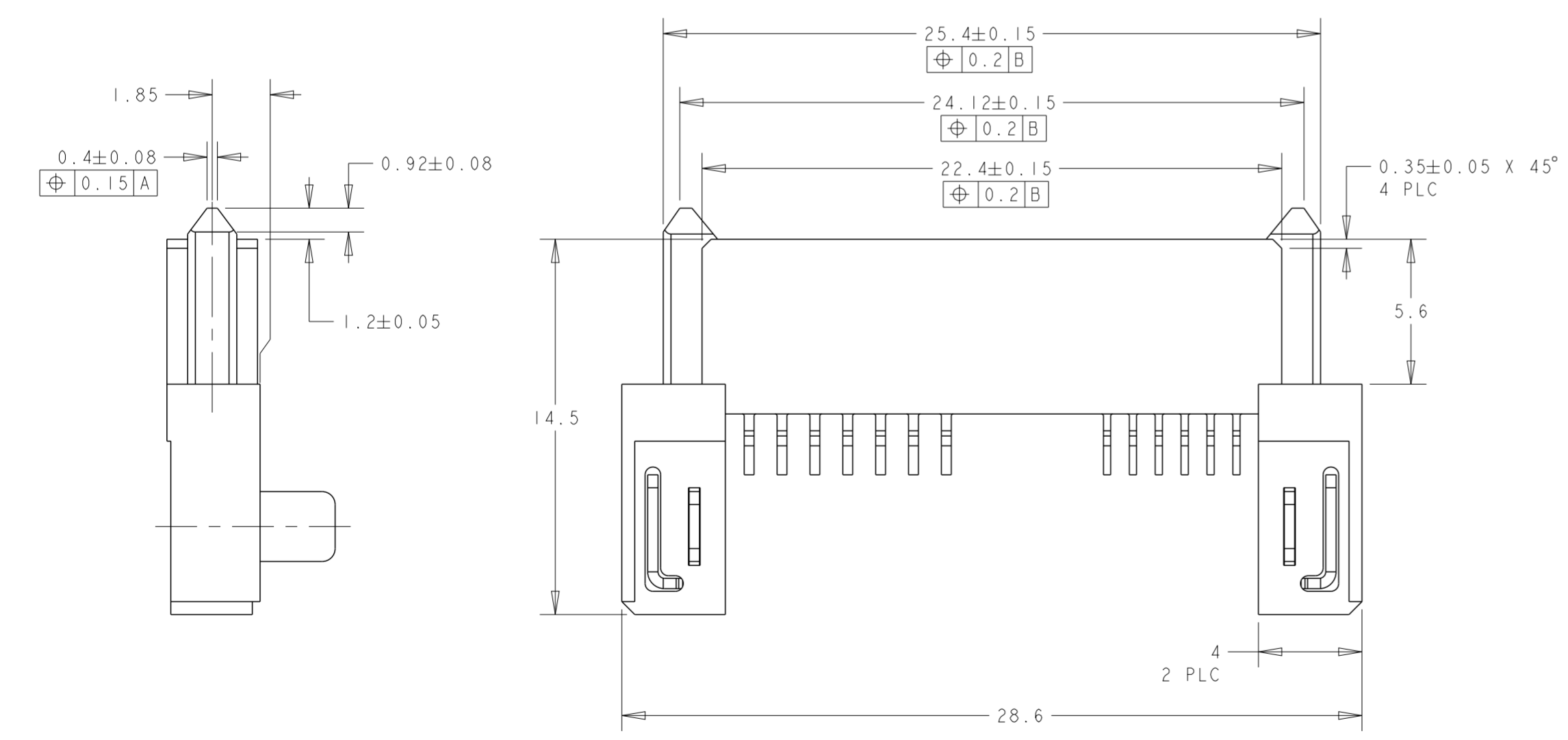
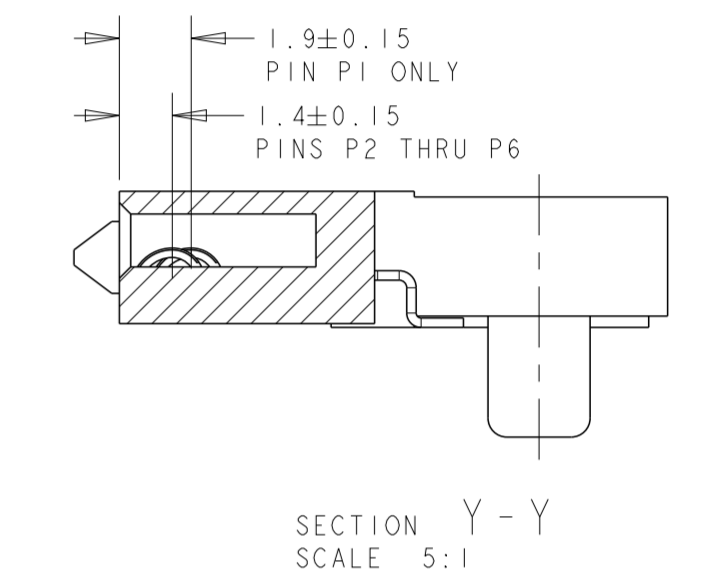
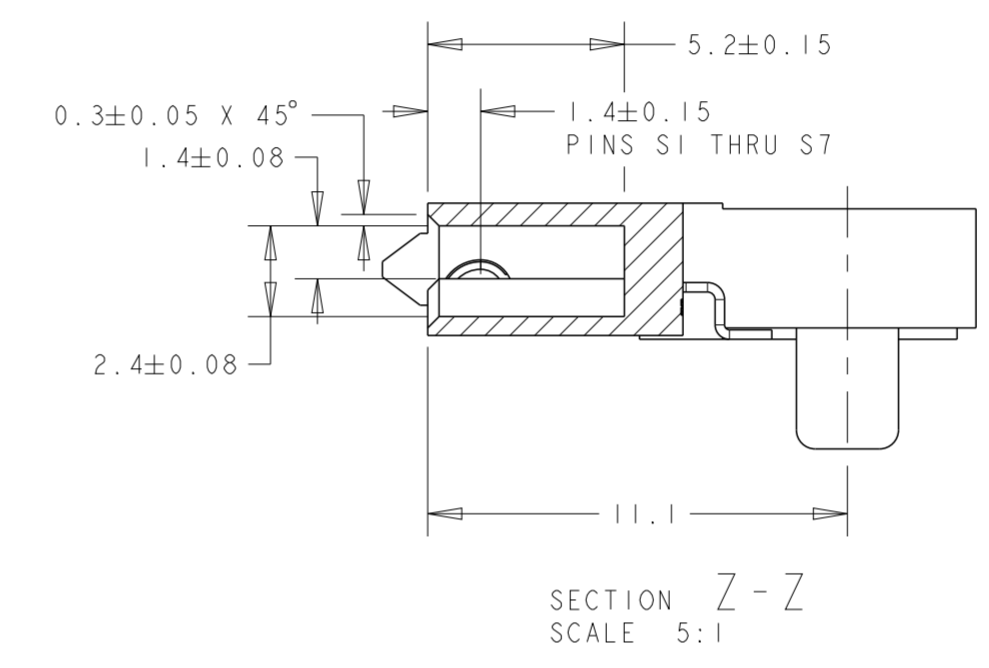
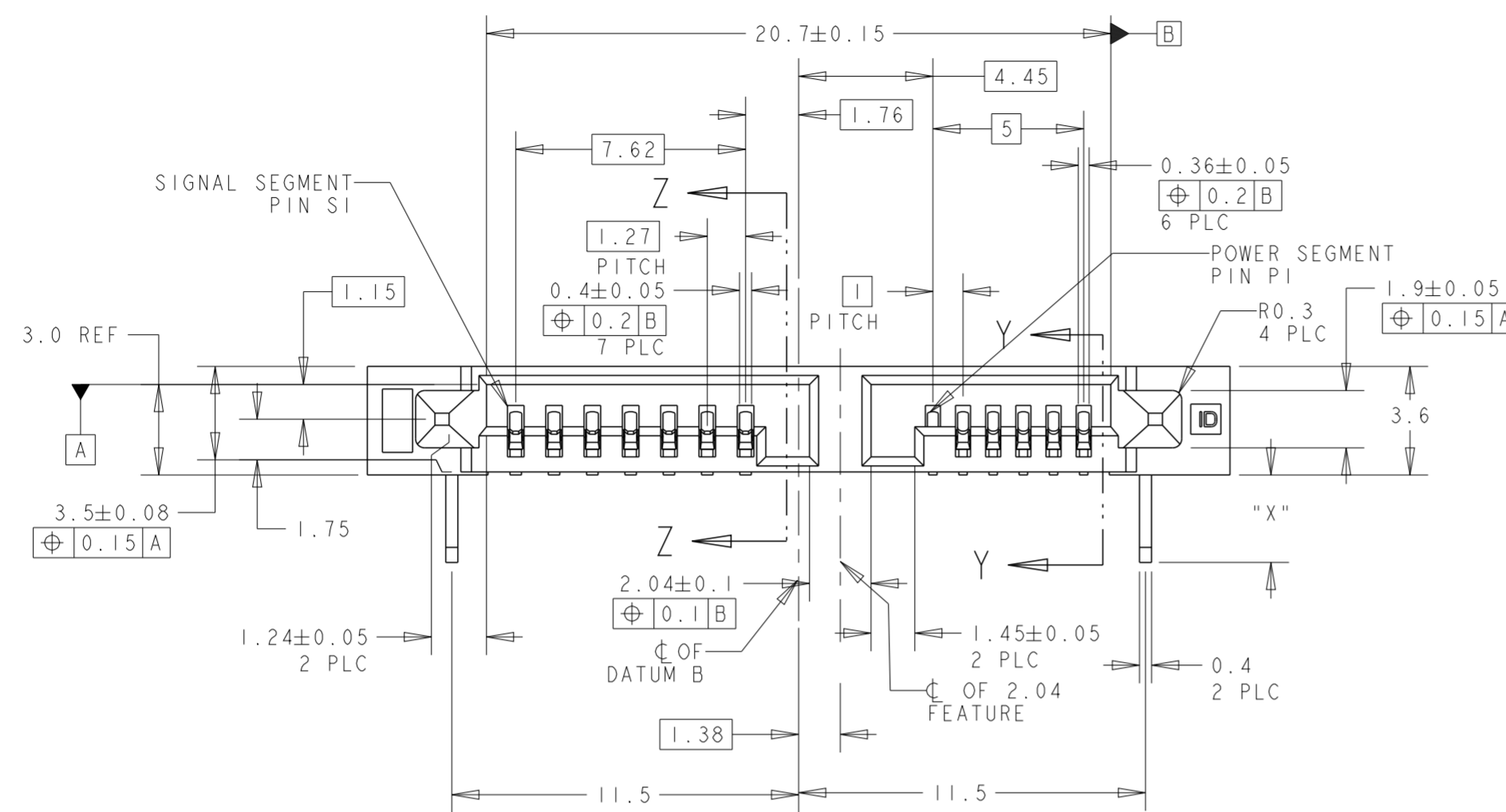
LOC		DIST		REVISIONS			
P	LTR	DESCRIPTION	DATE	DWN	APVD		
C2		REVISED PER ECR-16-011040	2AUG2016	S.W	W.H		

NOTES:

1 MATERIAL:  
 HOUSING: HIGH TEMP THERMOPLASTIC, UL94 V-0, BLACK  
 CONTACT: COPPER ALLOY  
 SOLDER PEG: COPPER ALLOY

2 FINISH:  
 CONTACT : "A" MIN GOLD PLATING AT MATING SIDE AND  
 2.54µm MIN TIN PLATING AT SOLDER TAIL WITH  
 1.27µm MIN NICKEL UNDERPLATING ALL OVER.  
 SOLDER PEG: 2.54µm MIN TIN PLATING WITH  
 1.27µm MIN NICKEL UNDERPLATING ALL OVER.

3. CO-PLANARITY TO BE 0.1mm MAX AFTER 2 PASS REFLOW,  
 PEAK 245 DEGREE CELSIUS



TAPE & REEL		0.76 µm	1-1735413-3
	2.9	0.38 µm	1-1735413-2
		0.05 µm	1-1735413-1
TRAY		0.76 µm	1735413-3
	1.8	0.38 µm	1735413-2
		0.05 µm	1735413-1
PACKAGING TYPE	"X"	"A"	PART NUMBER

THIS DRAWING IS A CONTROLLED DOCUMENT. DWN: KW YAP 09SEP2007

DIMENSIONS: mm TOLERANCES UNLESS OTHERWISE SPECIFIED:

0 PLC	±
1 PLC	±0.20
2 PLC	±0.20
3 PLC	±0.20
4 PLC	±0.20
ANGLES	±1°
FINISH	

MATERIAL: 1 - 2

APVD: SF LEONG  
 PRODUCT SPEC: 108-51075  
 APPLICATION SPEC: -  
 WEIGHT: -  
 CUSTOMER DRAWING

NAME: -  
 SLIMLINE SATA RECEPTACLE 7P+6P  
 RIGHT ANGLE, SMT

SIZE: A2  
 CAGE CODE: 00779  
 DRAWING NO: C-1735413  
 RESTRICTED TO: -

SCALE: 4:1 SHEET 1 OF 1 REV: C2

STE TE Connectivity