

THIS DRAWING IS UNPUBLISHED. RELEASED FOR PUBLICATION SEP. 2005. LOC J DIST

© COPYRIGHT 2005 By - ALL RIGHTS RESERVED. REVISIONS DESCRIPTION DATE DWN APVD

NOTICE: THIS COMMUNICATION INCLUDES TE CONNECTIVITY CONFIDENTIAL OR PROPRIETARY INFORMATION THAT MAY ALSO BE LEGALLY PRIVILEGED. G REVISED PER ECO-21-008223 21DEC2021 AK SZ

D	AVAILABLE	WITHOUT P/N	Au 0.1um MIN OVER PdNi 0.2um MIN	6.28	-	0.5	10.05	-	-	2.2	1.8	WITHOUT BOSS	EMBOSS PACKING (SEE SHEET 2)	WITHOUT FLANGE TYPE (SEE SHEET 8)	1747981-3 (F7)
	AVAILABLE	WITHOUT P/N	Au 0.76um	16.3	M3 x 0.5	0.5	10.05	10.95	7.98	2.2	1.8	WITHOUT BOSS	EMBOSS PACKING (SEE SHEET 3)	WITH FLANGE TYPE (SEE SHEET 7)	1-1747981-9
	AVAILABLE	WITHOUT P/N	Au 0.1um MIN OVER PdNi 0.2um MIN	6.28	-	0.5	10.55	-	-	1.1	1.1	WITHOUT BOSS	EMBOSS PACKING (SEE SHEET 2)	WITHOUT FLANGE TYPE (SEE SHEET 6)	9-1747981-2
	AVAILABLE	WITH P/N	Au 0.1um MIN OVER PdNi 0.2um MIN	-	M3 x 0.5	1.0	10.55	12.75	10.08	2.2	1.8	WITH BOSS	SOFT TRAY PACKING (SEE SHEET 4)	WITH FLANGE TYPE (SEE SHEET 7)	9-1747981-1
	AVAILABLE	WITHOUT P/N	Au 0.1um MIN OVER PdNi 0.2um MIN	16.3	M3 x 0.5	0.5	10.05	10.95	7.98	2.2	1.8	WITHOUT BOSS	EMBOSS PACKING (SEE SHEET 3)	WITH FLANGE TYPE (SEE SHEET 7)	8-1747981-2 2-1747981-5
	AVAILABLE	WITHOUT P/N	Au 0.1um MIN OVER PdNi 0.2um MIN	-	M3 x 0.5	0.5	10.05	10.95	7.98	2.2	1.8	WITHOUT BOSS	CLEAR TRAY PACKING (SEE SHEET 4)	WITH FLANGE TYPE (SEE SHEET 7)	8-1747981-1
	AVAILABLE	WITHOUT P/N	Au 0.1um MIN OVER PdNi 0.2um MIN	-	M3 x 0.5	1.0	10.55	12.75	10.08	2.2	1.8	WITH BOSS	SOFT TRAY PACKING (SEE SHEET 4)	WITH FLANGE TYPE (SEE SHEET 7)	3-1747981-1
	NOT AVAILABLE	WITHOUT P/N	Au 0.1um MIN OVER PdNi 0.2um MIN	16.3	#4-40 UNC	0.5	10.55	12.75	10.08	2.2	1.8	WITH BOSS	EMBOSS PACKING (SEE SHEET 3)	WITH FLANGE TYPE (SEE SHEET 7)	2-1747981-4
	AVAILABLE	WITHOUT P/N	Au 0.76um MIN	16.3	M3 x 0.5	1.0	10.55	12.75	10.08	2.2	1.8	WITHOUT BOSS	EMBOSS PACKING (SEE SHEET 3)	WITH FLANGE TYPE (SEE SHEET 7)	2-1747981-3
C	NOT AVAILABLE	WITHOUT P/N	Au 0.1um MIN OVER PdNi 0.2um MIN	-	#4-40 UNC	0.5	10.05	12.75	10.08	2.2	1.8	WITHOUT BOSS	HARDTRAY PACKING (-)	WITH FLANGE TYPE (SEE SHEET 7)	2-1747981-2
	AVAILABLE	WITHOUT P/N	Au 0.76um MIN	-	M3 x 0.5	1.0	10.55	12.75	10.08	2.2	1.8	WITHOUT BOSS	SOFT TRAY PACKING (SEE SHEET 4)	WITH FLANGE TYPE (SEE SHEET 7)	2-1747981-1
	AVAILABLE	WITHOUT P/N	Au 0.1um MIN OVER PdNi 0.2um MIN	-	M3 x 0.5	1.0	10.55	12.75	10.08	1.5	1.5	WITHOUT BOSS	SOFT TRAY PACKING (SEE SHEET 4)	WITH FLANGE TYPE (SEE SHEET 7)	1-1747981-8
	AVAILABLE	WITHOUT P/N	Au 0.1um MIN OVER PdNi 0.2um MIN	16.3	M3 x 0.5	1.0	10.55	12.75	10.08	2.2	1.8	WITHOUT BOSS	EMBOSS PACKING (SEE SHEET 3)	WITH FLANGE TYPE (SEE SHEET 7)	1-1747981-7
	AVAILABLE	WITHOUT P/N	Au 0.1um MIN OVER PdNi 0.2um MIN	-	M3 x 0.5	0.5	10.05	10.95	7.98	2.2	1.8	WITHOUT BOSS	SOFT TRAY PACKING (SEE SHEET 5)	WITH FLANGE TYPE (SEE SHEET 7)	1-1747981-6
	AVAILABLE	WITHOUT P/N	Au 0.1um MIN OVER PdNi 0.2um MIN	16.3	M3 x 0.5	0.5	10.05	10.95	7.98	1.5	1.5	WITHOUT BOSS	EMBOSS PACKING (SEE SHEET 3)	WITH FLANGE TYPE (SEE SHEET 7)	1-1747981-5
	AVAILABLE	WITHOUT P/N	Au 0.1um MIN OVER PdNi 0.2um MIN	-	M3 x 0.5	1.0	10.55	12.75	10.08	2.2	1.8	WITHOUT BOSS	SOFT TRAY PACKING (SEE SHEET 4)	WITH FLANGE TYPE (SEE SHEET 7)	1-1747981-4
	AVAILABLE	WITHOUT P/N	Au 0.1um MIN OVER PdNi 0.2um MIN	-	#4-40 UNC	0.5	10.05	12.75	10.08	2.2	1.8	WITHOUT BOSS	SOFT TRAY PACKING (SEE SHEET 4)	WITH FLANGE TYPE (SEE SHEET 7)	1-1747981-3
B	AVAILABLE	WITHOUT P/N	Au 0.1um MIN OVER PdNi 0.2um MIN	-	M3 x 0.5	0.5	10.05	10.95	7.98	1.5	1.5	WITHOUT BOSS	SOFT TRAY PACKING (SEE SHEET 4)	WITH FLANGE TYPE (SEE SHEET 7)	1-1747981-2
	AVAILABLE	WITHOUT P/N	Au 0.1um MIN OVER PdNi 0.2um MIN	-	M3 x 0.5	0.5	10.05	10.95	7.98	2.2	1.8	WITHOUT BOSS	SOFT TRAY PACKING (SEE SHEET 4)	WITH FLANGE TYPE (SEE SHEET 7)	1-1747981-1
	AVAILABLE	WITHOUT P/N	Au 0.1um MIN OVER PdNi 0.2um MIN	6.28	-	0.5	10.05	-	-	1.5	1.5	WITHOUT BOSS	EMBOSS PACKING (SEE SHEET 2)	WITHOUT FLANGE TYPE (SEE SHEET 6)	1747981-2
	AVAILABLE	WITHOUT P/N	Au 0.1um MIN OVER PdNi 0.2um MIN	6.28	-	0.5	10.05	-	-	2.2	1.8	WITHOUT BOSS	EMBOSS PACKING (SEE SHEET 2)	WITHOUT FLANGE TYPE (SEE SHEET 6)	1747981-1
	AVAILABLE	WITHOUT P/N	Au 0.76um MIN	6.28	-	0.5	10.05	-	-	2.2	1.8	WITHOUT BOSS	EMBOSS PACKING (SEE SHEET 2)	WITHOUT FLANGE TYPE (SEE SHEET 6)	3-1747981-2

- 1 CONTACT COPLANALITY IS 0.1 MAXIMUM.
- △ THIS DIMENSION MEANS CENTER OF THE POCKET.
- △ FINISH
- △ CONTACT: CONTACT AREA J: SEE TABLE
- 2μm MIN Sn PLATING ON SOLDERING AREA
- 2μm MIN Ni UNDER PLATING ALL OVER
- SHELL: 1μm MIN Sn PLATING ALL OVER
- 1μm MIN Ni UNDER PLATING ALL OVER
- △ REFER TO THE TABLE FOR BO
- △ SCREW SIZE
- △ PART NUMBER MAKING

THIS DRAWING IS A CONTROLLED DOCUMENT.

DWN Y. HIRATA 15SEP2005  
CHK T. KIMURA 15SEP2005  
APVD K. IKEGAMI 15SEP2005

NAME: TE Connectivity  
HDMI 19 POS RECEPTACLE ASSY SMT TYPE -LEAD FREE-

108-78180-1

SIZE: A3 CAGE CODE: 00779 DRAWING NO: C-1747981 RESTRICTED TO: -

CUSTOMER DRAWING SCALE: NTS SHEET: 1 of 9 REV: G

THIS DRAWING IS UNPUBLISHED.

RELEASED FOR PUBLICATION

SEP. 2005.

© COPYRIGHT 2005 By -

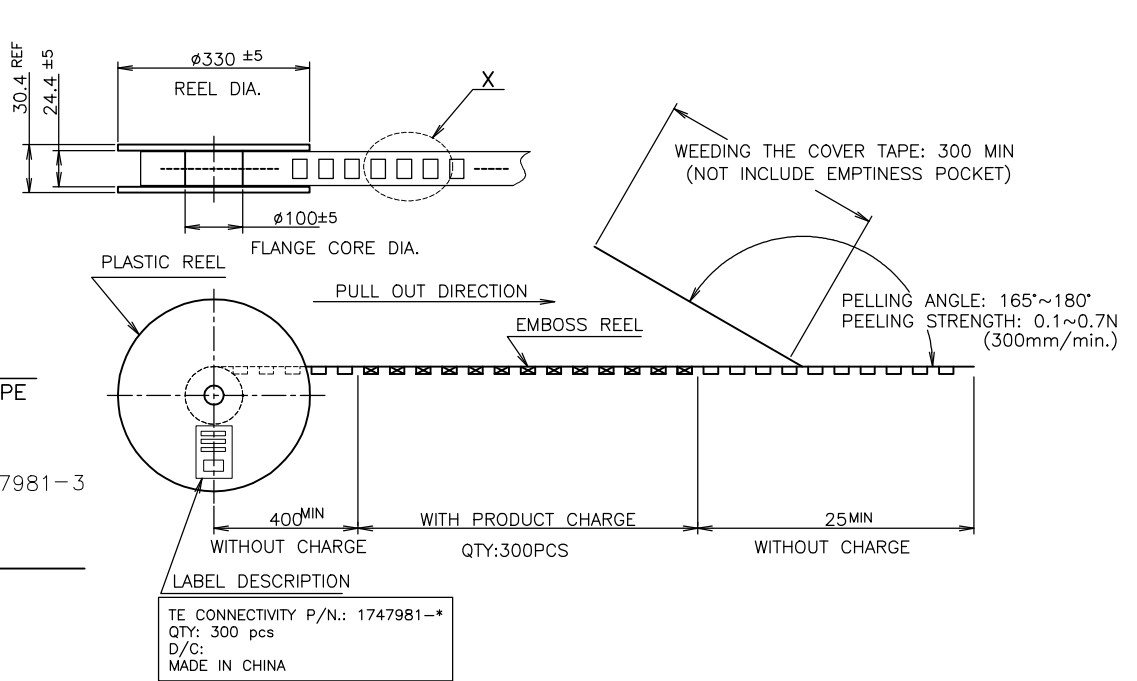
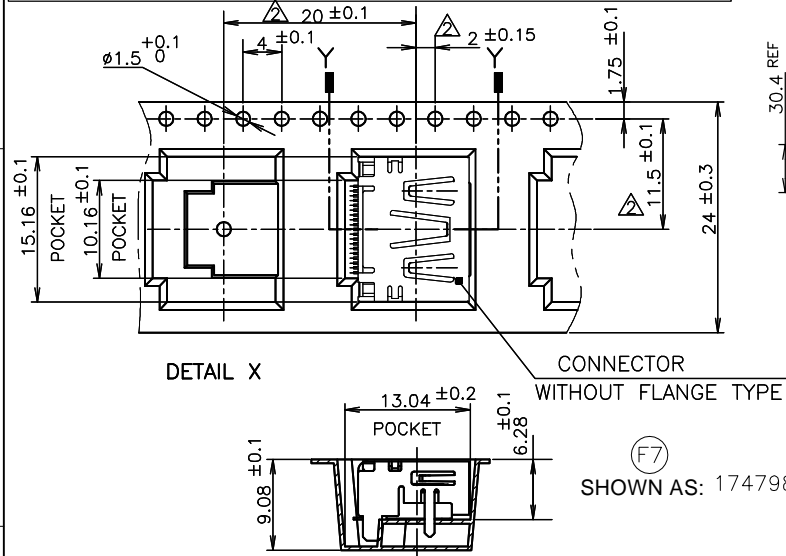
ALL RIGHTS RESERVED.

LOC J DIST

REVISIONS

P	LTR	DESCRIPTION	DATE	DWN	APVD
-	-	SEE SHEET 1	-	-	-

NOTICE: THIS COMMUNICATION INCLUDES TE CONNECTIVITY CONFIDENTIAL OR PROPRIETARY INFORMATION THAT MAY ALSO BE LEGALLY PRIVILEGED.



SHOWN AS:  
 3-1747981-2  
 9-1747981-2  
 1747981-2  
 1747981-1

OB

300	WITHOUT	WITHOUT FLANGE TYPE	1747981-3
300	WITH	WITHOUT FLANGE TYPE	3-1747981-2
300	WITH	WITHOUT FLANGE TYPE	9-1747981-2
300	WITH	WITHOUT FLANGE TYPE	1747981-2
300	WITH	WITHOUT FLANGE TYPE	1747981-1
QTY	MYLAR	CONNECTOR TYPE	PART NUMBER

THIS DRAWING IS A CONTROLLED DOCUMENT.

DIMENSIONS: mm

TOLERANCES UNLESS OTHERWISE SPECIFIED:

0 PLC	± 0.2
1 PLC	± 0.2
2 PLC	± 0.2
3 PLC	± 0.2
4 PLC	± 0.2
ANGLES	± -

MATERIAL

FINISH

DWN

CHK

APVD

PRODUCT SPEC

APPLICATION SPEC

WEIGHT

CUSTOMER DRAWING



TE Connectivity

NAME

HDMI 19 POS

RECEPTACLE ASSY SMT TYPE

-LEAD FREE-

SIZE

CAGE CODE

DRAWING NO

RESTRICTED TO

A3

000779

C=1747981

-

SCALE

NTS

SHEET

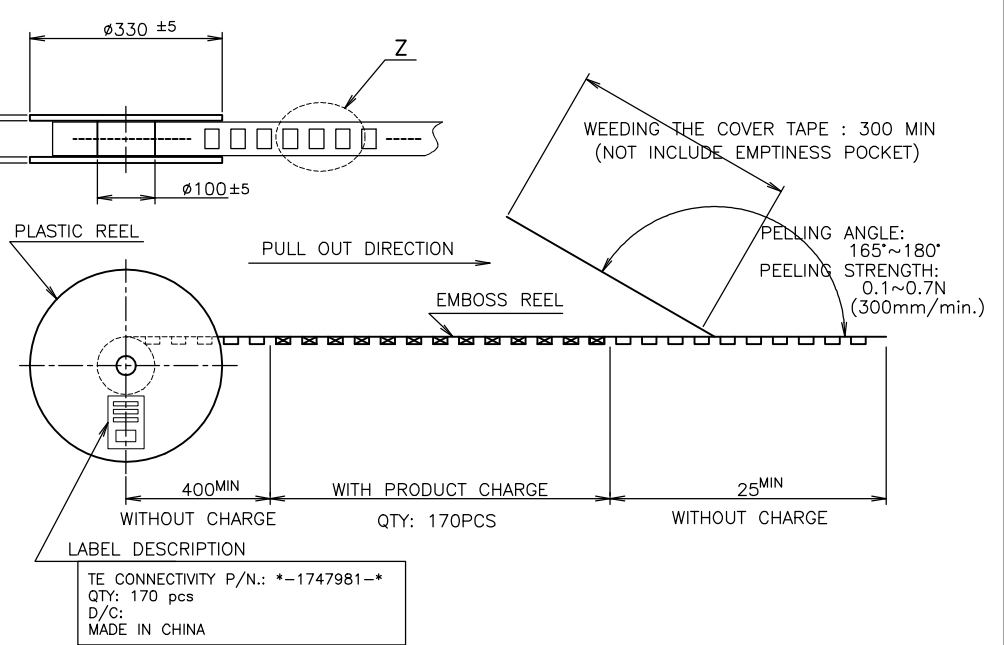
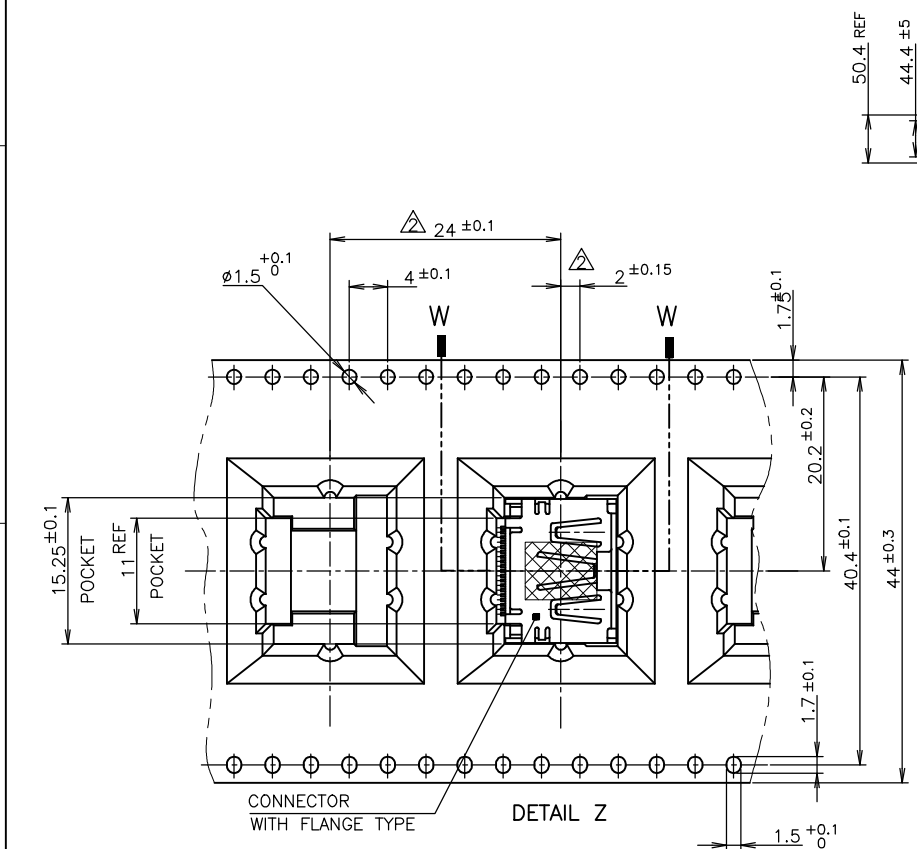
2 of 9

REV

G

NOTICE: THIS COMMUNICATION INCLUDES TE CONNECTIVITY CONFIDENTIAL OR PROPRIETARY INFORMATION THAT MAY ALSO BE LEGALLY PRIVILEGED.

LOC	DIST	REVISIONS			
P	LTR	DESCRIPTION	DATE	DWN	APVD
J		SEE SHEET 1	-	-	-



TE CONNECTIVITY P/N.: \*-1747981-\*  
 QTY: 170 pcs  
 D/C:  
 MADE IN CHINA

170	WITH FLANGE TYPE	1-1747981-9
170	WITH FLANGE TYPE	8-1747981-2
170	WITH FLANGE TYPE	2-1747981-5
170	WITH FLANGE TYPE	2-1747981-4
170	WITH FLANGE TYPE	2-1747981-3
170	WITH FLANGE TYPE	1-1747981-7
170	WITH FLANGE TYPE	1-1747981-5
QTY	CONNECTOR TYPE	PART NUMBER

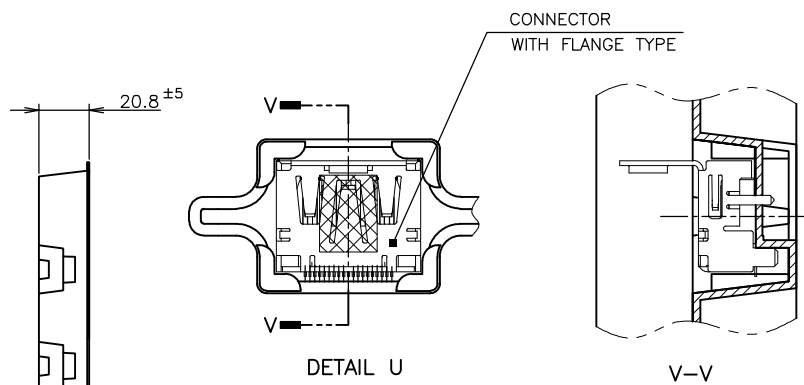
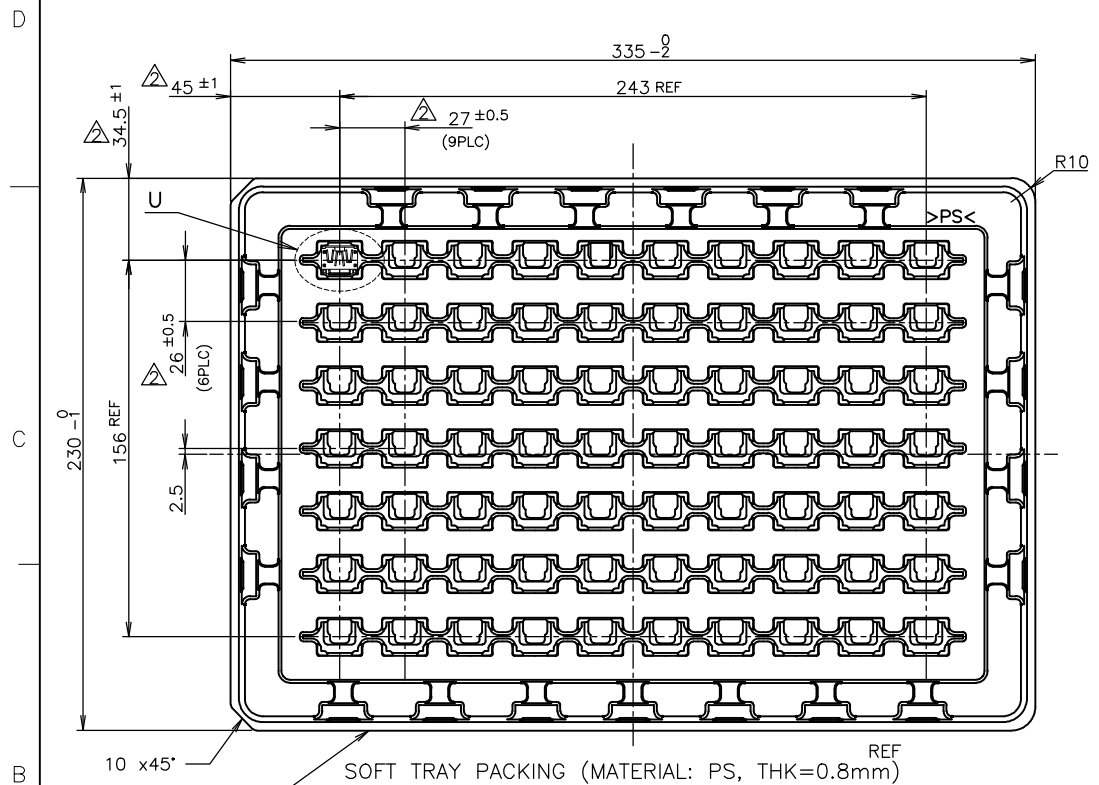
THIS DRAWING IS A CONTROLLED DOCUMENT.

DIMENSIONS: mm	TOLERANCES UNLESS OTHERWISE SPECIFIED:	DIN	TE Connectivity			
0 PLC ± 0.2	1 PLC ± 0.2	CHK	HDMI 19 POS			
2 PLC ± 0.2	3 PLC ± 0.2	APVD	RECEPTACLE ASSY SMT TYPE			
4 PLC ± 0.2	ANGLES ±	PRODUCT SPEC	-LEAD FREE-			
MATERIAL	FINISH	APPLICATION SPEC	SIZE	CAGE CODE	DRAWING NO	RESTRICTED TO
		WEIGHT	A3	00779	C=1747981	
CUSTOMER DRAWING			SCALE	NTS	SHEET	3 of 9
			REV			

70 WITH FLANGE TYPE 1-1747981-9

THIS DRAWING IS UNPUBLISHED. RELEASED FOR PUBLICATION SEP. 2005. ALL RIGHTS RESERVED.

LOC	DIST	REVISIONS			
P	LTR	DESCRIPTION	DATE	DWN	APVD
J		SEE SHEET 1			



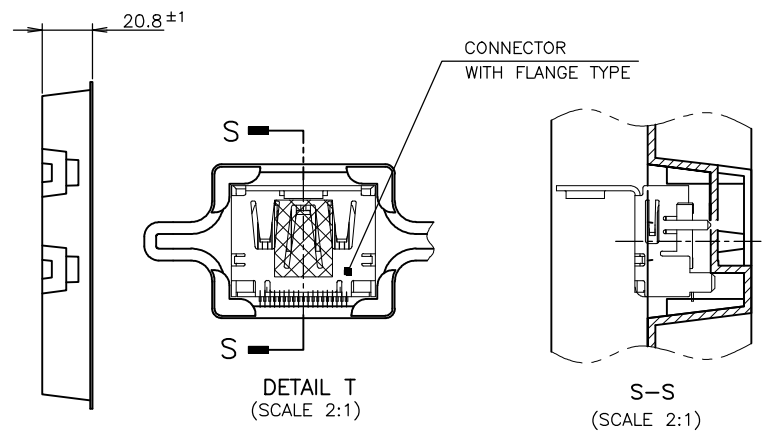
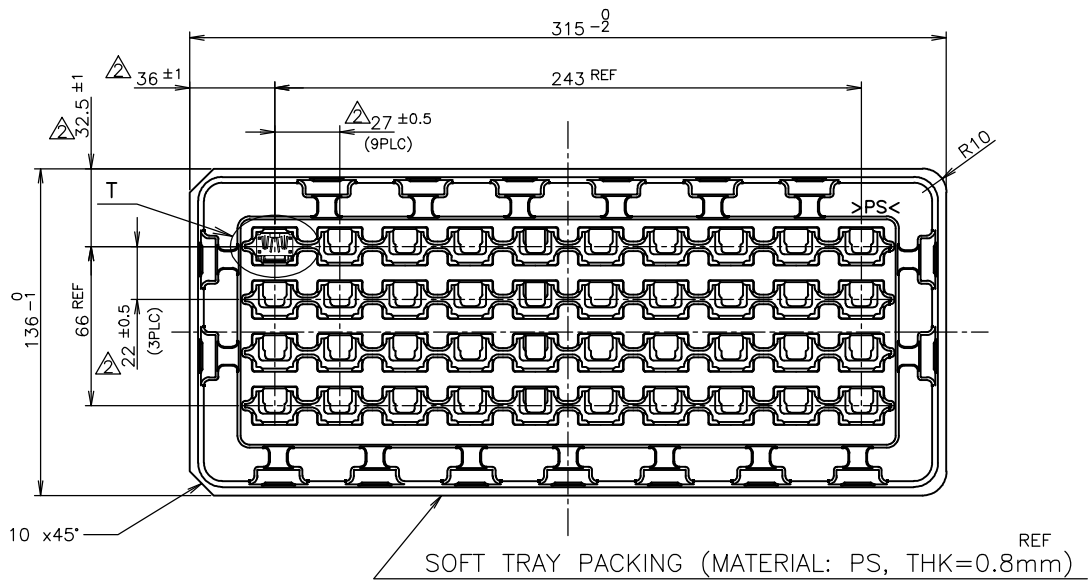
70	WITH FLANGE TYPE	9-1747981-1
70	WITH FLANGE TYPE	8-1747981-1
70	WITH FLANGE TYPE	3-1747981-1
70	WITH FLANGE TYPE	2-1747981-1
70	WITH FLANGE TYPE	1-1747981-8
70	WITH FLANGE TYPE	1-1747981-4
70	WITH FLANGE TYPE	1-1747981-3
70	WITH FLANGE TYPE	1-1747981-2
70	WITH FLANGE TYPE	1-1747981-1
QTY	CONNECTOR TYPE	PART NUMBER

NOTICE: THIS COMMUNICATION INCLUDES TE CONNECTIVITY CONFIDENTIAL OR PROPRIETARY INFORMATION THAT MAY ALSO BE LEGALLY PRIVILEGED.

THIS DRAWING IS A CONTROLLED DOCUMENT.		DWN	TE Connectivity	
DIMENSIONS: mm		CHK	NAME	
TOLERANCES UNLESS OTHERWISE SPECIFIED:		APVD	HDMI 19 POS	
0 PLC ± 0.2		PRODUCT SPEC	RECEPTACLE ASSY SMT TYPE	
1 PLC ± 0.2		APPLICATION SPEC	-LEAD FREE-	
2 PLC ± 0.2 ± 0.3		SIZE	CAGE CODE	DRAWING NO
3 PLC ± 0.2		A3	00779	C=1747981
4 PLC ± 0.2		WEIGHT	RESTRICTED TO	
ANGLES ±		CUSTOMER DRAWING	SCALE	SHEET
MATERIAL	FINISH		NTS	4 of 9

THIS DRAWING IS UNPUBLISHED. RELEASED FOR PUBLICATION SEP. 2005. ALL RIGHTS RESERVED.

LOC		DIST		REVISIONS			DATE	DWN	APVD
P	LTR	DESCRIPTION							
J		-		SEE SHEET 1					



NOTICE: THIS COMMUNICATION INCLUDES TE CONNECTIVITY CONFIDENTIAL OR PROPRIETARY INFORMATION THAT MAY ALSO BE LEGALLY PRIVILEGED.

THIS DRAWING IS A CONTROLLED DOCUMENT.

DIMENSIONS: mm	TOLERANCES UNLESS OTHERWISE SPECIFIED:
0 PLC	± 0.2
1 PLC	± 0.2
2 PLC	± 0.2 ± 0.3
3 PLC	± 0.2
4 PLC	± 0.2
ANGLES	± -
MATERIAL	FINISH

40	WITH FLANGE TYPE	1-1747981-6
QTY	CONNECTOR TYPE	PART NUMBER
NAME: HDMI 19 POS RECEPTACLE ASSY SMT TYPE -LEAD FREE-		
SIZE: A3	CAGE CODE: 00779	DRAWING NO: C=1747981
CUSTOMER DRAWING		RESTRICTED TO: -
SCALE: NTS	SHEET: 5 of 9	REV: -

THIS DRAWING IS UNPUBLISHED.

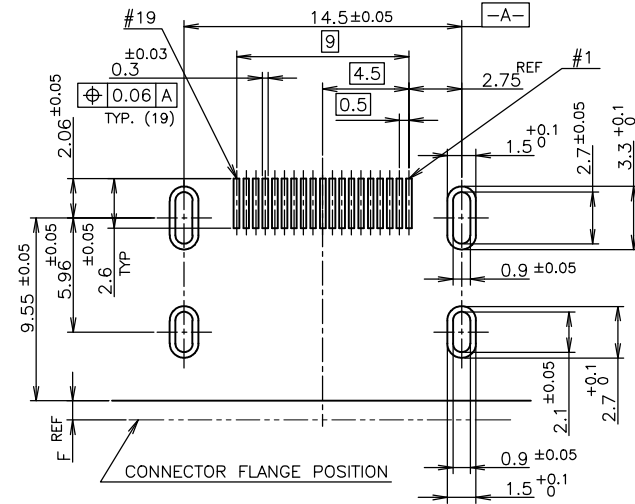
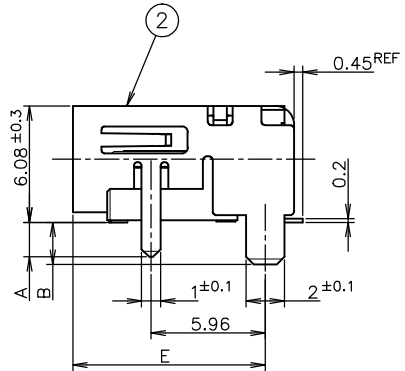
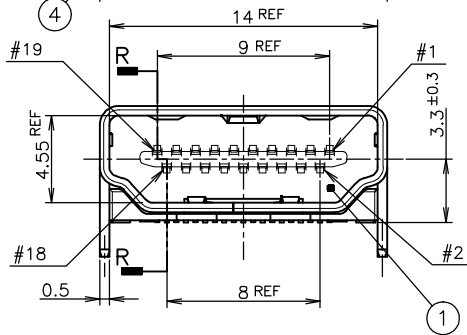
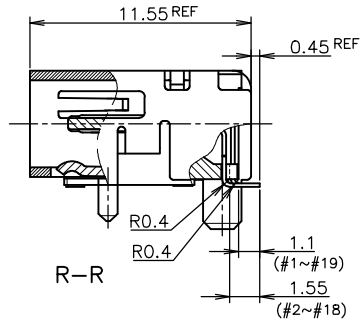
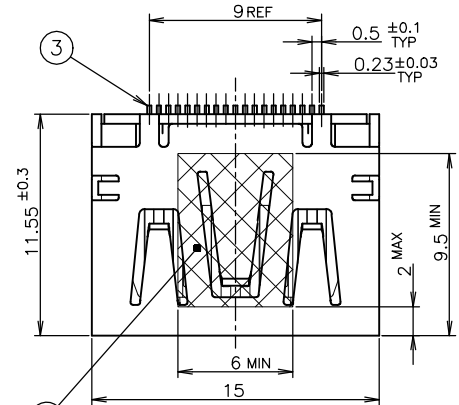
RELEASED FOR PUBLICATION

SEP. 2005.

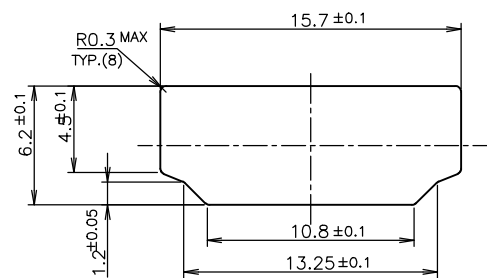
© COPYRIGHT 2005 By -

ALL RIGHTS RESERVED.

LOC	DIST	REVISIONS			
P	LTR	DESCRIPTION	DATE	DWN	APVD
-	-	SEE SHEET 1	-	-	-



P.C.B LAYOUT  
SHOWN AS CONNECTOR MOUNTING SIDE  
TOLERANCE: NON-CUMULATIVE  
(REFERENCE)



PANEL CUT OUT DIMENSION  
(REFERENCE)

CONNECTOR WITHOUT FLANGE TYPE

NOTICE: THIS COMMUNICATION INCLUDES TE CONNECTIVITY CONFIDENTIAL OR PROPRIETARY INFORMATION THAT MAY ALSO BE LEGALLY PRIVILEGED.

THICKNESS	COLOR	MATERIAL	QTY	DISCRIPTION	ITEM
0.08mm	Brown	POLYIMIDE	1	POLYIMIDE TAPE	④
		COPPER ALLOY	19	CONTACT	③
		COPPER ALLOY	1	SHELL	②
		THERMOPLASTIC UL94V-0, BLACK COLOR	1	HOUSING	①
FINISH		MATERIAL	QTY	DISCRIPTION	ITEM

THIS DRAWING IS A CONTROLLED DOCUMENT.

DIMENSIONS: mm	TOLERANCES UNLESS OTHERWISE SPECIFIED:	DWN	TE Connectivity	
	0 PLC ± 0.2	CHK	NAME	
	1 PLC ± 0.2	APVD	HDMI 19 POS	
	2 PLC ± 0.2	PRODUCT SPEC	RECEPTACLE ASSY SMT TYPE	
	3 PLC ± 0.2	APPLICATION SPEC	-LEAD FREE-	
	4 PLC ± 0.2	WEIGHT	SIZE	CAGE CODE
	ANGLES ± ±		A3	00779
MATERIAL	FINISH	CUSTOMER DRAWING	DRAWING NO	RESTRICTED TO
			C=1747981	
		SCALE 4:1	SHEET 6 OF 9	REV

THIS DRAWING IS UNPUBLISHED.

RELEASED FOR PUBLICATION

SEP. 2005.

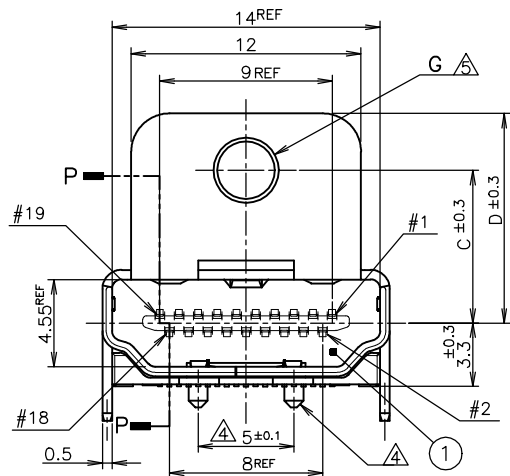
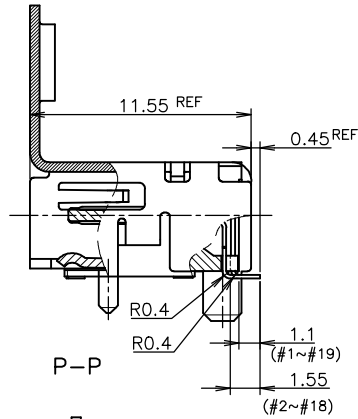
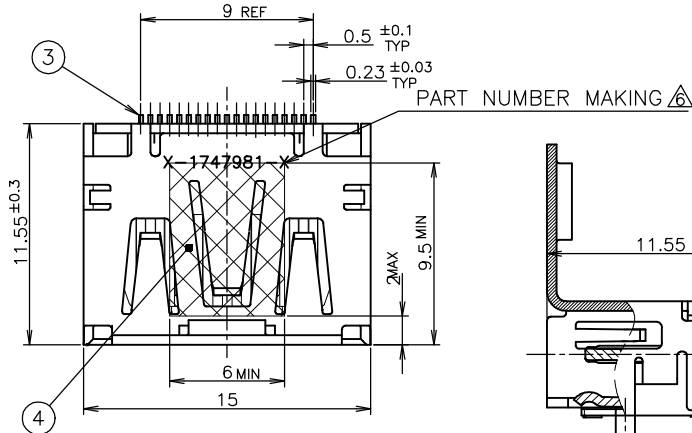
© COPYRIGHT 2005 By -

ALL RIGHTS RESERVED.

LOC J  
DIST

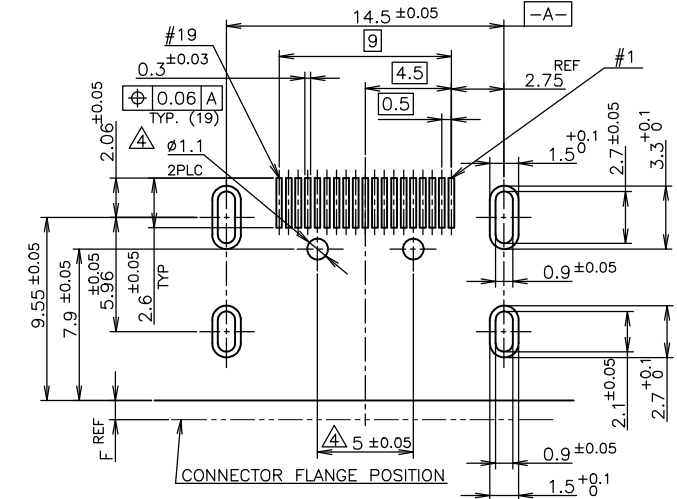
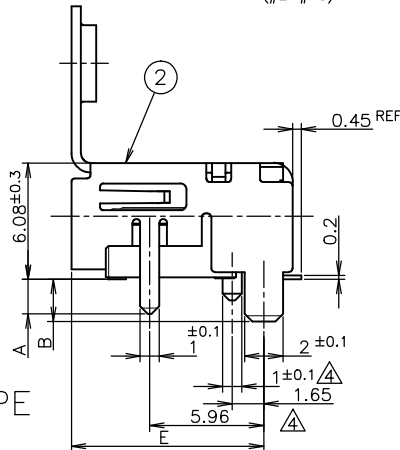
REVISIONS

P	LTR	DESCRIPTION	DATE	DWN	APVD
-	-	SEE SHEET 1	-	-	-

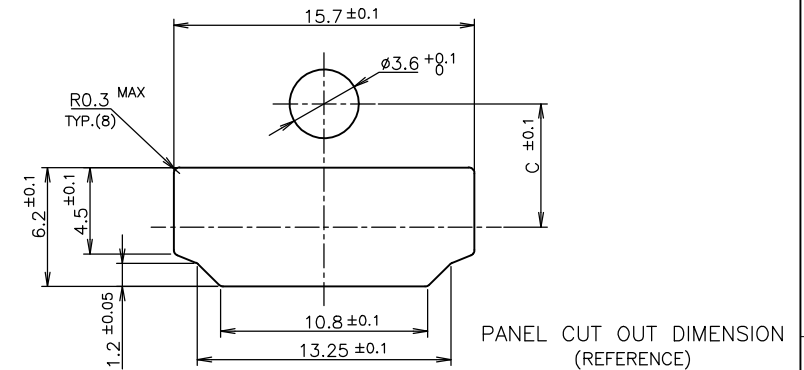


CONNECTOR WITH FLANGE TYPE

NOTICE: THIS COMMUNICATION INCLUDES TE CONNECTIVITY CONFIDENTIAL OR PROPRIETARY INFORMATION THAT MAY ALSO BE LEGALLY PRIVILEGED.



P.C.B LAYOUT SHOWN AS CONNECTOR MOUNTING SIDE TOLERANCE: NON-CUMULATIVE (REFERENCE)



PANEL CUT OUT DIMENSION (REFERENCE)

THIS DRAWING IS A CONTROLLED DOCUMENT.

DIMENSIONS: mm TOLERANCES UNLESS OTHERWISE SPECIFIED:

0 PLC	± 0.2
1 PLC	± 0.2
2 PLC	± 0.2
3 PLC	± 0.2
4 PLC	± 0.2
ANGLES	±

MATERIAL

FINISH

DWN  
CHK  
APVD  
PRODUCT SPEC  
108-78180-1  
APPLICATION SPEC  
WEIGHT  
CUSTOMER DRAWING



TE Connectivity

NAME  
HDMI 19 POS  
RECEPTACLE ASSY SMT TYPE  
-LEAD FREE-

SIZE A3 CAGE CODE 00779 DRAWING NO. C-1747981 RESTRICTED TO

SCALE NTS SHEET 7 OF 9 REV

THICKNESS	COLOR	MATERIAL	QTY	DISCRIPTION	ITEM
0.08	Brown	POLYIMIDE	1	POLYIMIDE TAPE	④
		COPPER ALLOY	19	CONTACT	③
		COPPER ALLOY	1	SHELL	②
		THERMOPLASTIC UL94V-0, BLACK COLOR	1	HOUSING	①
FINISH		MATERIAL	QTY	DISCRIPTION	ITEM

THIS DRAWING IS UNPUBLISHED.

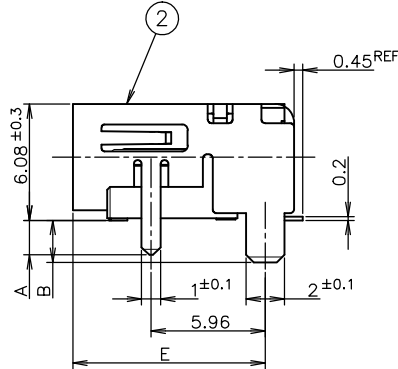
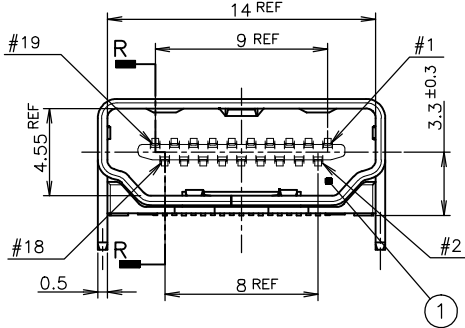
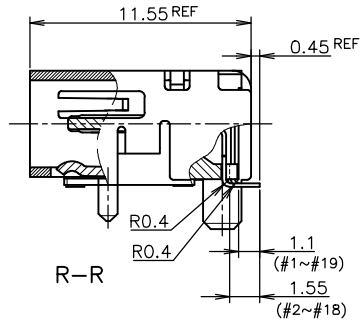
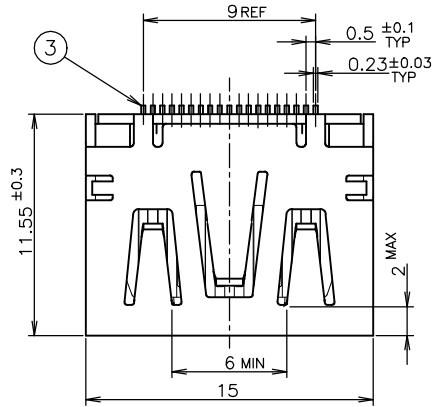
RELEASED FOR PUBLICATION

SEP. 2005.

© COPYRIGHT 2005 By -

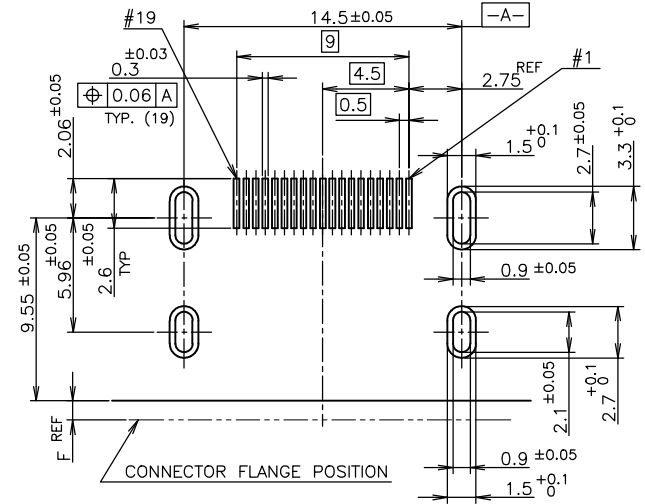
ALL RIGHTS RESERVED.

LOC	DIST	REVISIONS			
P	LTR	DESCRIPTION	DATE	DWN	APVD
J		SEE SHEET 1	-	-	-

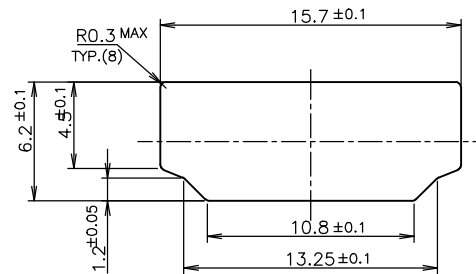


### CONNECTOR WITHOUT FLANGE TYPE

NOTICE: THIS COMMUNICATION INCLUDES TE CONNECTIVITY CONFIDENTIAL OR PROPRIETARY INFORMATION THAT MAY ALSO BE LEGALLY PRIVILEGED.



P.C.B LAYOUT SHOWN AS CONNECTOR MOUNTING SIDE TOLERANCE: NON-CUMULATIVE (REFERENCE)



### PANEL CUT OUT DIMENSION (REFERENCE)

THIS DRAWING IS A CONTROLLED DOCUMENT.				DWN	TE Connectivity			
DIMENSIONS: mm				CHK	NAME			
TOLERANCES UNLESS OTHERWISE SPECIFIED:				APVD	HDMI 19 POS RECEPTACLE ASSY SMT TYPE -LEAD FREE-			
0 PLC ± 0.2				PRODUCT SPEC	108-78180-1			
1 PLC ± 0.2				APPLICATION SPEC	A300779 C=1747981			
2 PLC ± 0.2				WEIGHT	SCALE 4:1 SHEET 8 OF 9 REV			
3 PLC ± 0.2				CUSTOMER DRAWING	RESTRICTED TO			
4 PLC ± 0.2								
ANGLES ±								
FINISH								
MATERIAL								

FINISH	MATERIAL	QTY	DISCRIPTION	ITEM
	COPPER ALLOY	19	CONTACT	③
	COPPER ALLOY	1	SHELL	②
	THERMOPLASTIC UL94V-0, BLACK COLOR	1	HOUSING	①