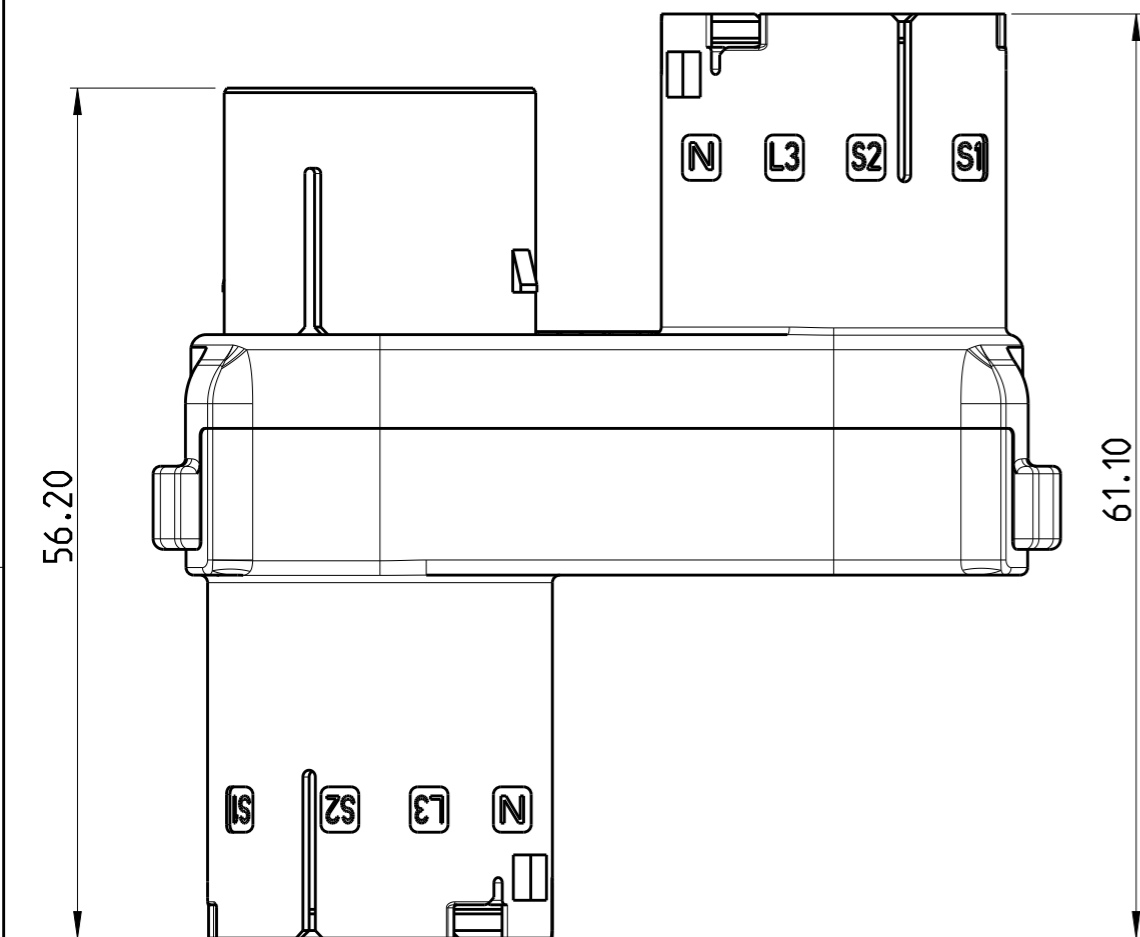
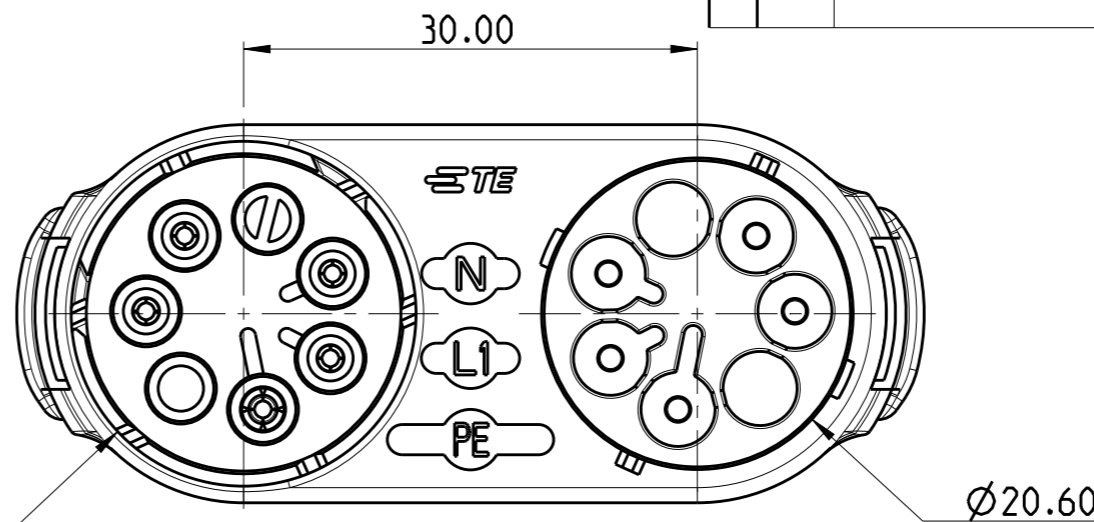
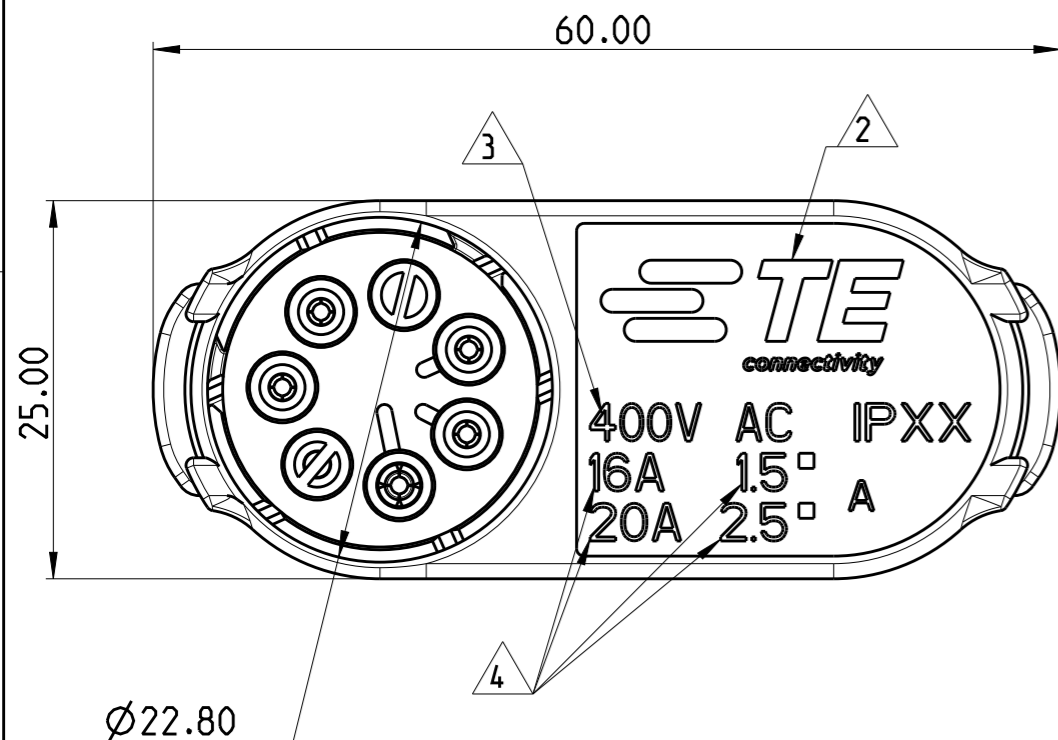


THIS DRAWING IS UNPUBLISHED. RELEASED FOR PUBLICATION 2013
 © COPYRIGHT 2013 BY - ALL RIGHTS RESERVED.

LOC	DIST	REVISIONS					
		P	LTR	DESCRIPTION	DATE	DWN	APVD
-	-		1	FIRST ISSUE	08MAY2013	KR	JC
			A	PARTS RELEASED FOR PRODUCTION	19NOV2013	KR	JC
			B	ECR-18-006945	06AUG2018	SR	MZ



NOTES:

- 1) FOR ALL POLARISATION KEYS SEE TABLE ON SHEET 2 OF 2.
- 2) TE LOGO
- 3) RATED VOLTAGE
- 4) RATED CURRENT AND CABLE SIZE
- 5) PARTS UNDER APPROVAL ACCORDING TO IEC 61535. PARTS TO BE TESTED ACCORDING TO INTERNAL TE ENDURANCE TESTS PROCEDURE

OBSOLETE	BLACK	E-E	T-SPLITTER 5 POS CONN. NECTOR* M-LINE 5 POS	1-1879995-5	A
	BLACK	D-D	T-SPLITTER 5 POS CONN. NECTOR* M-LINE 5 POS	1-1879995-4	A
	BLACK	C-C	T-SPLITTER 5 POS CONN. NECTOR* M-LINE 5 POS	1-1879995-3	A
	BLACK	B-B	T-SPLITTER 5 POS CONN. NECTOR* M-LINE 5 POS	1-1879995-2	A
OBSOLETE	BLACK	A-A	T-SPLITTER 5 POS CONN. NECTOR* M-LINE 5 POS	1-1879995-1	A
	NATURAL	E-E	T-SPLITTER 5 POS CONN. NECTOR* M-LINE 5 POS	1879995-5	A
	NATURAL	D-D	T-SPLITTER 5 POS CONN. NECTOR* M-LINE 5 POS	1879995-4	A
	NATURAL	C-C	T-SPLITTER 5 POS CONN. NECTOR* M-LINE 5 POS	1879995-3	A
	NATURAL	B-B	T-SPLITTER 5 POS CONN. NECTOR* M-LINE 5 POS	1879995-2	A
NATURAL	A-A	T-SPLITTER 5 POS CONN. NECTOR* M-LINE 5 POS	1879995-1	A	
COLOUR	POL. KEYING	DESCRIPTION	DRAWING REFERENCE	REV.	

THIS DRAWING IS A CONTROLLED DOCUMENT.

DIMENSIONS:	TOLERANCES UNLESS OTHERWISE SPECIFIED:
mm	
	0 PLC ±.4
	1 PLC ±.3
	2 PLC ±0.2
	3 PLC ±.3
	4 PLC ±.3
	ANGLES ±.3°
MATERIAL	FINISH

DWN	08MAY2013
K. RAGHAVENDRA	
CHK	08MAY2013
M. ZUCCA	
APVD	08MAY2013
J. CATCHPOLE	
PRODUCT SPEC	
APPLICATION SPEC	
WEIGHT	

TE TE Connectivity

NAME
T-SPLITTER CONNECTOR NECTOR* M-LINE 5 POS

SIZE	CAGE CODE	DRAWING NO	RESTRICTED TO
A3	00779	C-1879995	-

Customer Drawing SCALE 1:1 SHEET 1 OF 2 REV B

THIS DRAWING IS UNPUBLISHED.

RELEASED FOR PUBLICATION

2013

© COPYRIGHT 2013 BY -

ALL RIGHTS RESERVED.

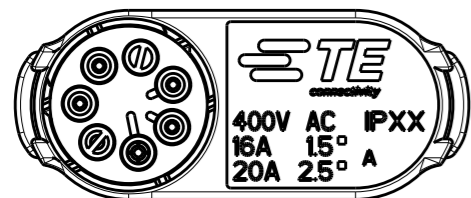
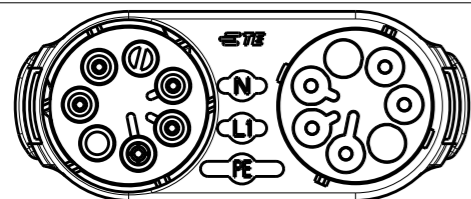
LOC	DIST
-	-

REVISIONS

P	LTR	DESCRIPTION	DATE	DWN	APVD
-	-	SEE SHEET 1	-	-	-

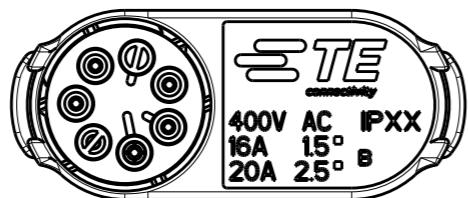
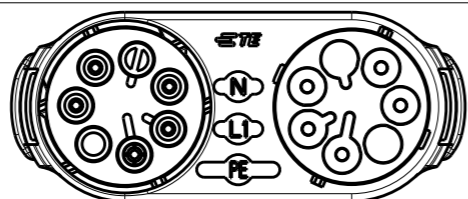
POLARISATION KEYS

TYPE "A-A"



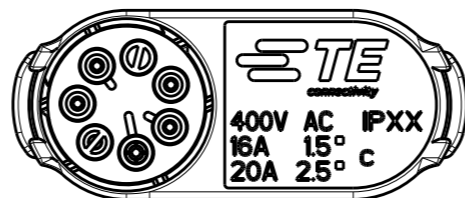
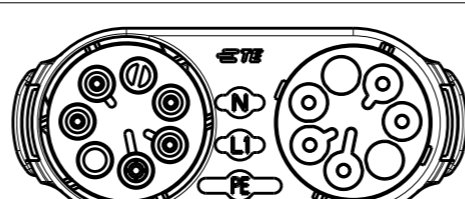
P/N 1879995-1 AND P/N 1-1879995-1

TYPE "B-B"



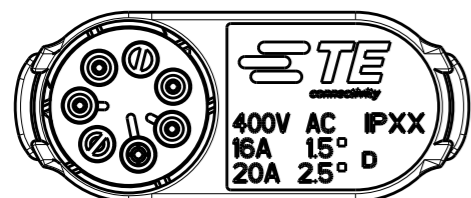
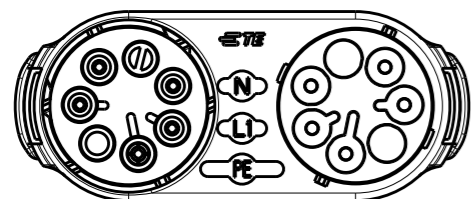
P/N 1879995-2 AND P/N 1-1879995-2

TYPE "C-C"



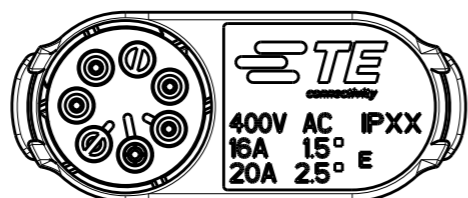
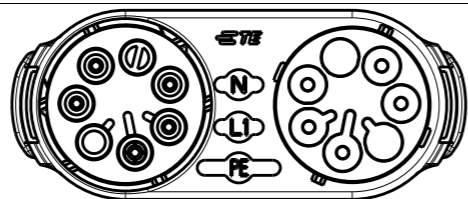
P/N 1879995-3 AND P/N 1-1879995-3

TYPE "D-D"



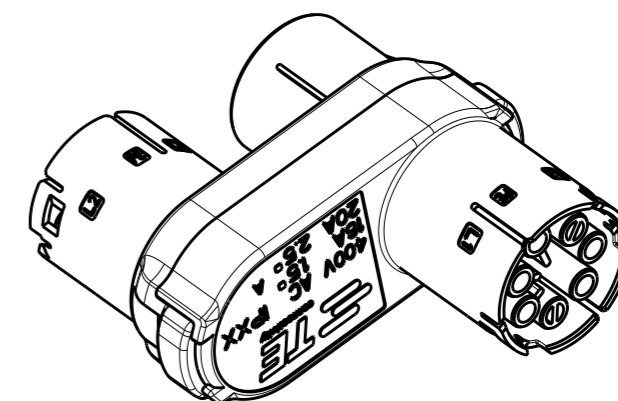
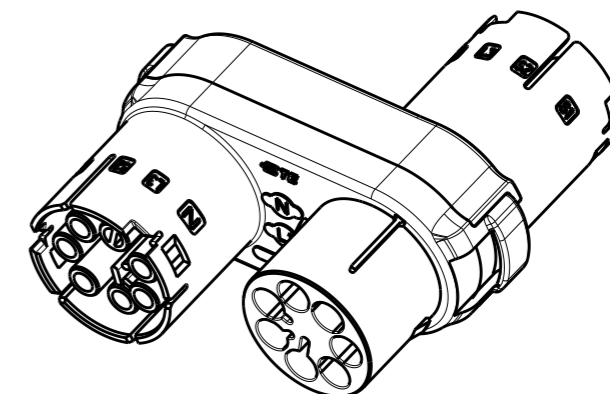
~~P/N 1879995-4 AND P/N 1-1879995-4~~

TYPE "E-E"



~~P/N 1879995-5 AND P/N 1-1879995-5~~

3D VIEWS.
FOR REFERENCE ONLY



THIS DRAWING IS A CONTROLLED DOCUMENT.

DIMENSIONS:	TOLERANCES UNLESS OTHERWISE SPECIFIED:
mm	
	0 PLC ±.4
	1 PLC ±.4
	2 PLC ±0.3
	3 PLC ±0.2
	4 PLC ±.4
	ANGLES ±.3°
MATERIAL -	FINISH -

DWN	08MAY2013
K. RAGHAVENDRA	
CHK	08MAY2013
M. ZUCCA	
APVD	08MAY2013
J. CATCHPOLE	
PRODUCT SPEC	-
APPLICATION SPEC	-
WEIGHT	-



NAME
T-SPLITTER CONNECTOR
NECTOR* M-LINE 5 POS

SIZE	CAGE CODE	DRAWING NO	RESTRICTED TO
A3	00779	C-1879995	-

Customer Drawing SCALE 1:1 SHEET 2 OF 2 REV B