

THIS DRAWING IS UNPUBLISHED.

RELEASED FOR PUBLICATION

2013

© COPYRIGHT 2013 BY -

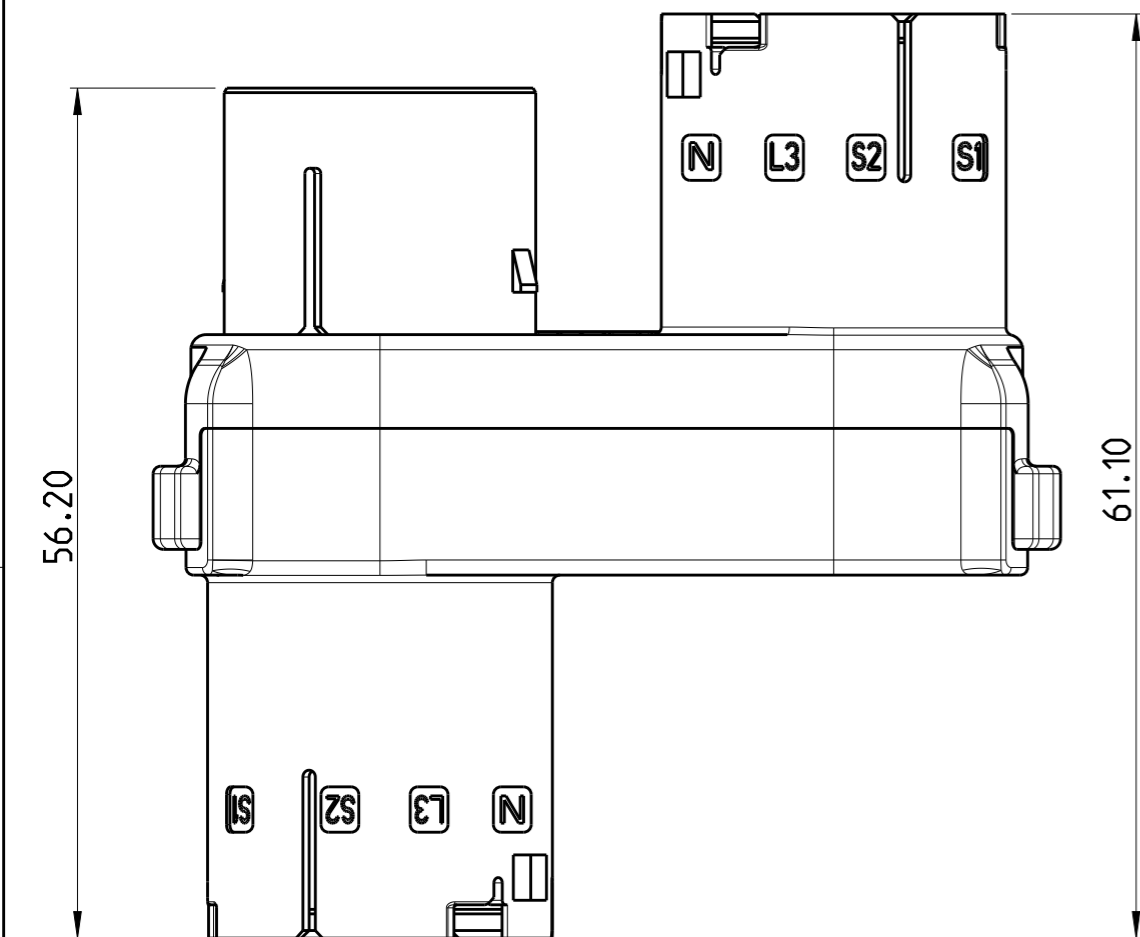
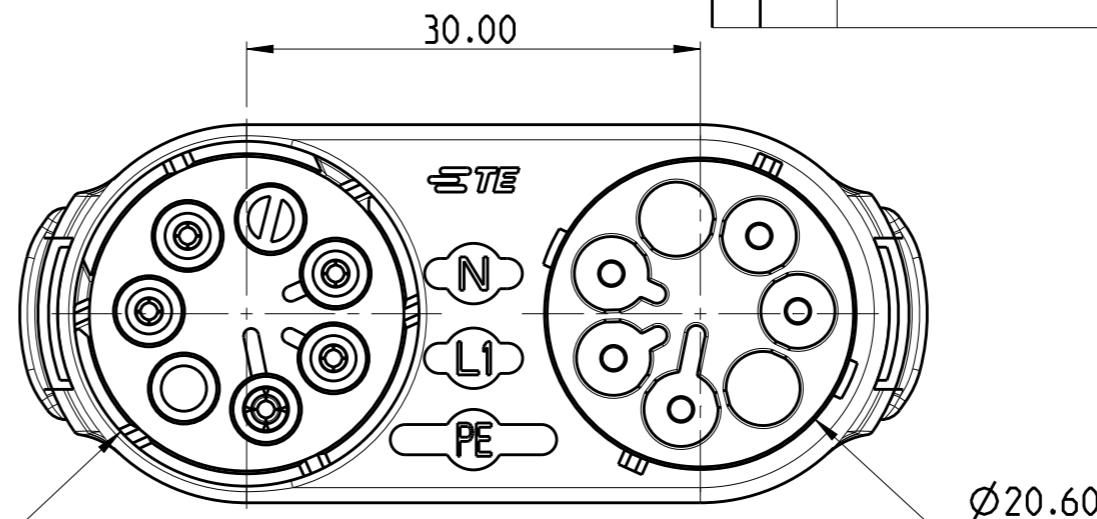
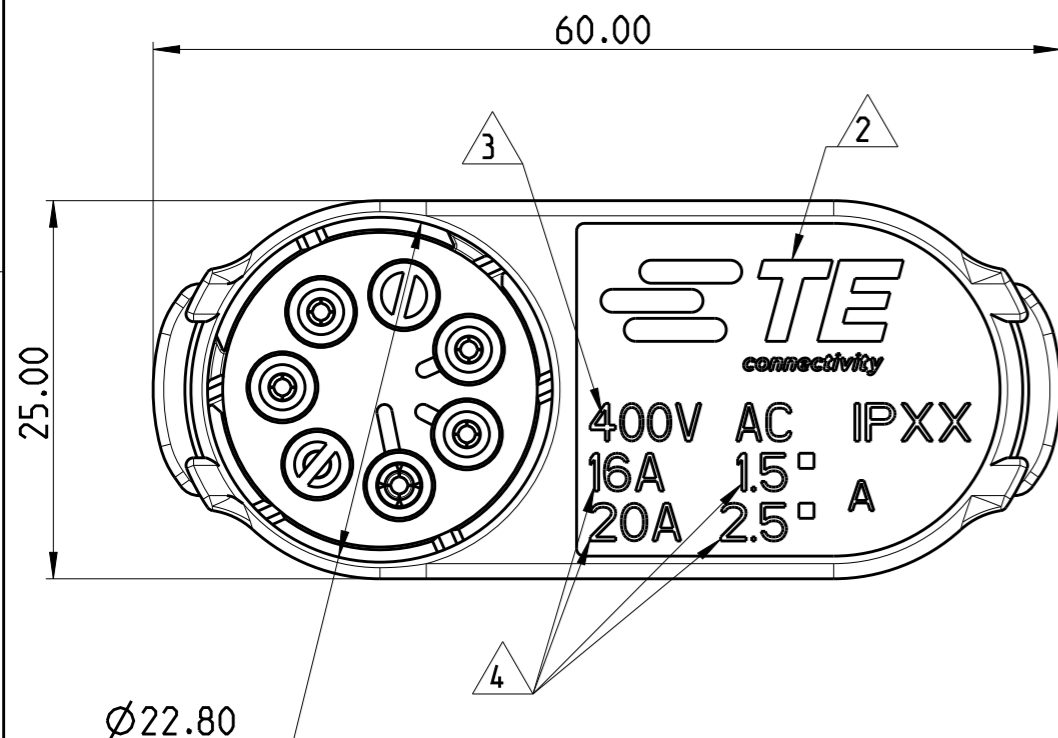
ALL RIGHTS RESERVED.

LOC -

DIST -

REVISIONS

| P | LTR | DESCRIPTION                   | DATE      | DWN | APVD |
|---|-----|-------------------------------|-----------|-----|------|
| 1 |     | FIRST ISSUE                   | 08MAY2013 | KR  | JC   |
| A |     | PARTS RELEASED FOR PRODUCTION | 19NOV2013 | KR  | JC   |
| B |     | ECR-18-006945                 | 06AUG2018 | SR  | MZ   |



NOTES:

1) FOR ALL POLARISATION KEYS SEE TABLE ON SHEET 2 OF 2.

2) TE LOGO

3) RATED VOLTAGE

4) RATED CURRENT AND CABLE SIZE

5) PARTS UNDER APPROVAL ACCORDING TO IEC 61535. PARTS TO BE TESTED ACCORDING TO INTERNAL TE ENDURANCE TESTS PROCEDURE

|          |             |   |   |             |   |
|----------|-------------|---|---|-------------|---|
| OBSOLETE | BLACK       | E-E   | T-SPLITTER 5 POS CONN. NECTOR* M-LINE 5 POS | 1-1879995-5 | A |
|          | BLACK       | D-D   | T-SPLITTER 5 POS CONN. NECTOR* M-LINE 5 POS | 1-1879995-4 | A |
|          | BLACK       | C-C   | T-SPLITTER 5 POS CONN. NECTOR* M-LINE 5 POS | 1-1879995-3 | A |
|          | BLACK       | B-B   | T-SPLITTER 5 POS CONN. NECTOR* M-LINE 5 POS | 1-1879995-2 | A |
| OBSOLETE | BLACK       | A-A   | T-SPLITTER 5 POS CONN. NECTOR* M-LINE 5 POS | 1-1879995-1 | A |
|          | NATURAL     | E-E   | T-SPLITTER 5 POS CONN. NECTOR* M-LINE 5 POS | 1879995-5   | A |
|          | NATURAL     | D-D   | T-SPLITTER 5 POS CONN. NECTOR* M-LINE 5 POS | 1879995-4   | A |
|          | NATURAL     | C-C   | T-SPLITTER 5 POS CONN. NECTOR* M-LINE 5 POS | 1879995-3   | A |
|          | NATURAL     | B-B   | T-SPLITTER 5 POS CONN. NECTOR* M-LINE 5 POS | 1879995-2   | A |
| NATURAL  | A-A         | T-SPLITTER 5 POS CONN. NECTOR* M-LINE 5 POS | 1879995-1                                   | A           |   |
| COLOUR   | POL. KEYING | DESCRIPTION                                 | DRAWING REFERENCE                           | REV.        |   |

THIS DRAWING IS A CONTROLLED DOCUMENT.

DWN 08MAY2013 K. RAGHAVENDRA

CHK 08MAY2013 M. ZUCCA

APVD 08MAY2013 J. CATCHPOLE

PRODUCT SPEC

APPLICATION SPEC

WEIGHT

Customer Drawing

TE Connectivity

T-SPLITTER CONNECTOR NECTOR\* M-LINE 5 POS

SIZE CAGE CODE DRAWING NO RESTRICTED TO

A3 00779 C-1879995

SCALE 1:1 SHEET 1 OF 2 REV B

| DIMENSIONS: | TOLERANCES UNLESS OTHERWISE SPECIFIED: |
|-------------|--|
| mm          |  |
| 0 PLC       | ±0.3                                   |
| 1 PLC       | ±0.3                                   |
| 2 PLC       | ±0.2                                   |
| 3 PLC       | ±0.2                                   |
| 4 PLC       | ±0.2                                   |
| ANGLES      | ±3°                                    |
| MATERIAL    | FINISH                                 |

THIS DRAWING IS UNPUBLISHED.

RELEASED FOR PUBLICATION

2013

© COPYRIGHT 2013 BY -

ALL RIGHTS RESERVED.

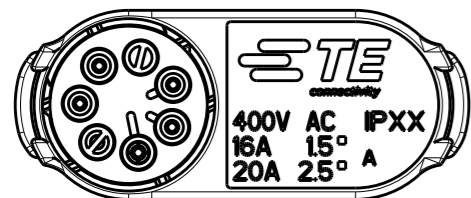
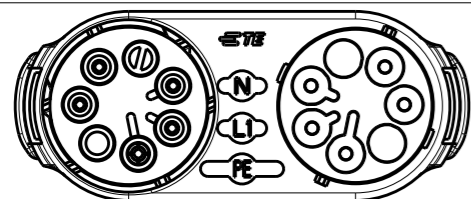
LOC - DIST -

REVISIONS

| P | LTR | DESCRIPTION | DATE | DWN | APVD |
|---|-----|-------------|------|-----|------|
| - | -   | SEE SHEET 1 | -    | -   | -    |

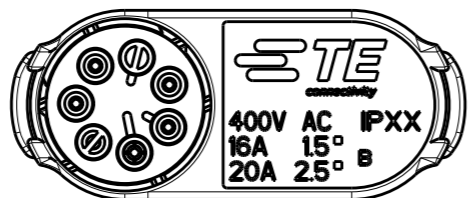
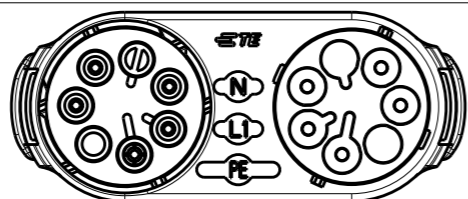
POLARISATION KEYS

TYPE "A-A"



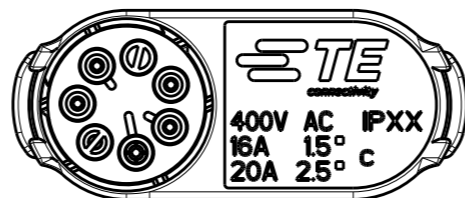
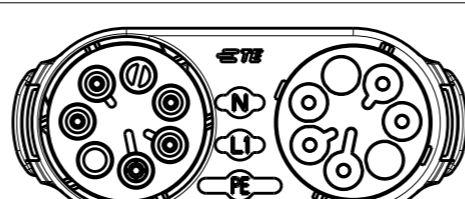
P/N 1879995-1 AND P/N 1-1879995-1

TYPE "B-B"



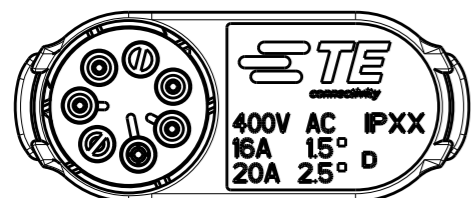
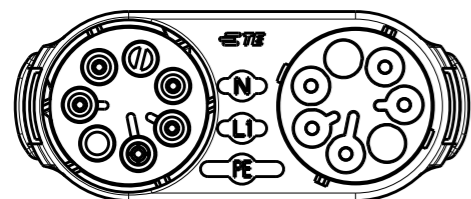
P/N 1879995-2 AND P/N 1-1879995-2

TYPE "C-C"



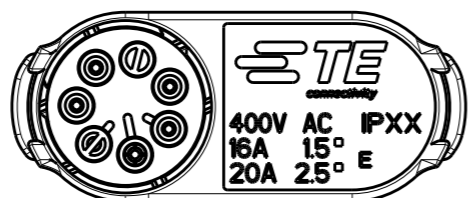
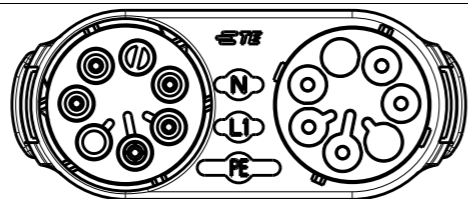
P/N 1879995-3 AND P/N 1-1879995-3

TYPE "D-D"



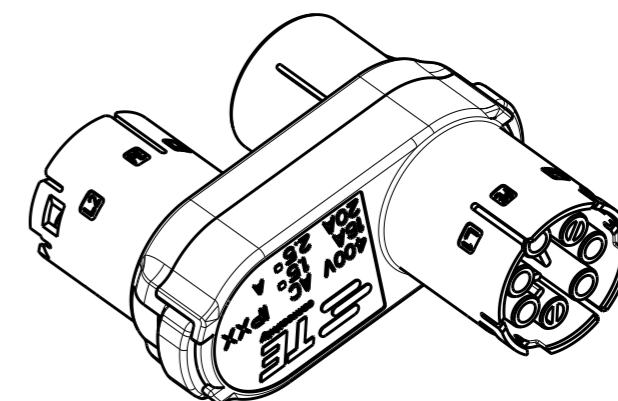
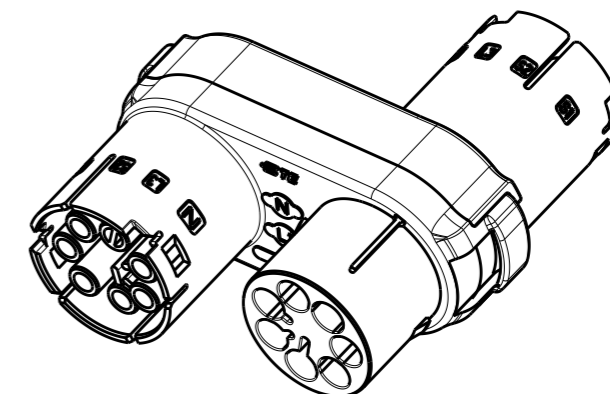
~~P/N 1879995-4 AND P/N 1-1879995-4~~

TYPE "E-E"



~~P/N 1879995-5 AND P/N 1-1879995-5~~

3D VIEWS.  
FOR REFERENCE ONLY



THIS DRAWING IS A CONTROLLED DOCUMENT.

| DIMENSIONS: | TOLERANCES UNLESS OTHERWISE SPECIFIED: |
|-------------|--|
| mm          |  |
|             | 0 PLC ±.4                              |
|             | 1 PLC ±.4                              |
|             | 2 PLC ±0.3                             |
|             | 3 PLC ±0.2                             |
|             | 4 PLC ±.4                              |
|             | ANGLES ±.3°                            |
| MATERIAL -  | FINISH -                               |

|                  |           |
|------------------|-----------|
| DWN              | 08MAY2013 |
| K. RAGHAVENDRA   |           |
| CHK              | 08MAY2013 |
| M. ZUCCA         |           |
| APVD             | 08MAY2013 |
| J. CATCHPOLE     |           |
| PRODUCT SPEC     | -         |
| APPLICATION SPEC | -         |
| WEIGHT           | -         |



NAME  
T-SPLITTER CONNECTOR  
NECTOR\* M-LINE 5 POS

| SIZE | CAGE CODE | DRAWING NO | RESTRICTED TO |
|------|-----------|------------|---------------|
| A3   | 00779     | C-1879995  | -             |

Customer Drawing SCALE 1:1 SHEET 2 OF 2 REV B