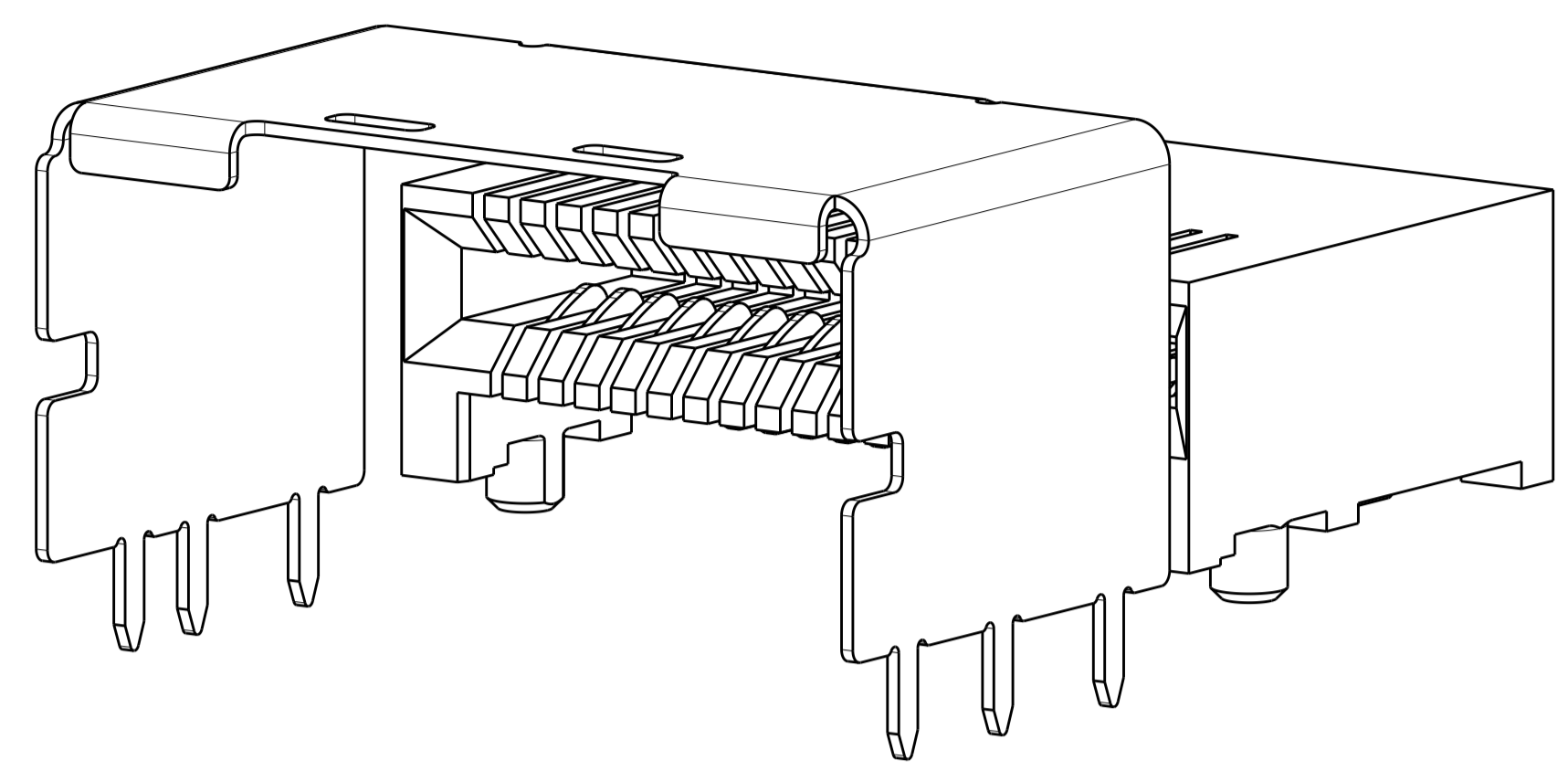
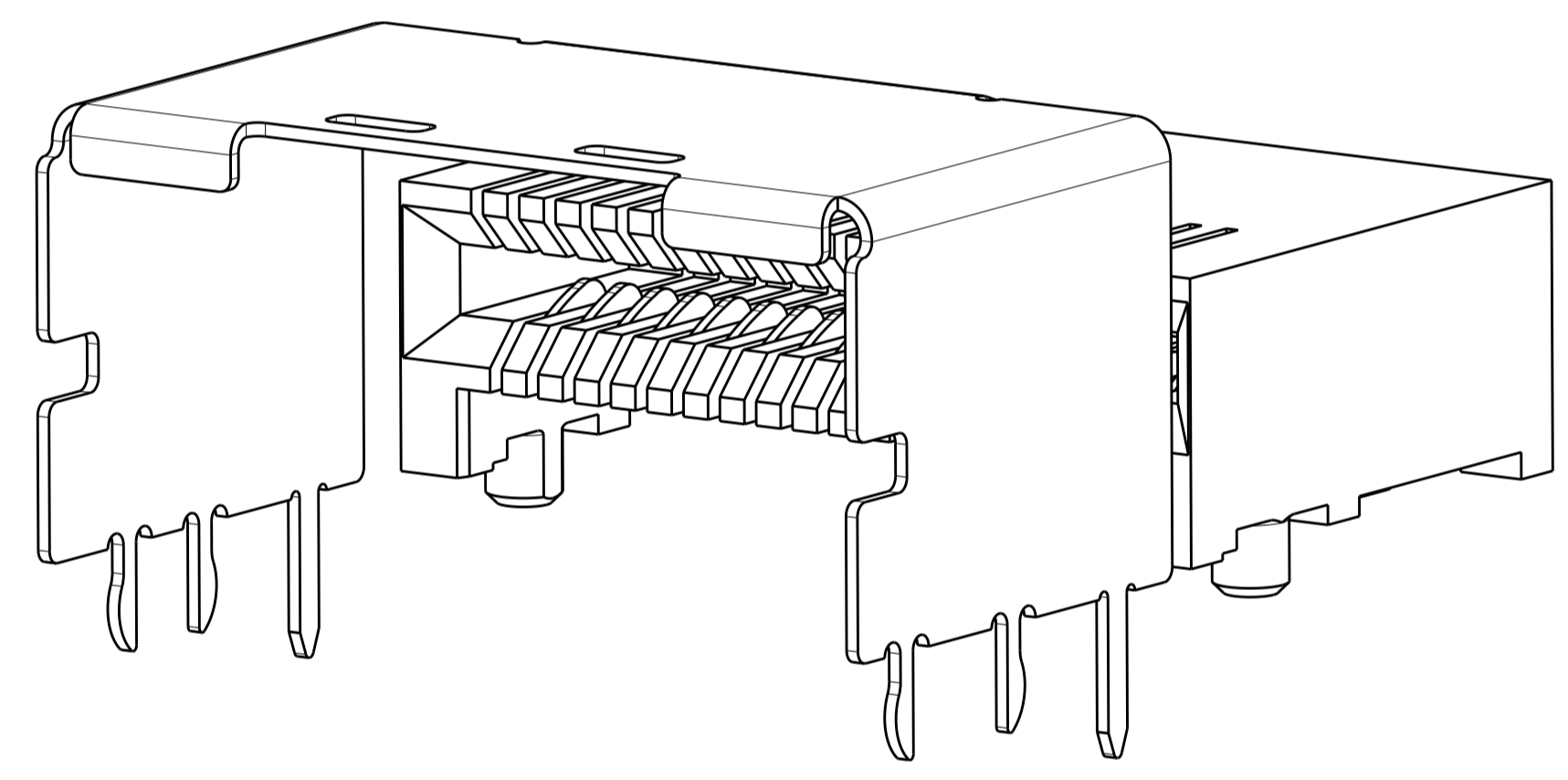


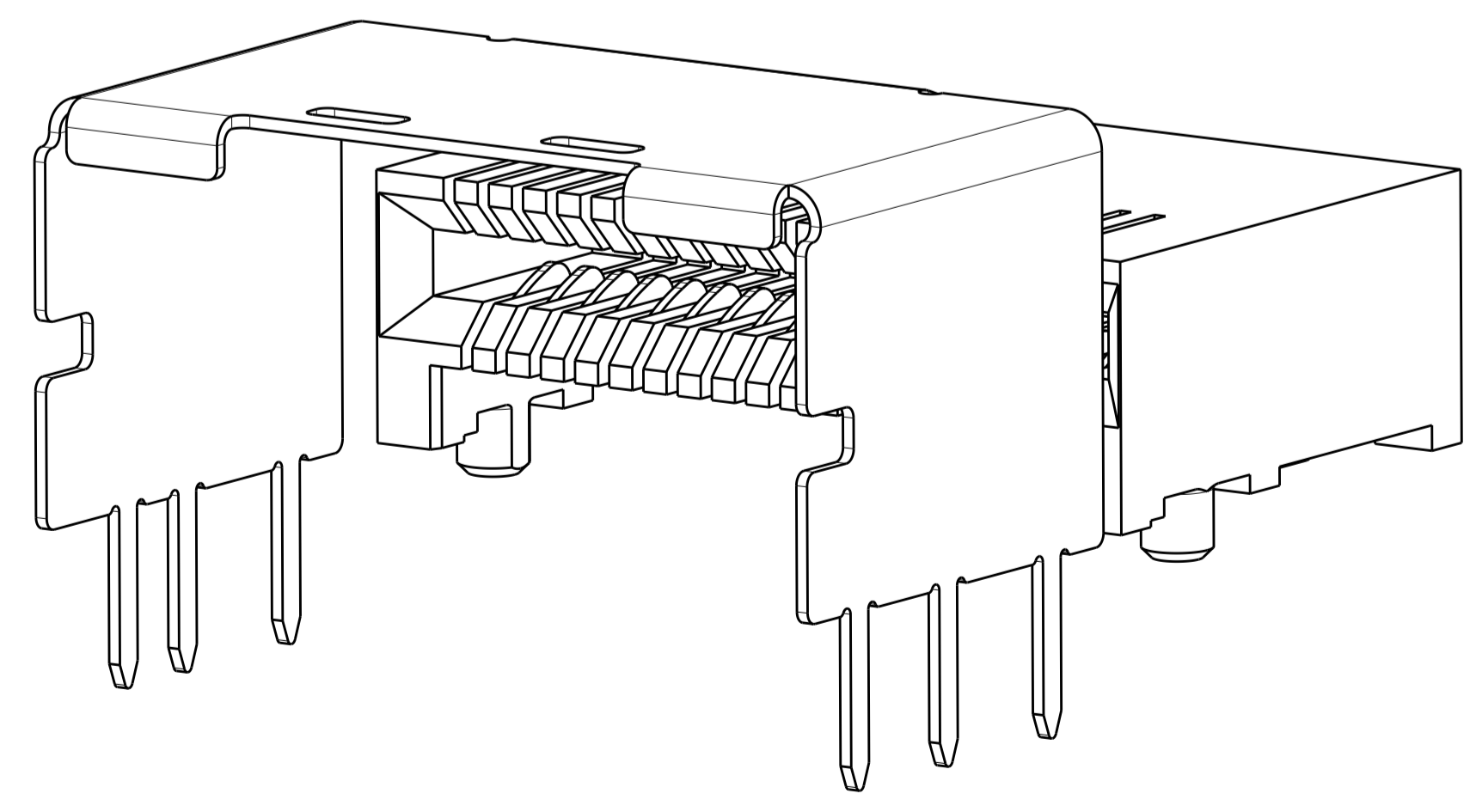
LOC		DIST		REVISONS			
P	LTN	DESCRIPTION	DATE	DWN	APVD		
B2		REVISED PER ECO-11-004835	11MAR2011	RK	HMR		
B3		REVISED PER ECO-19-002570	26DEC2018	JY	SH		
B4		REVISED PER ECO-20-004397	26MAR2020	TX	DZ		



1888019-2  
 SHOWN WITHOUT PICK AND PLACE DEVICE  
 SCALE 8:1

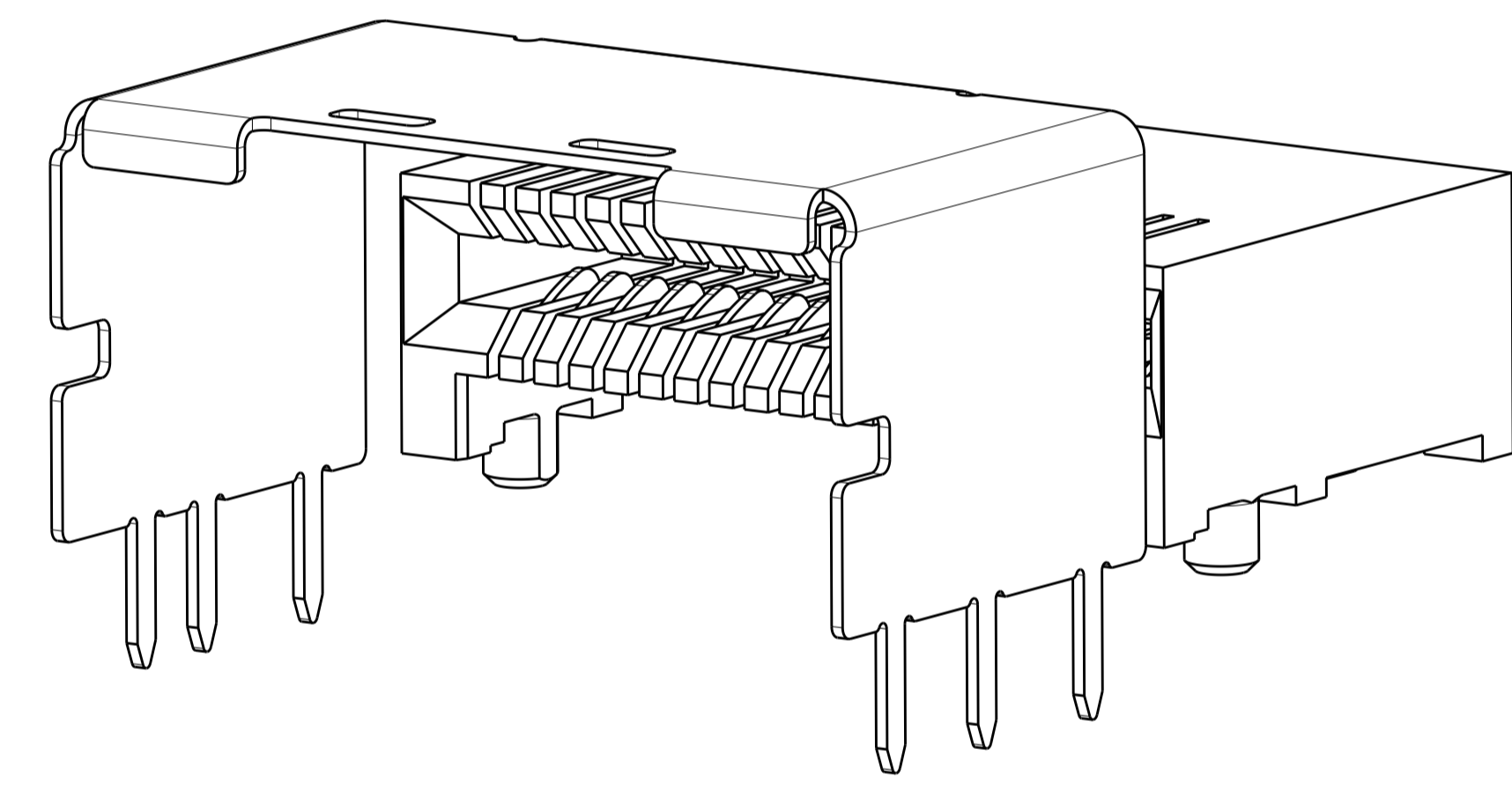


1888019-4  
 SHOWN WITHOUT PICK AND PLACE DEVICE  
 SCALE 8:1



1888019-8  
 SHOWN WITHOUT PICK AND PLACE DEVICE  
 SCALE 8:1

- ① MATERIAL: LCP, BLACK, UL94 V0.
- ② MATERIAL: PHOSPHOR BRONZE PER ASTM B 103.
- ③ FINISH: 0.76µm MIN GOLD PLATE PER ASTM B 488, APPLIES TO INTERFACE AREA AND 2.03µm MIN TIN PLATE SOLDER TAILS, ALL OVER 3.81µm MIN NICKEL PLATE PER QQ-N-290.
- ④ MATERIAL: NICKEL-SILVER PER ASTM B 122.
- ⑤ DATUM AND BASIC DIMENSION ESTABLISHED BY CUSTOMER.
- 6. REFER TO CUSTOMER DRAWING 1761987 FOR CONNECTOR DETAILS.
- 7. PACKAGED IN TAPE AND REEL PER EIA-481.
- ⑧ FINISH: 0.38µm MIN GOLD PLATE PER ASTM B 488, APPLIES TO INTERFACE AREA AND 2.03µm MIN TIN PLATE SOLDER TAILS, ALL OVER 3.81µm MIN NICKEL PLATE PER QQ-N-290.
- ⑨ CUSTOMIZED PACKAGE SPEC FOR 1-1888019-3 AND 1-1888019-4



1888019-6, 1-1888019-3 AND 1-1888019-4  
 SHOWN WITHOUT PICK AND PLACE DEVICE  
 SCALE 8:1

⑧	THRU HOLE	3.5	17.8	16	16	36	18.05	36	1-1888019-2
	THRU HOLE	2.8	17.8	16	16	36	18.05	36	1-1888019-1
	PRESS FIT	-	17.8	16	16	36	18.05	36	1-1888019-0
③	THRU HOLE	2	17.8	16	16	36	18.05	36	1888019-9
	THRU HOLE	2.8	17.8	16	16	36	18.05	36	1-1888019-4 ⑨
	THRU HOLE	2.8	17.8	16	16	36	18.05	36	1-1888019-3 ⑨
	THRU HOLE	3.5	17.8	16	16	36	18.05	36	1888019-8
	THRU HOLE	2.8	17.8	16	16	36	18.05	36	1888019-6
	PRESS FIT	-	17.8	16	16	36	18.05	36	1888019-4
	THRU HOLE	2	17.8	16	16	36	18.05	36	1888019-2
FINISH	SHELL TYPE	G	E	D	C	B	A	POSN	PART NUMBER

THIS DRAWING IS A CONTROLLED DOCUMENT. DWN M.E. CONNER 18JUL2005  
 CHK R.R. HENRY 18JUL2005  
 APVD R.R. HENRY 18JUL2005

**STE** TE Connectivity

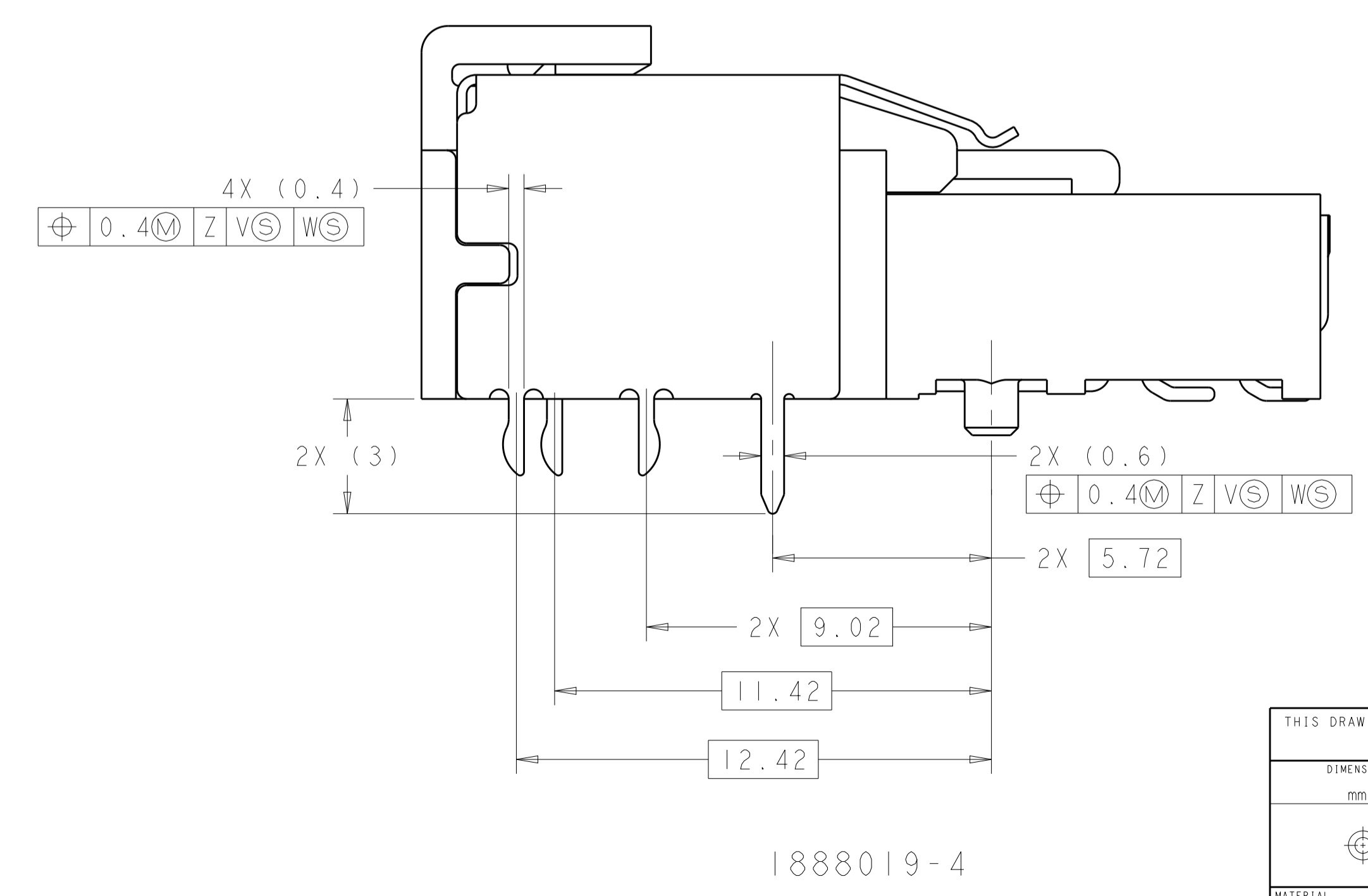
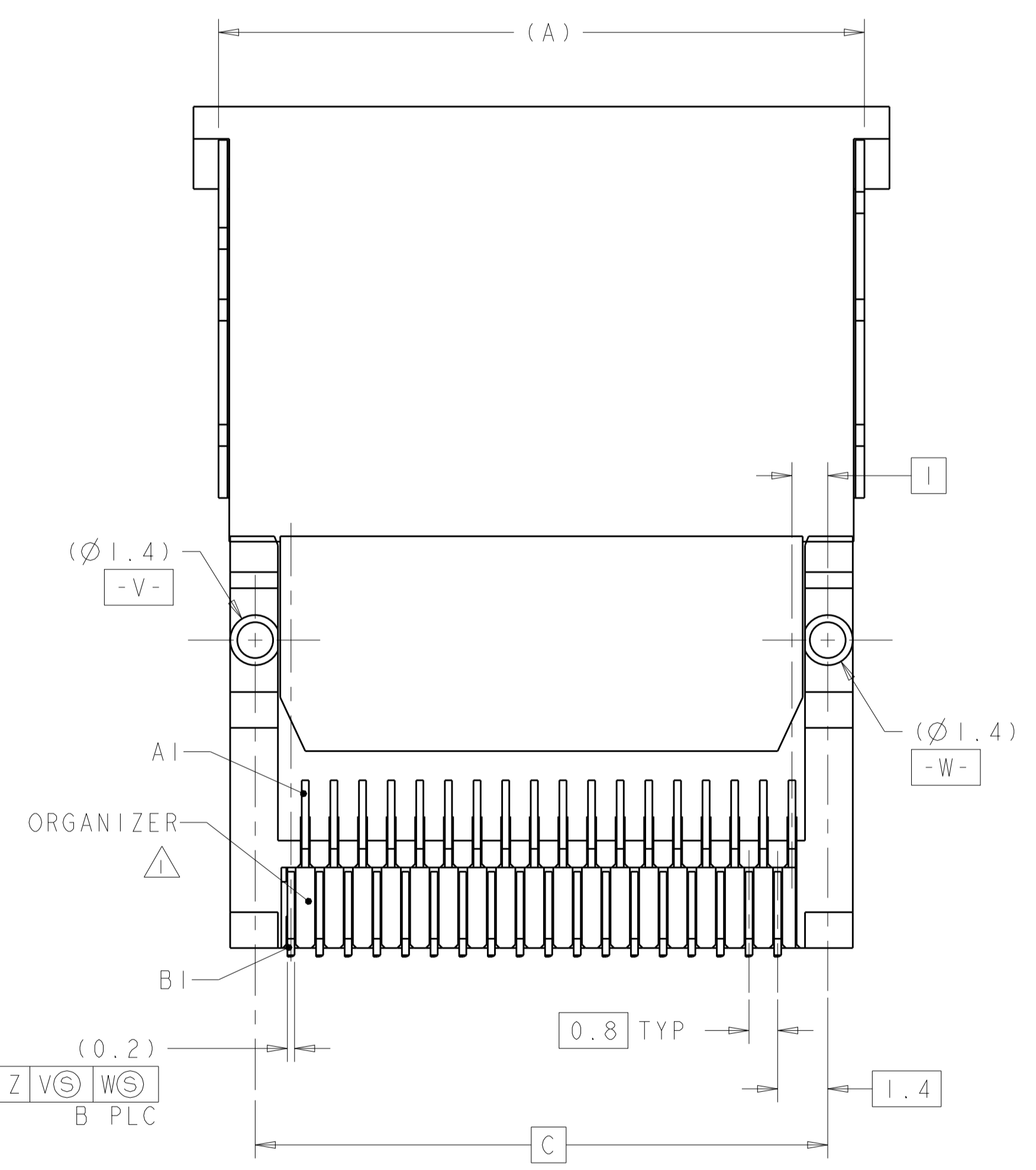
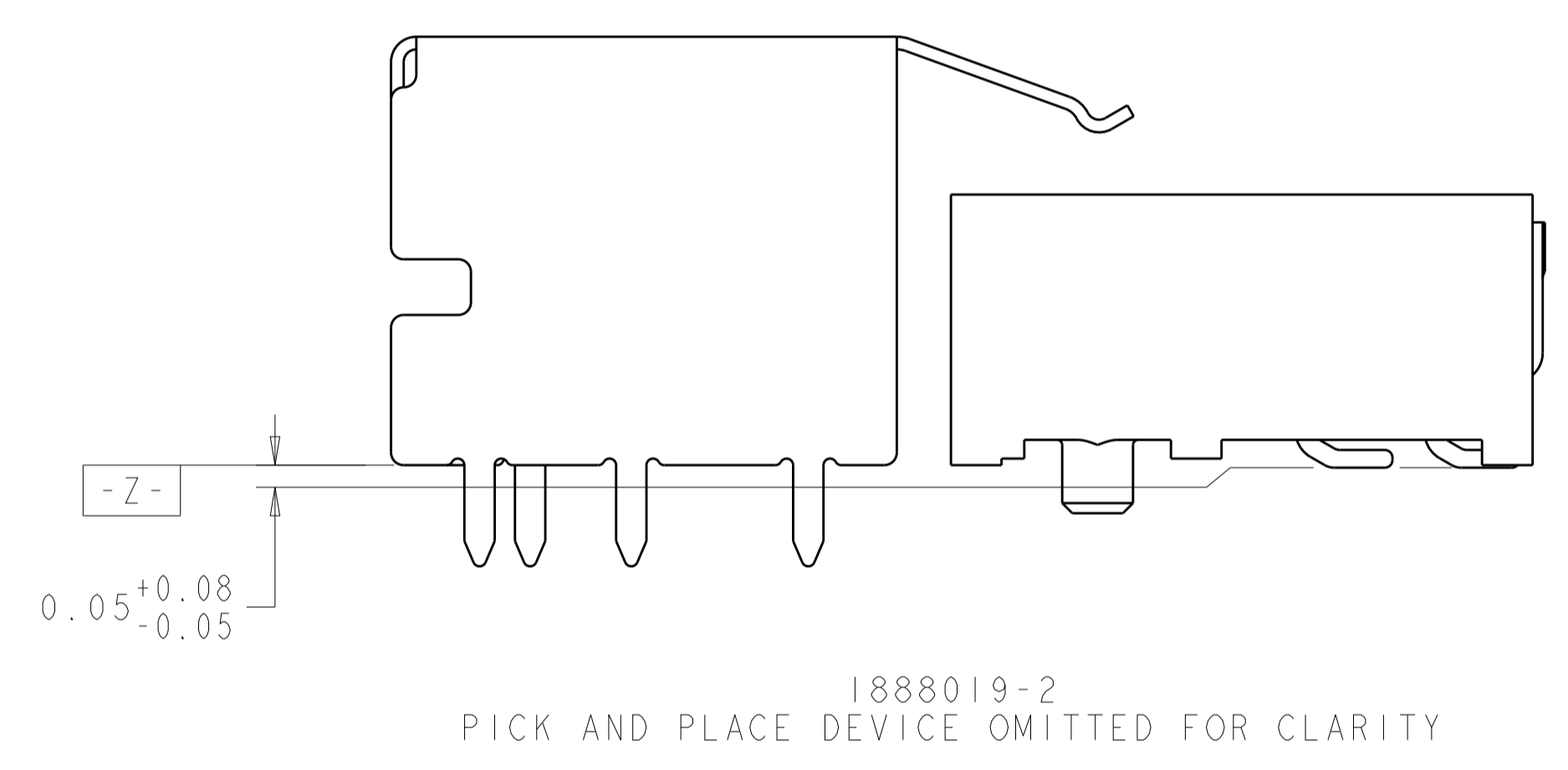
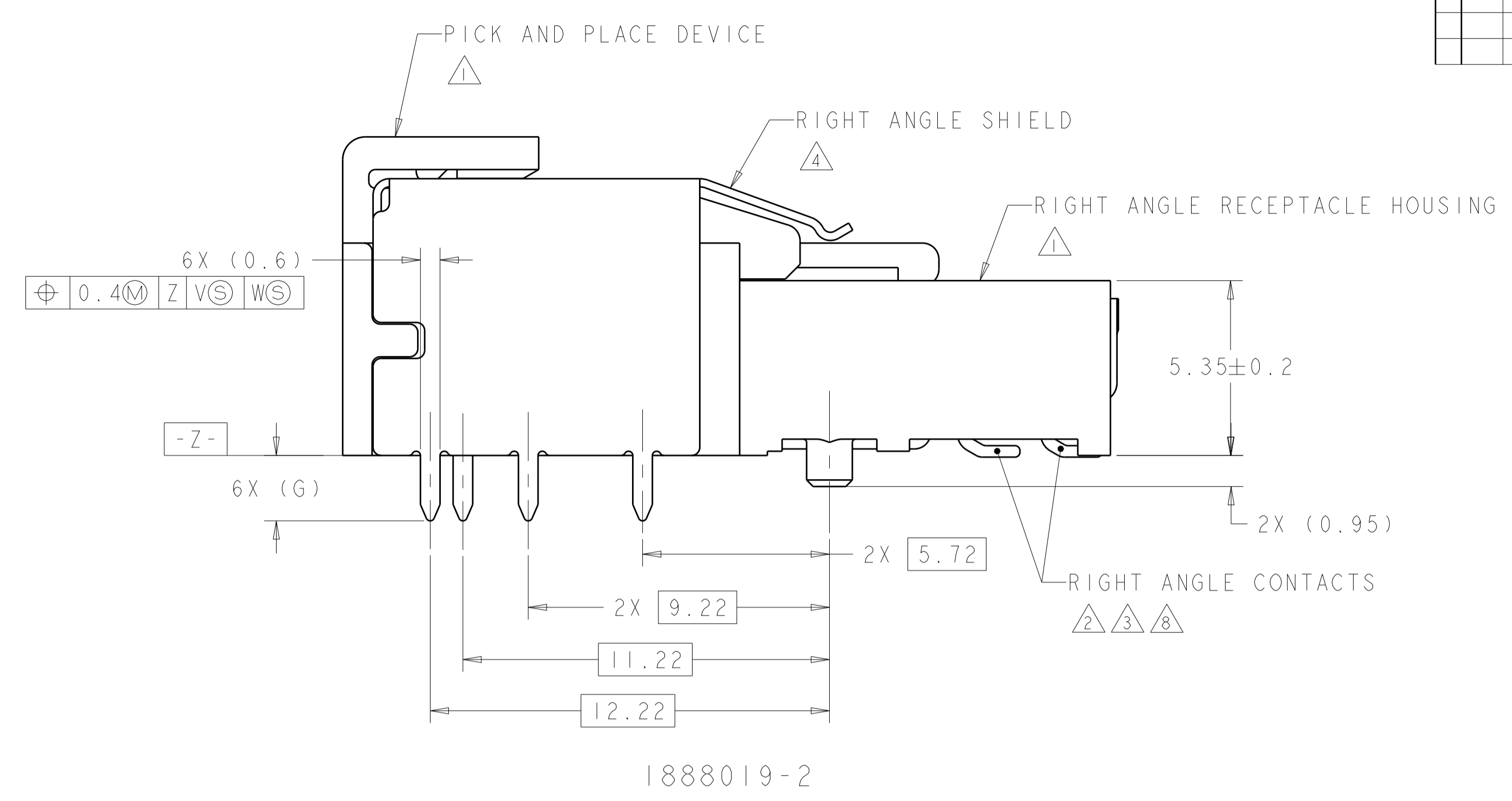
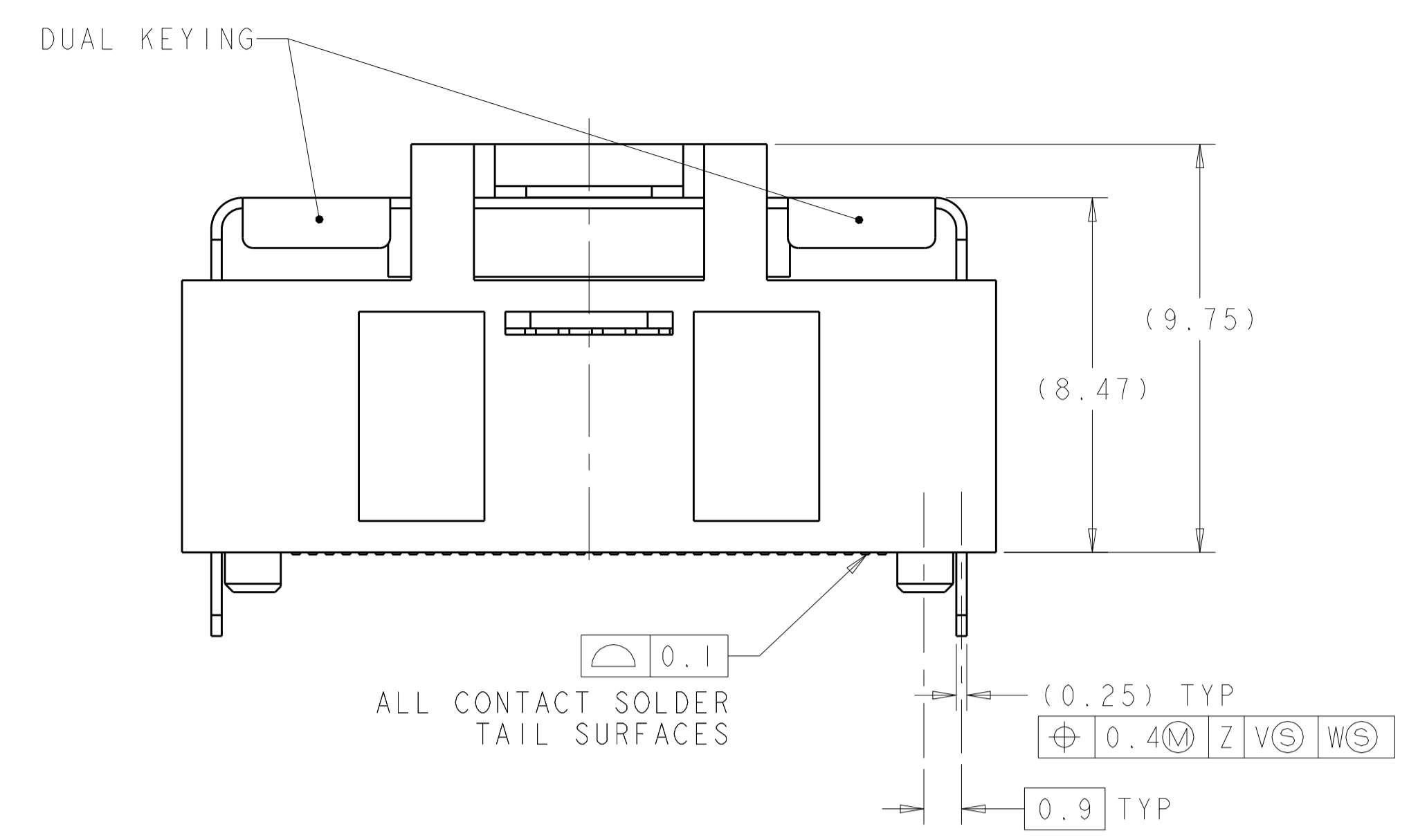
NAME: EVERCLEAR Mini-SAS RIGHT ANGLE INTERNAL RECEPTACLE ASSEMBLY WITH DUAL KEYED SHELL

PRODUCT SPEC: 108-2234  
 APPLICATION SPEC: -

SIZE: A1 CAGE CODE: 00779 DRAWING NO: 1888019  
 WEIGHT: -  
 MATERIAL: SEE NOTES FINISH: SEE TABLE

CUSTOMER DRAWING SCALE 8:1 SHEET 1 OF 4 REV B4

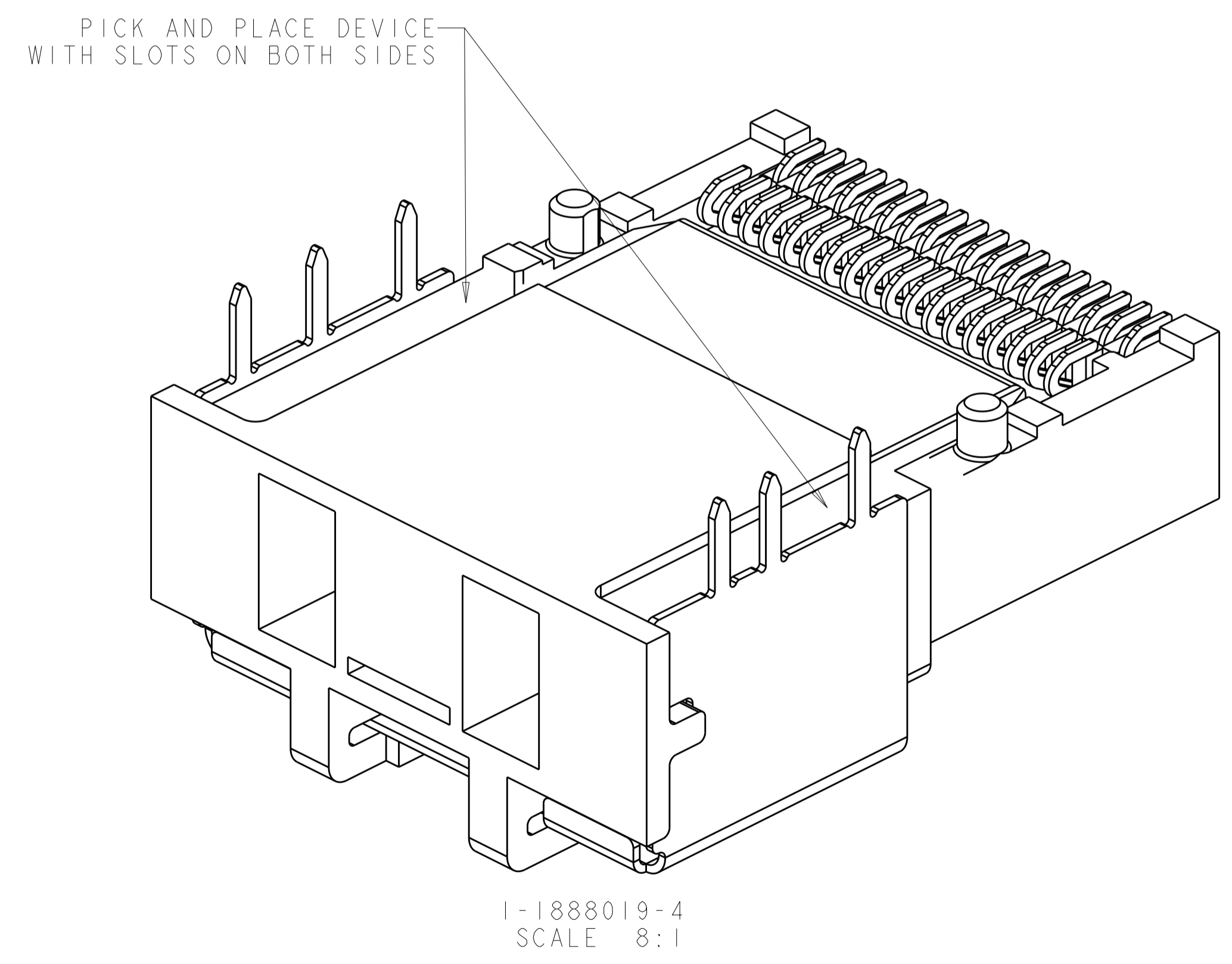
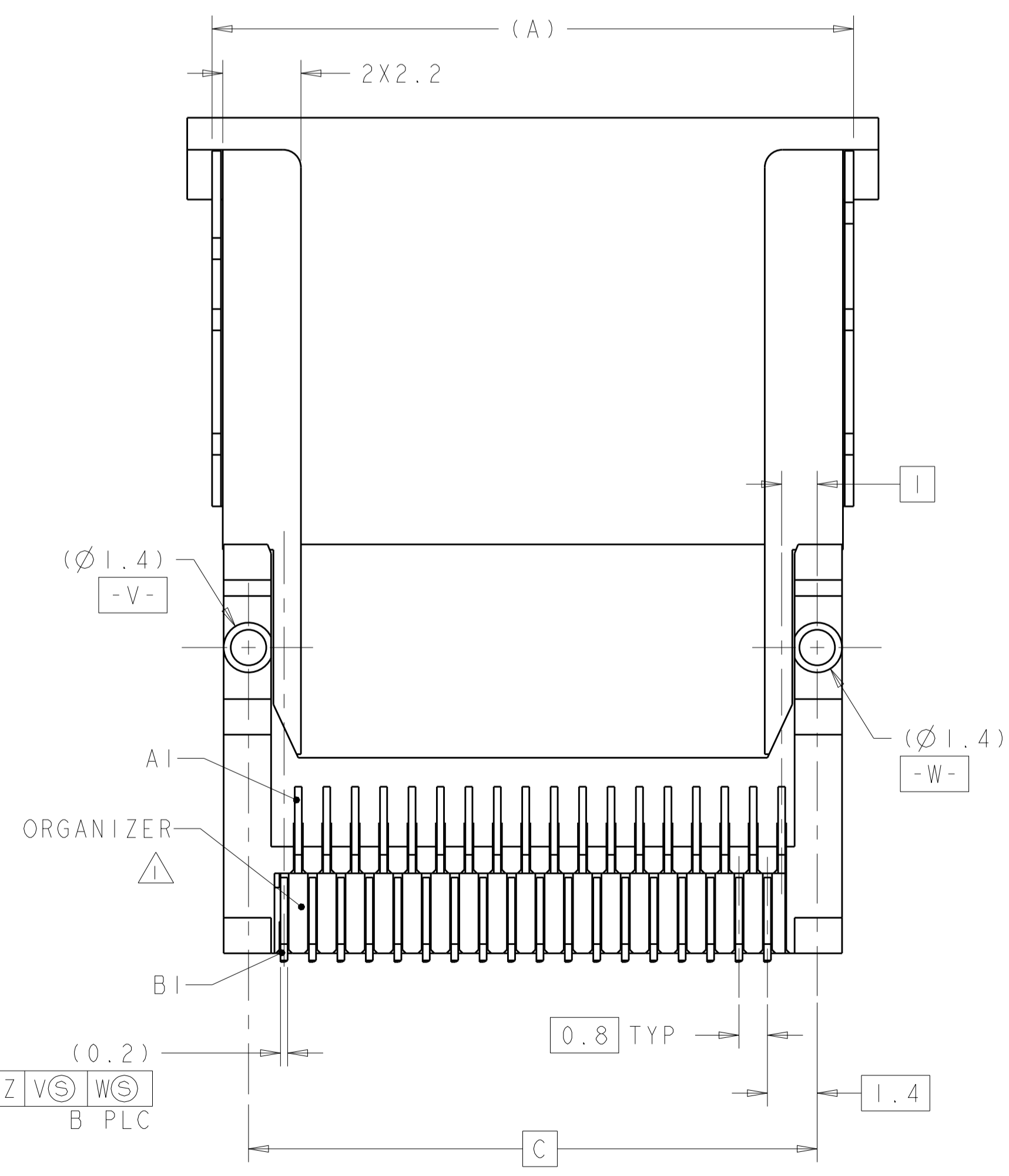
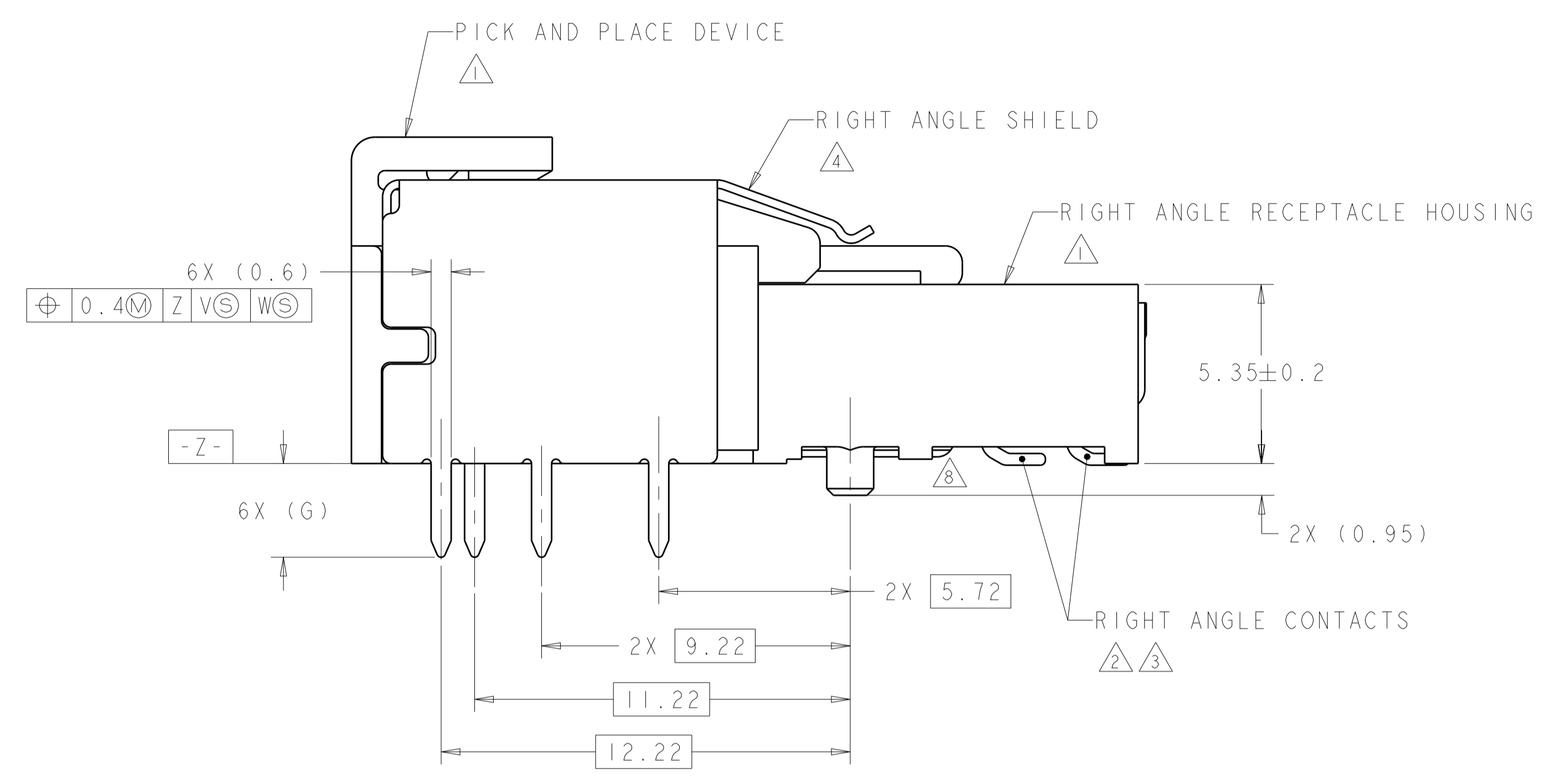
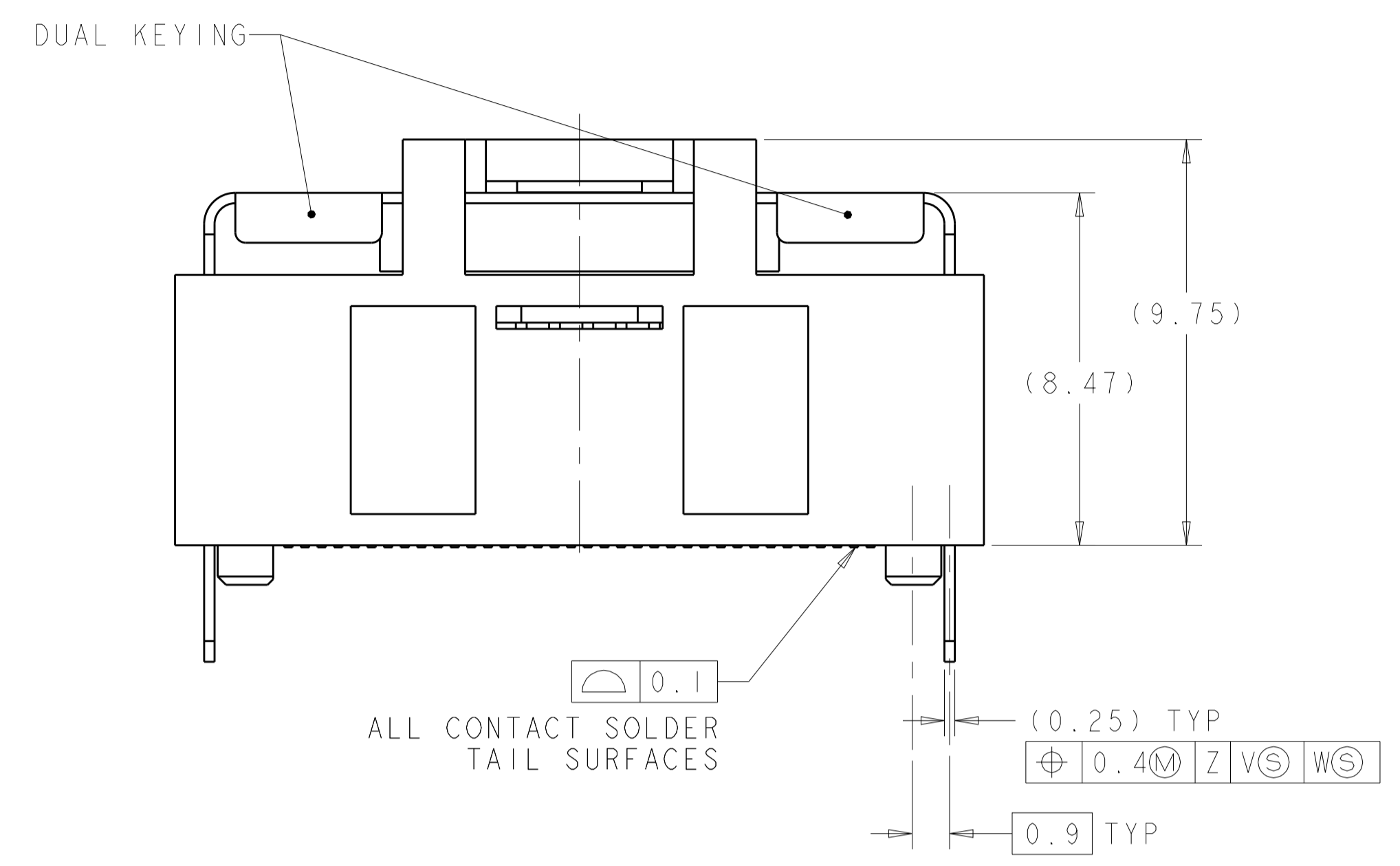
LOC	DIST	REVISIONS			
GP	00	REV	DATE	BY	APPD
-	-	SEE SHEET 1	-	-	-



THIS DRAWING IS A CONTROLLED DOCUMENT.		OWN: M.E. CONNER 18JUL2005	TE Connectivity EVERCLEAR Mini-SAS RIGHT ANGLE INTERNAL RECEPTACLE ASSEMBLY WITH DUAL KEYED SHELL
DIMENSIONS: mm		CHK: R.R. HENRY 18JUL2005	
TOLERANCES UNLESS OTHERWISE SPECIFIED:		APPD: R.R. HENRY 18JUL2005	
0 PLC ± 1 PLC ± 2 PLC ± 3 PLC ± 4 PLC ± ANGLES ±		NAME: PRODUCT SPEC	
MATERIAL: SEE NOTES		FINISH: SEE TABLE	RESTRICTED TO: CUSTOMER DRAWING
SCALE: 8:1		SHEET: 2 OF 4	REV: B4

LOC		DIST		REVISIONS			
GP	00	P	LTN	DESCRIPTION	DATE	DMN	APVD
		-		SEE SHEET 1			

1-1888019-4 AS SHOWN



THIS DRAWING IS A CONTROLLED DOCUMENT.		DMN: M.E. CONNER 18JUL2005	TE Connectivity
DIMENSIONS: mm		CHK: R.R. HENRY 18JUL2005	
TOLERANCES UNLESS OTHERWISE SPECIFIED:		APVD: R.R. HENRY 18JUL2005	
0 PLC ± 1 PLC ± 2 PLC ± 3 PLC ± 4 PLC ± ANGLES ±		NAME: EVERCLEAR Mini-SAS RIGHT ANGLE INTERNAL RECEPTACLE ASSEMBLY WITH DUAL KEYED SHELL PRODUCT SPEC: 108-2234 APPLICATION SPEC:	
MATERIAL: SEE NOTES	FINISH: SEE TABLE	WEIGHT: A100779C=1888019	RESTRICTED TO: CUSTOMER DRAWING
		SCALE: 8:1	SHEET 3 OF 4 REV B4