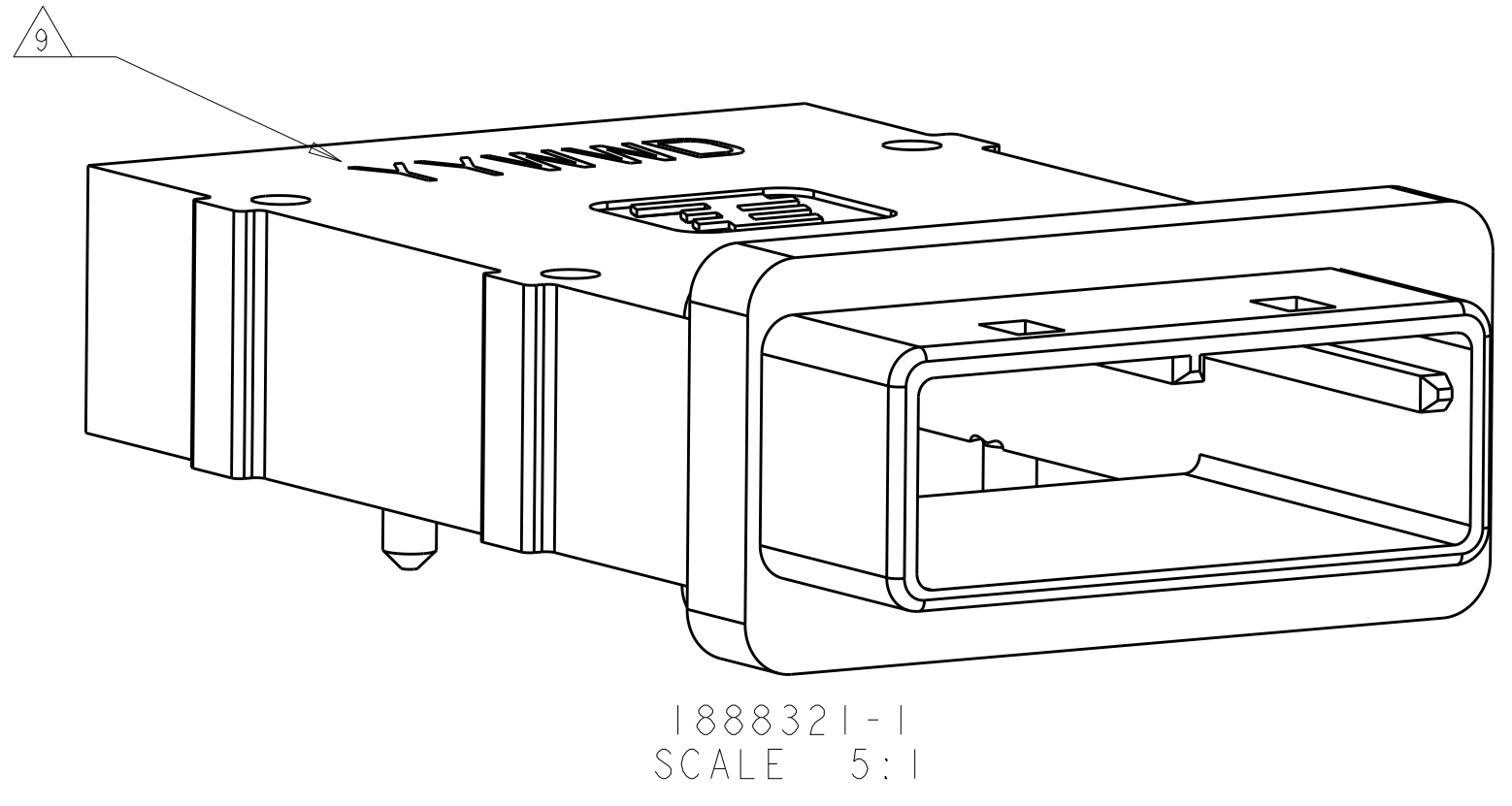
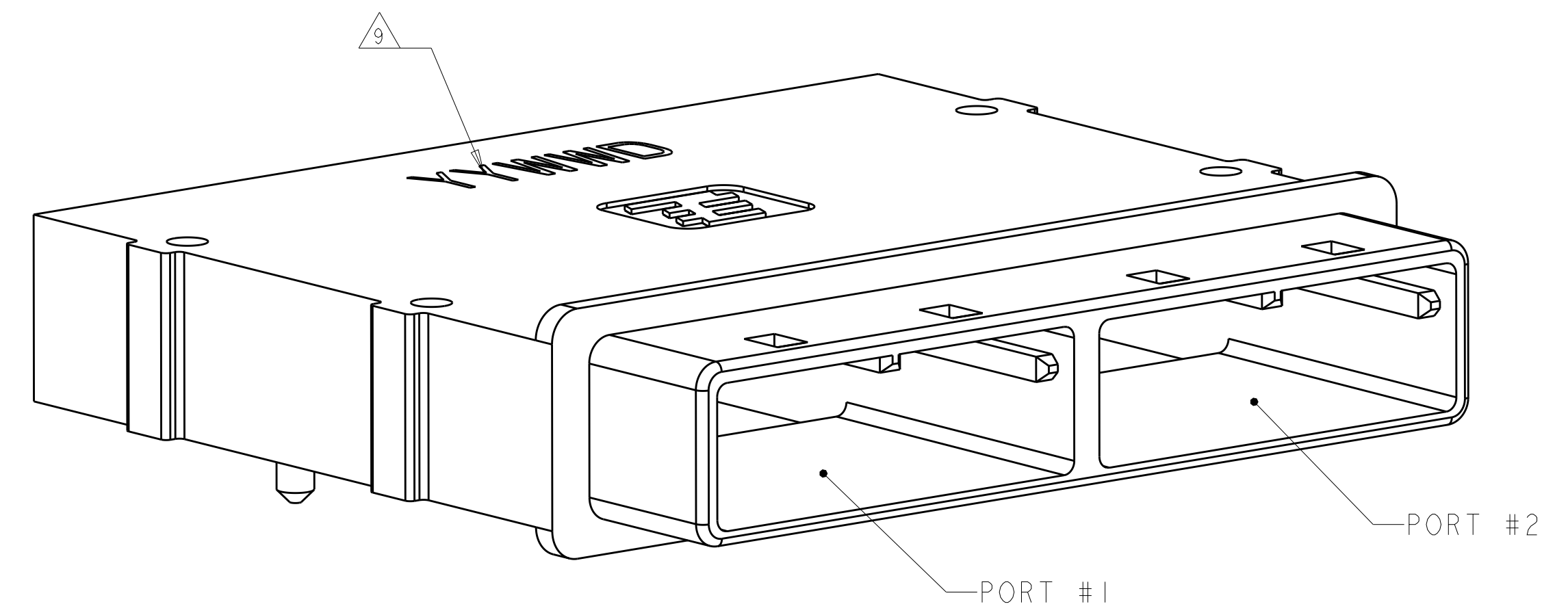


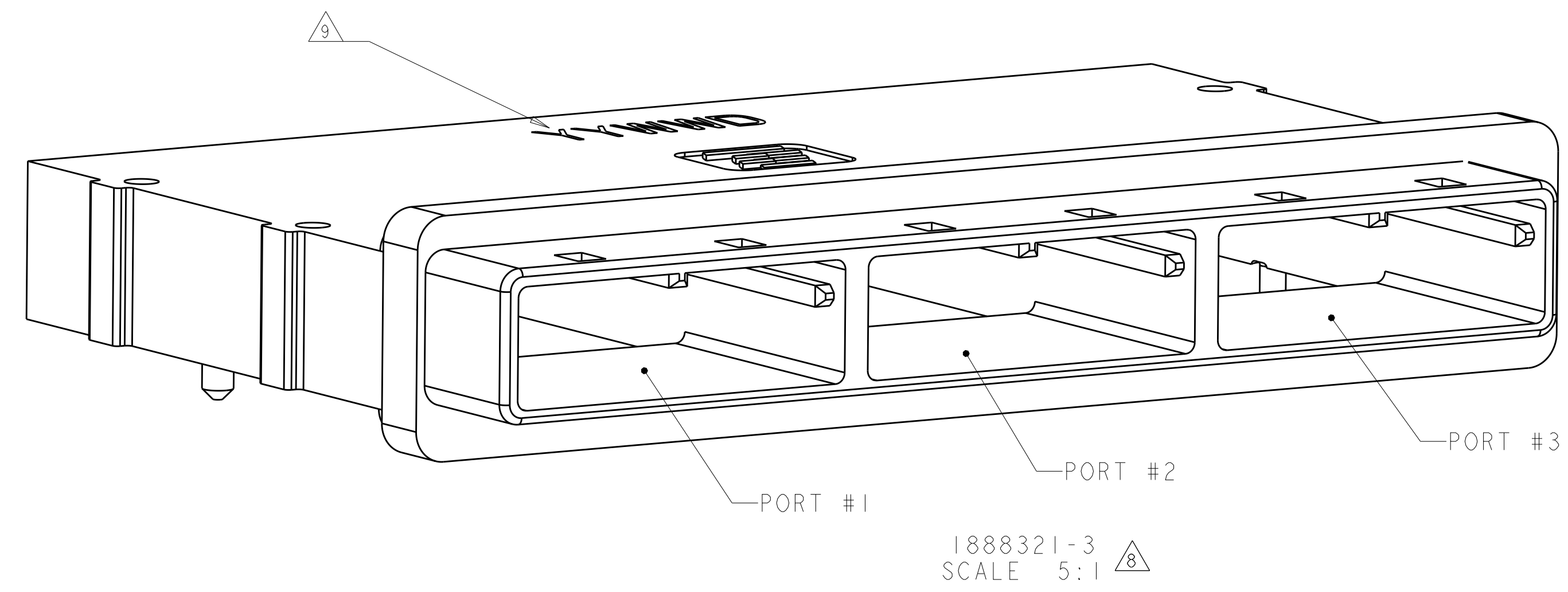
LOC		DIST		REVISIONS			
P	LTN	DESCRIPTION	DATE	DMN	APVD		
A2		REVISED PER ECO-11-004835	11MAR2011	RK	HMR		
B		REVISED PER ECO-12-014113	02AUG2012	JY	AC		
C		REVISED PER ECO-12-019905	04DEC2012	CJV	DLG		



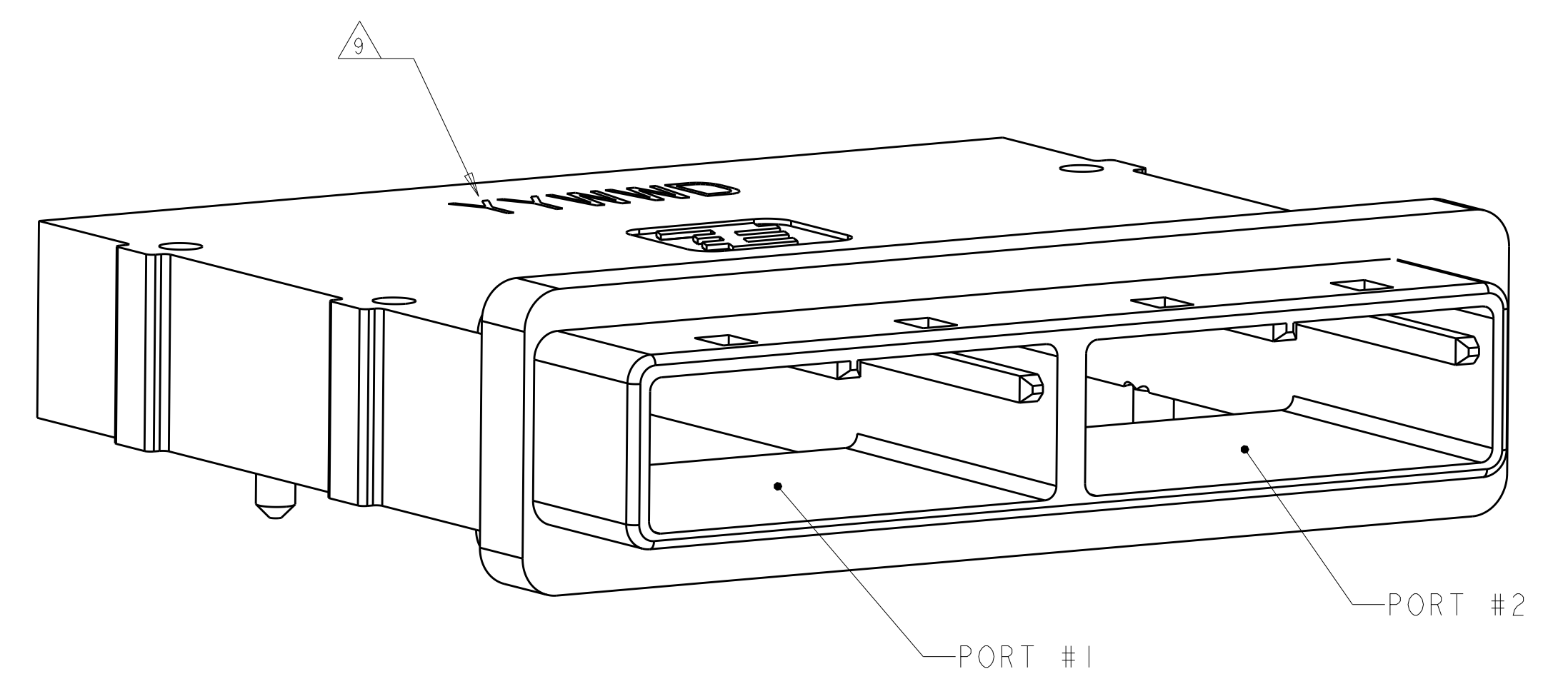
1888321-1
SCALE 5:1



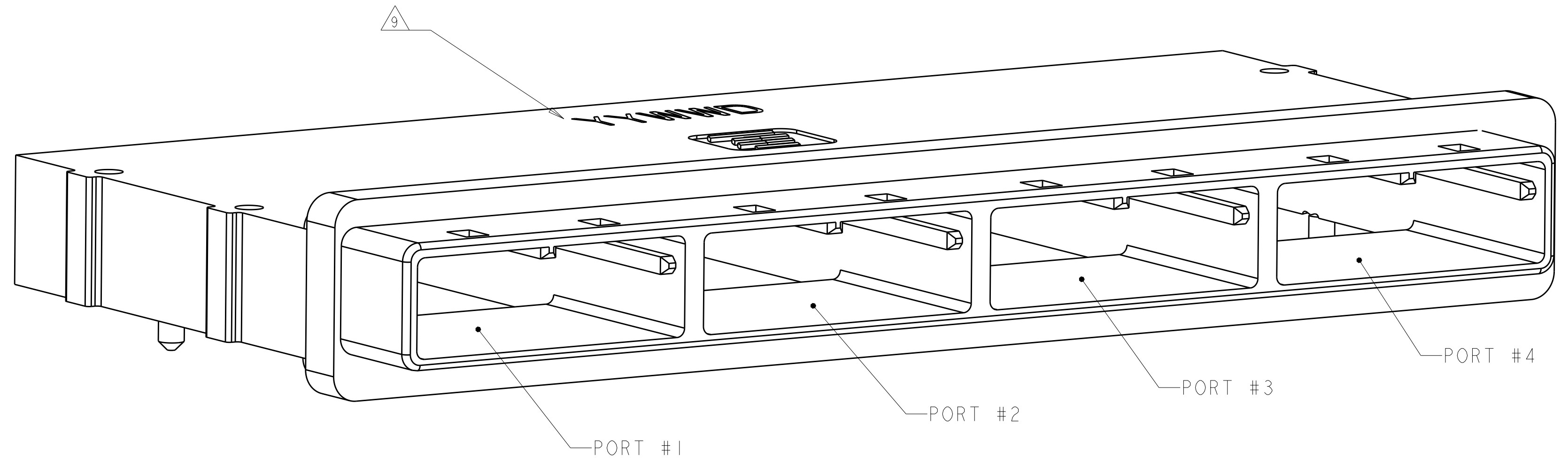
2-1888321-2
NO GASKET
SCALE 5:1



1888321-3
SCALE 5:1



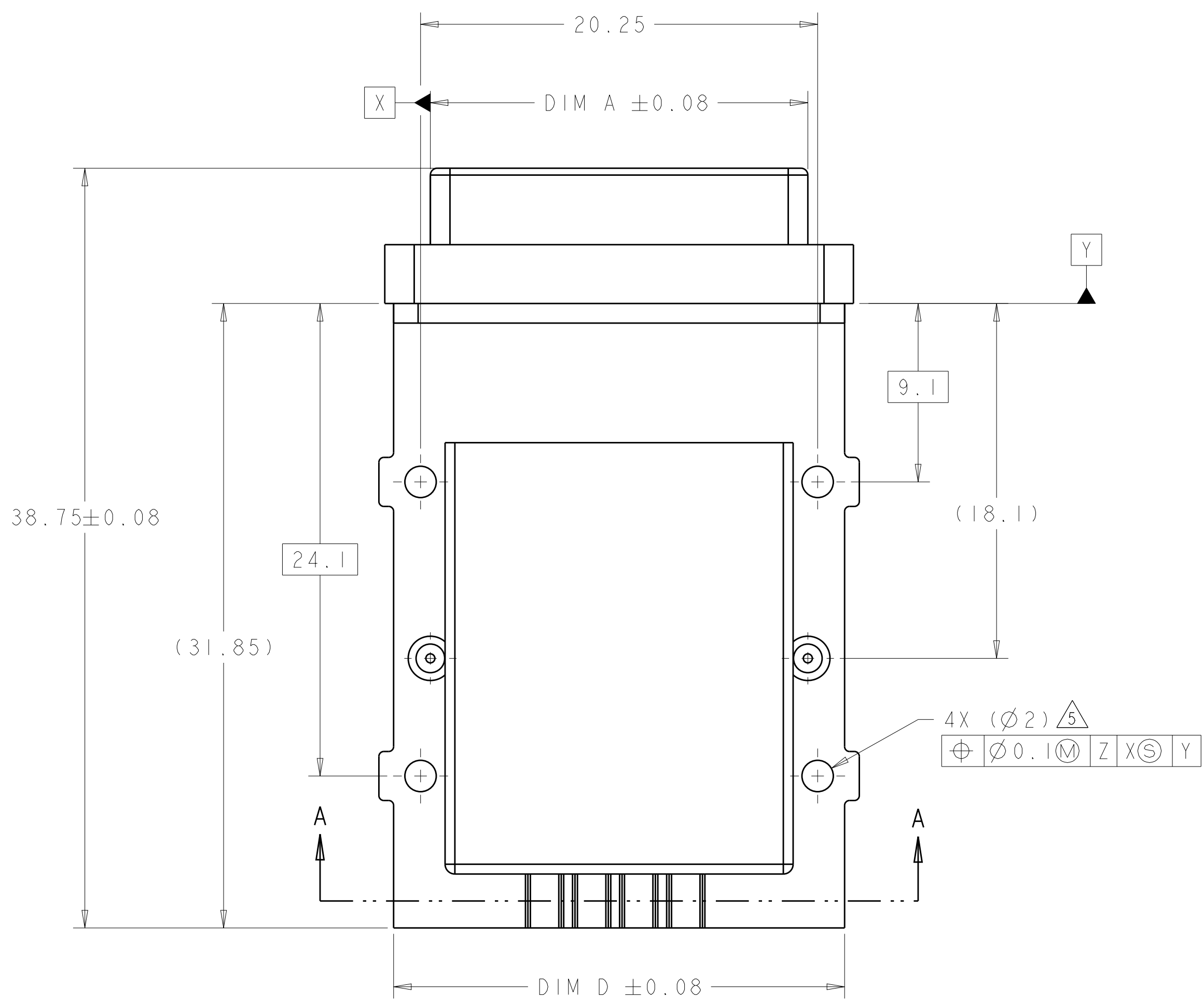
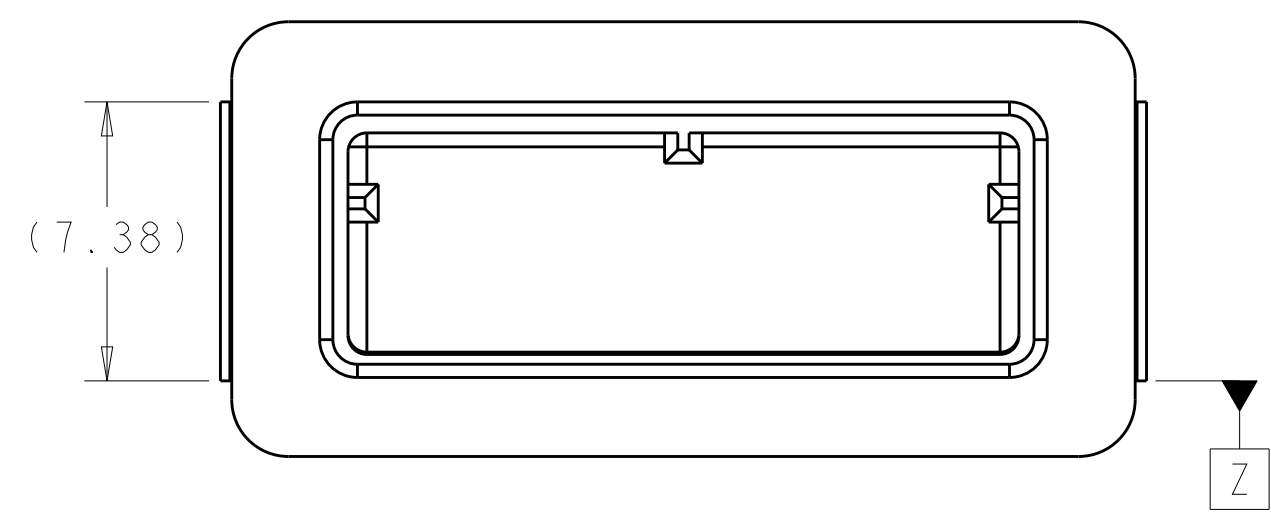
1888321-2
SCALE 5:1



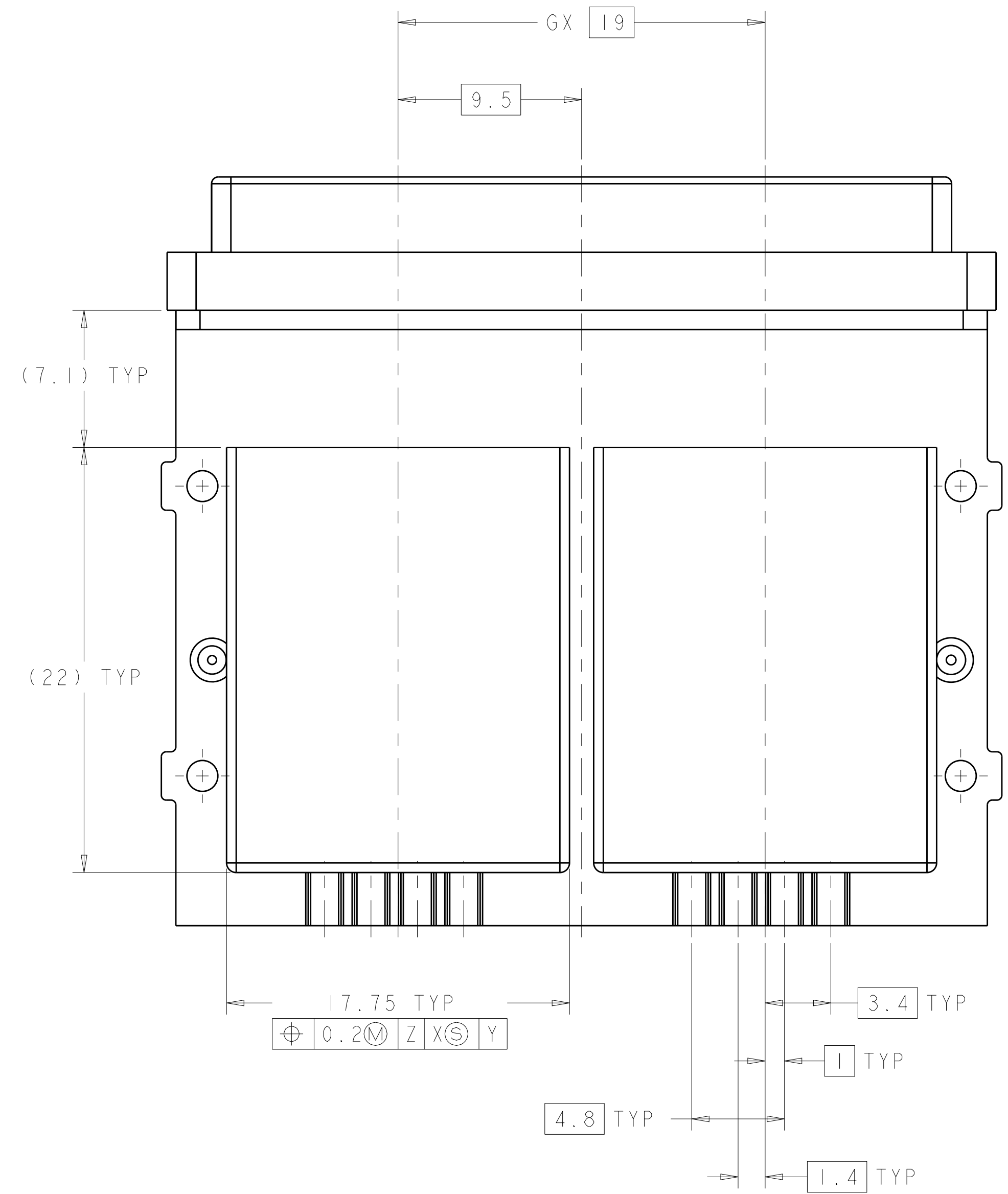
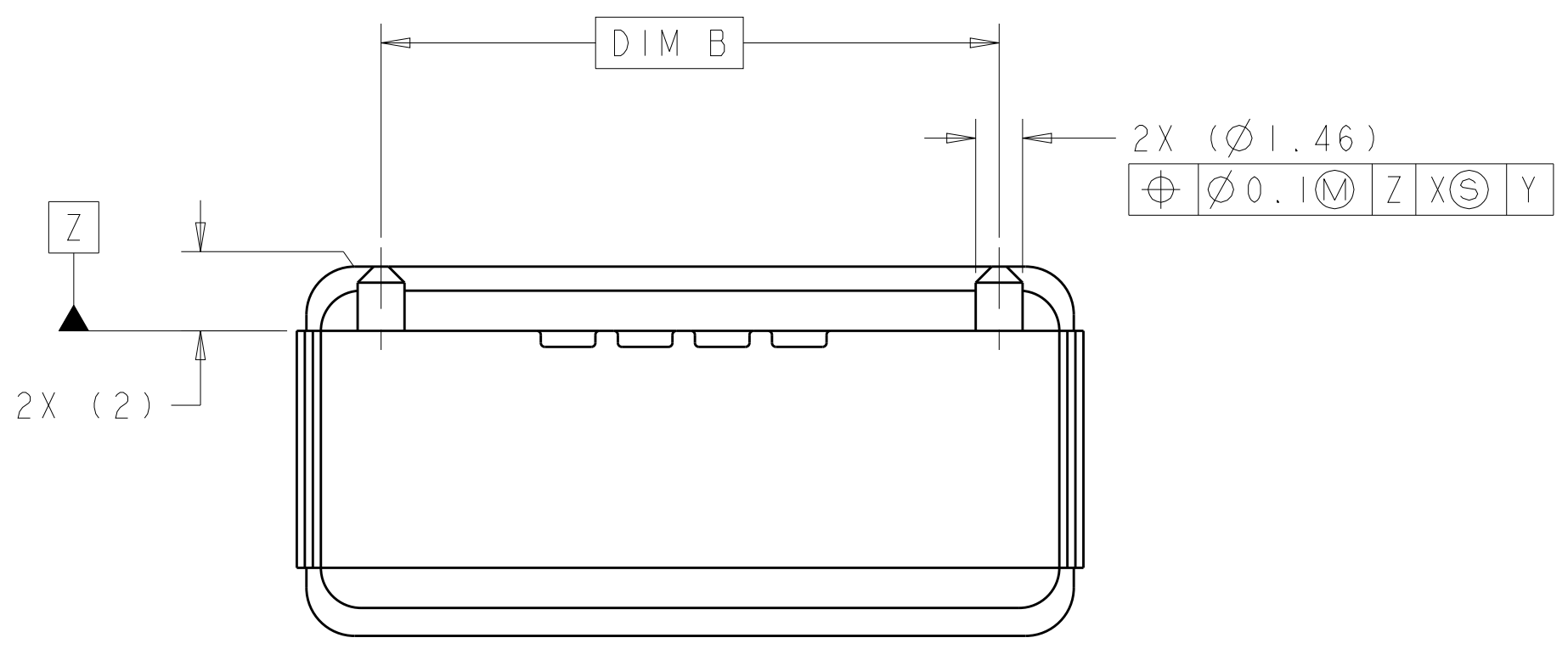
1888321-4
SCALE 5:1

THIS DRAWING IS A CONTROLLED DOCUMENT. DIMENSIONING AND TOLERANCING PER ASME Y14.5M-2009.		DMN: J. POLIGNONE CHK: D. GORENC APVD: D. GORENC	DATE: 01AUG07 DATE: 01AUG07 DATE: 01AUG07	TE Connectivity NAME: EVERCLEAR Mini-SAS EXTERNAL RECEPTACLE SHELL ASSEMBLY
DIMENSIONS: mm	TOLERANCES UNLESS OTHERWISE SPECIFIED:	PRODUCT SPEC	APPLICATION SPEC	
MATERIAL: SEE NOTES	FINISH: SEE NOTES	WEIGHT: -	Customer Drawing	RESTRICTED TO: - SCALE: 5:1 SHEET 1 OF 4 REV C

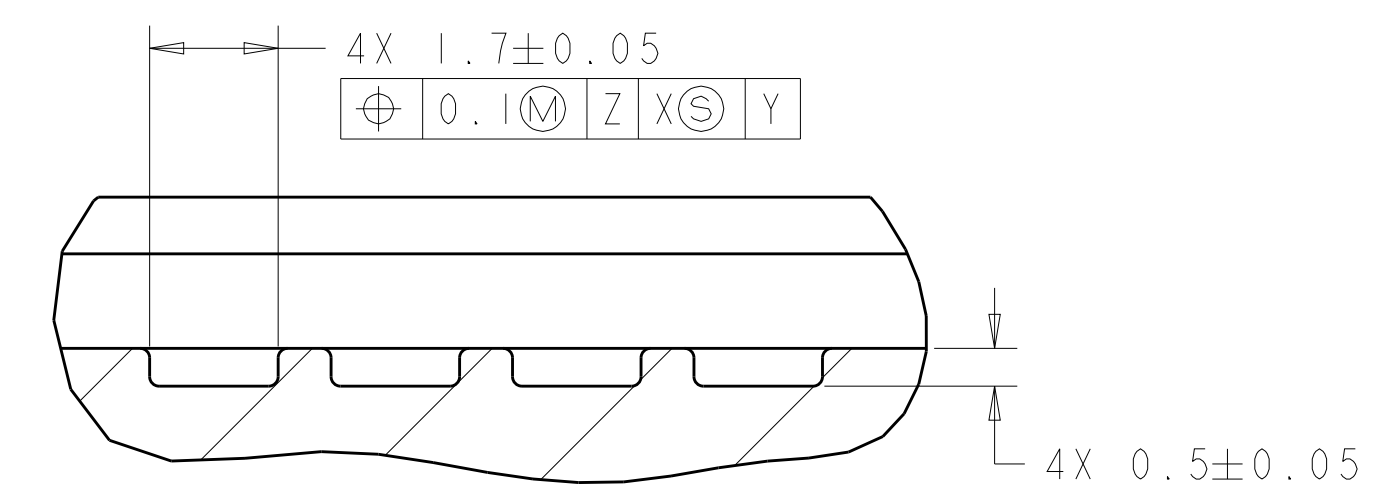
LOC	DIST	REVISIONS					
GP	00	P	LTN	DESCRIPTION	DATE	DWN	APVD
		-		SEE SHEET 1			



RECOMMENDED SINGLE PORT LAYOUT
 SAME AS 1888321-1 EXCEPT AS SHOWN
 SCALE 5:1



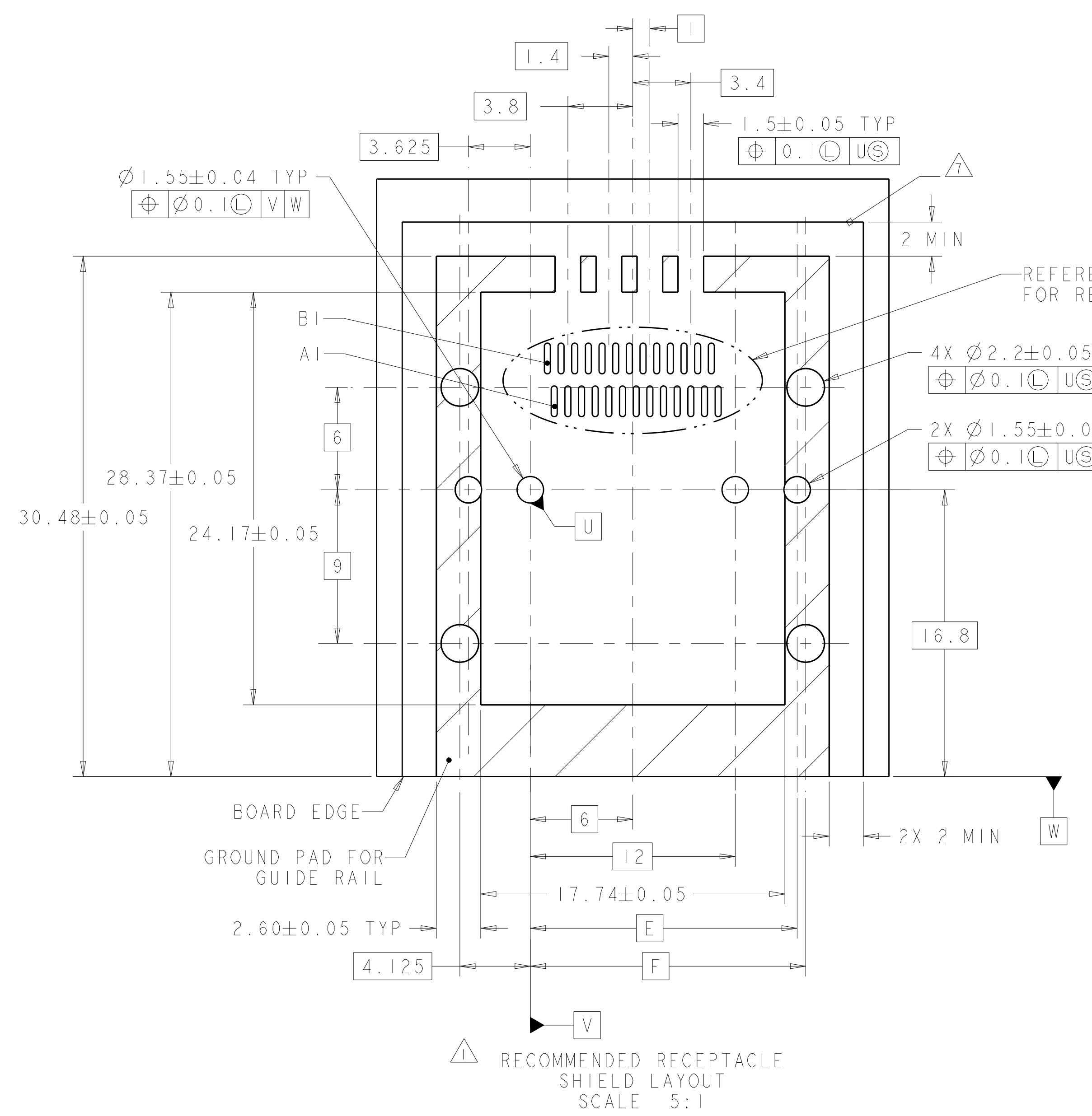
RECOMMENDED MULTI-PORT LAYOUT,
 SAME AS 1888321-1, EXCEPT AS SHOWN
 SCALE 5:1



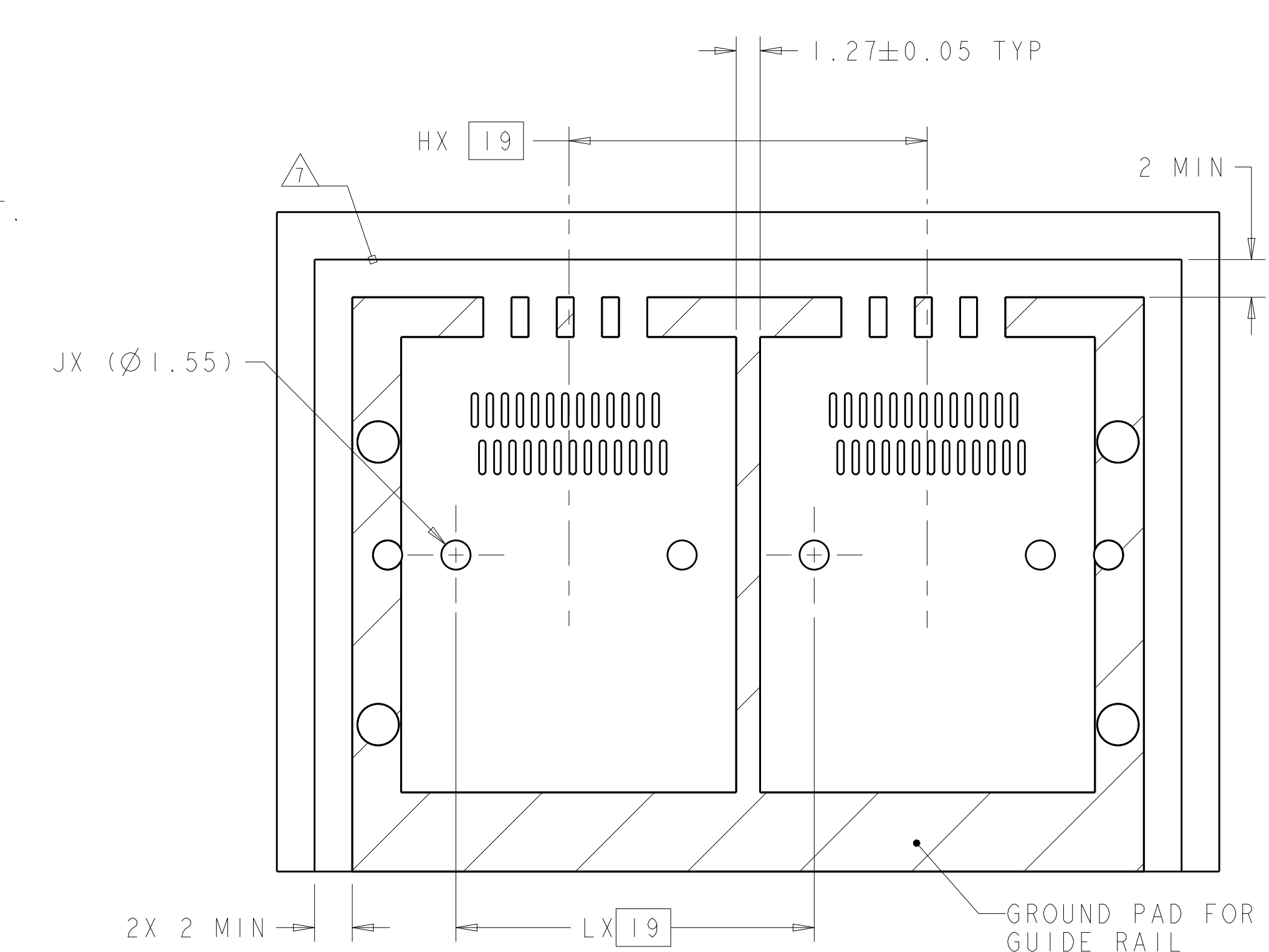
SECTION A-A
 SCALE 10:1

THIS DRAWING IS A CONTROLLED DOCUMENT. DIMENSIONING AND TOLERANCING PER ASME Y14.5M-2009.		DWN: J. POLIGNONE 01AUG07	TE Connectivity
DIMENSIONS: mm		CHK: D. GORENC 01AUG07	
TOLERANCES UNLESS OTHERWISE SPECIFIED:		APVD: D. GORENC 01AUG07	NAME: EVERCLEAR Mini-SAS EXTERNAL RECEPTACLE SHELL ASSEMBLY
0 PLC ±	1 PLC ±	PRODUCT SPEC	SIZE: CAGE CODE DRAWING NO. RESTRICTED TO
2 PLC ±	3 PLC ±	APPLICATION SPEC	A100779C=1888321
4 PLC ±	ANGLES ±	WEIGHT	SCALE 5:1 SHEET 2 OF 4 REV C
MATERIAL: SEE NOTES	FINISH: SEE NOTES	Customer Drawing	

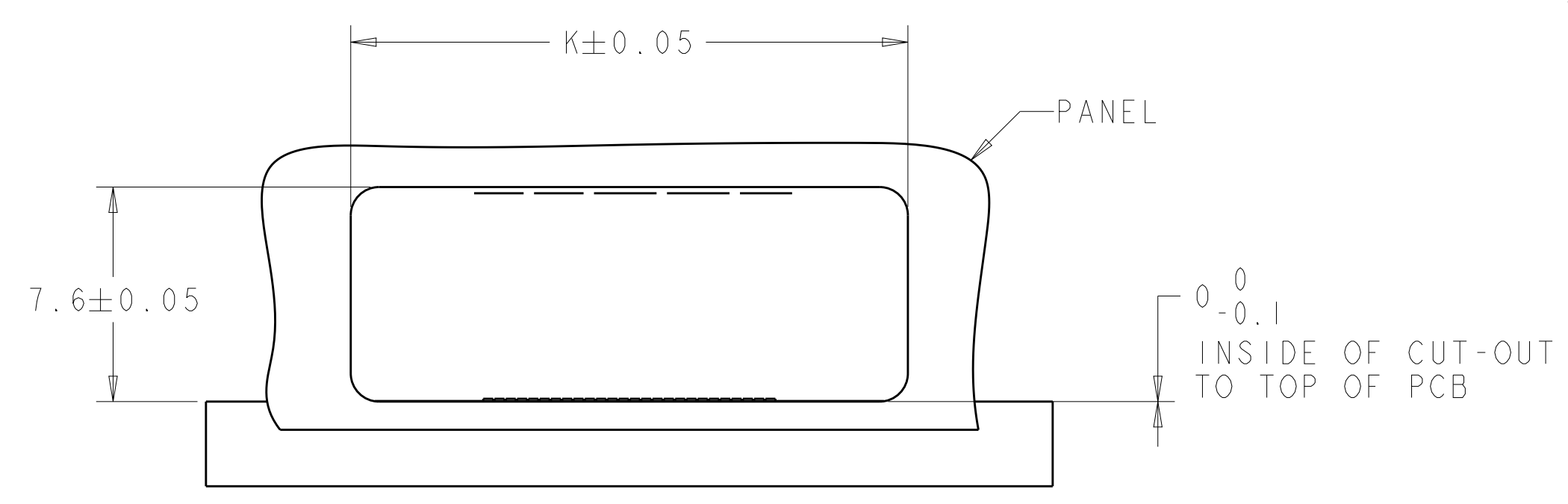
LOC		DIST		REVISIONS			
GP	00	P	LTN	DESCRIPTION	DATE	DMN	APVD
-	-	-	-	SEE SHEET 1	-	-	-



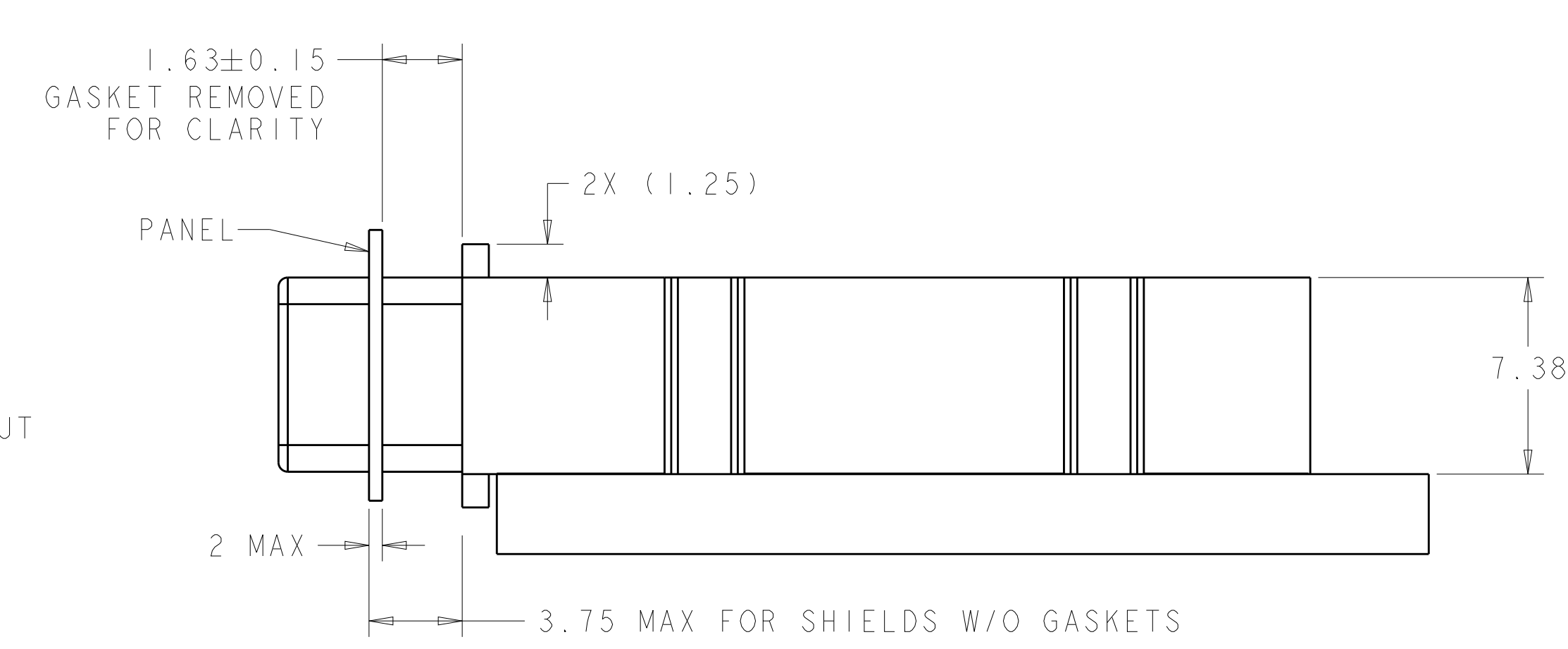
RECOMMENDED RECEPTACLE SHIELD LAYOUT SCALE 5:1



RECOMMENDED MULTI-PORT RECEPTACLE SHIELD LAYOUT, SAME AS SINGLE PORT, EXCEPT AS SHOWN SCALE 4:1



RECOMMENDED BRACKET LOCATION SCALE 5:1



THIS DRAWING IS A CONTROLLED DOCUMENT. DIMENSIONING AND TOLERANCING PER ASME Y14.5M-2009.		DMN: J. POLIGNONE 01AUG07	TE Connectivity NAME: EVERCLEAR Mini-SAS EXTERNAL RECEPTACLE SHELL ASSEMBLY
DIMENSIONS: mm		CHK: D. GORENC 01AUG07	
TOLERANCES UNLESS OTHERWISE SPECIFIED:		APVD: D. GORENC 01AUG07	PRODUCT SPEC
0 PLC	±	APPLICATION SPEC	SIZE: CAGE CODE DRAWING NO
1 PLC	±	WEIGHT	A100779C=1888321
2 PLC	±	Customer Drawing	SCALE: 3:1 SHEET 3 OF 4 REV C
3 PLC	±		
4 PLC	±		
ANGLES	±		
MATERIAL: SEE NOTES	FINISH: SEE NOTES		