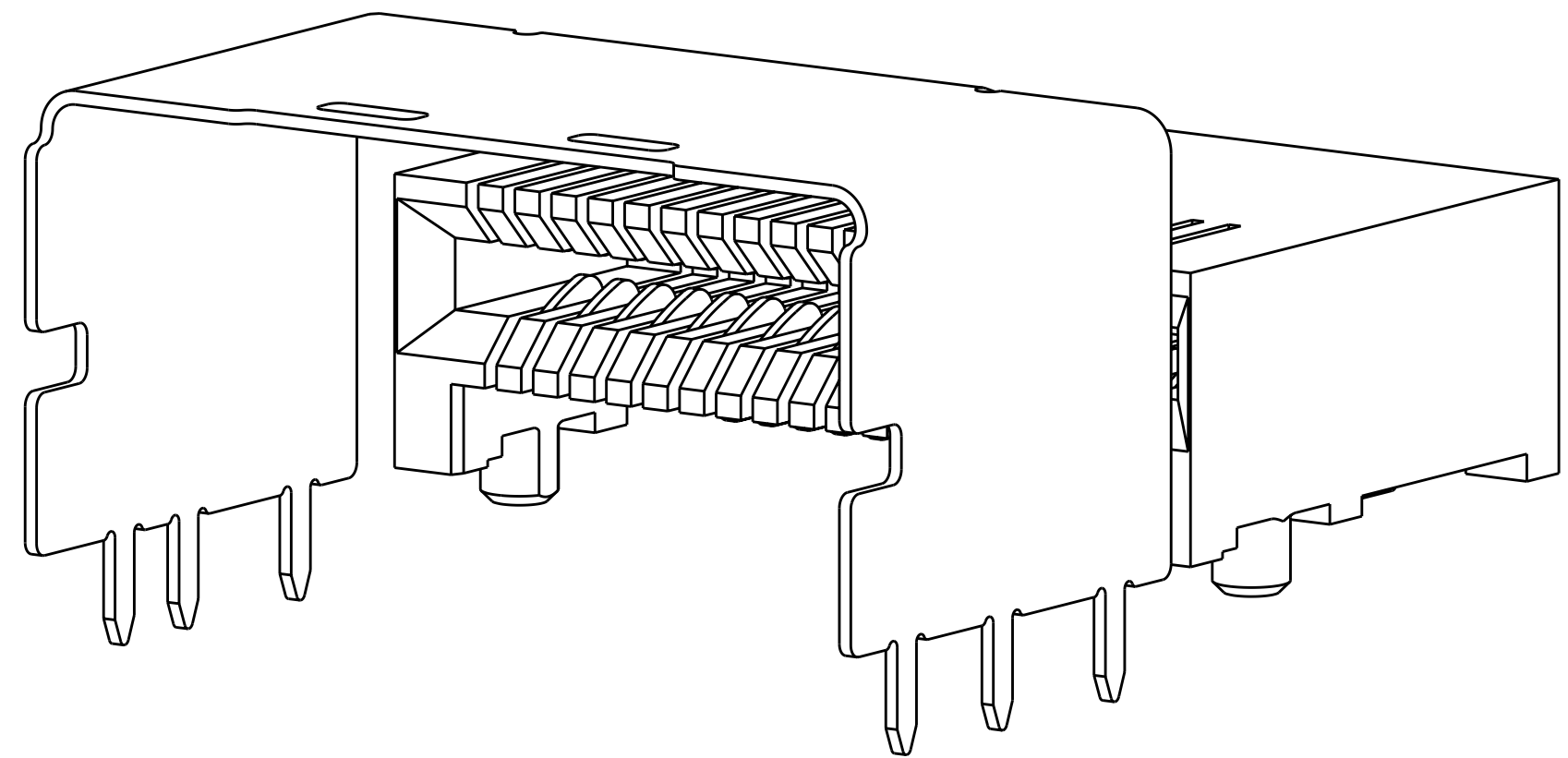
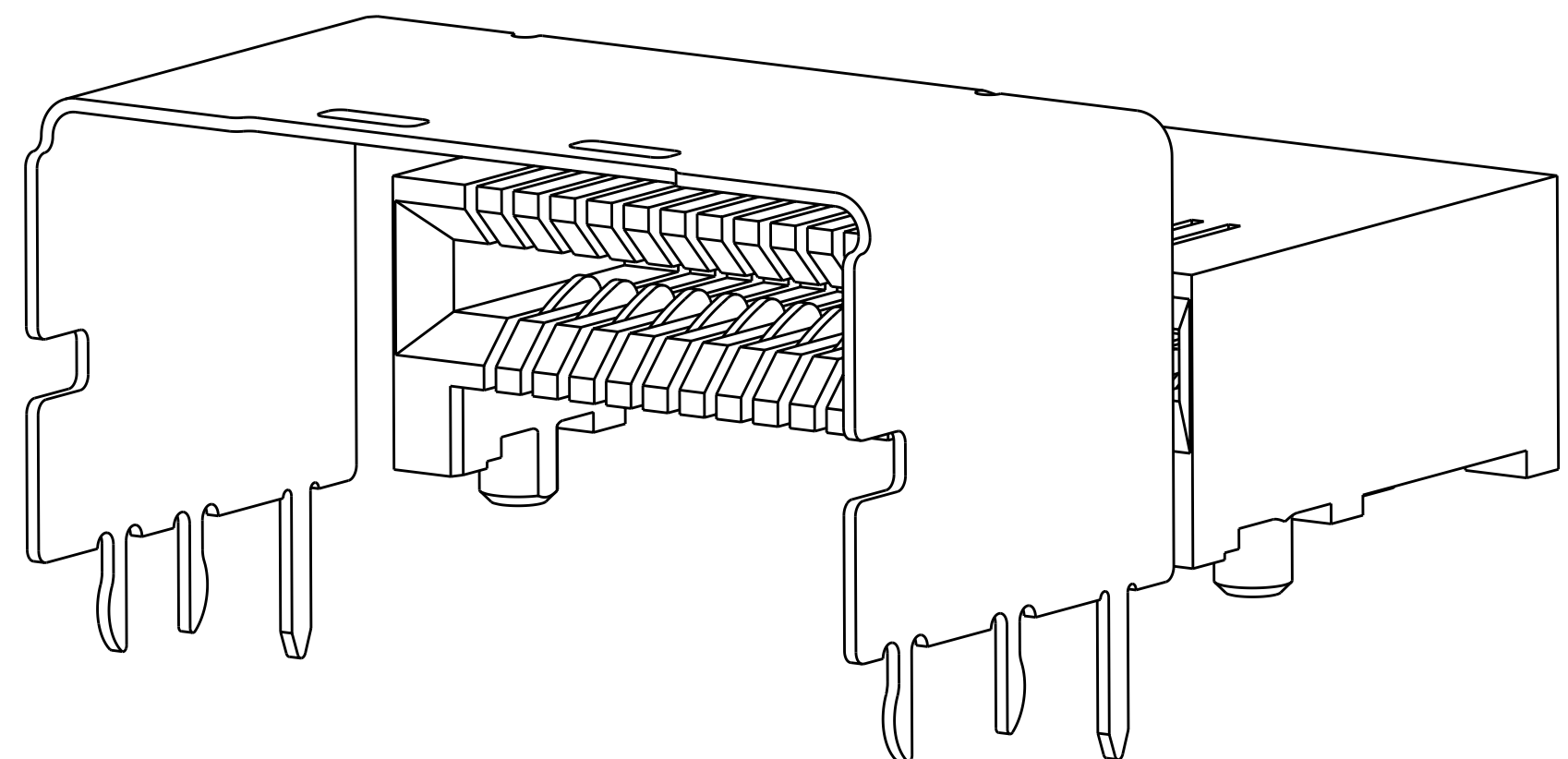


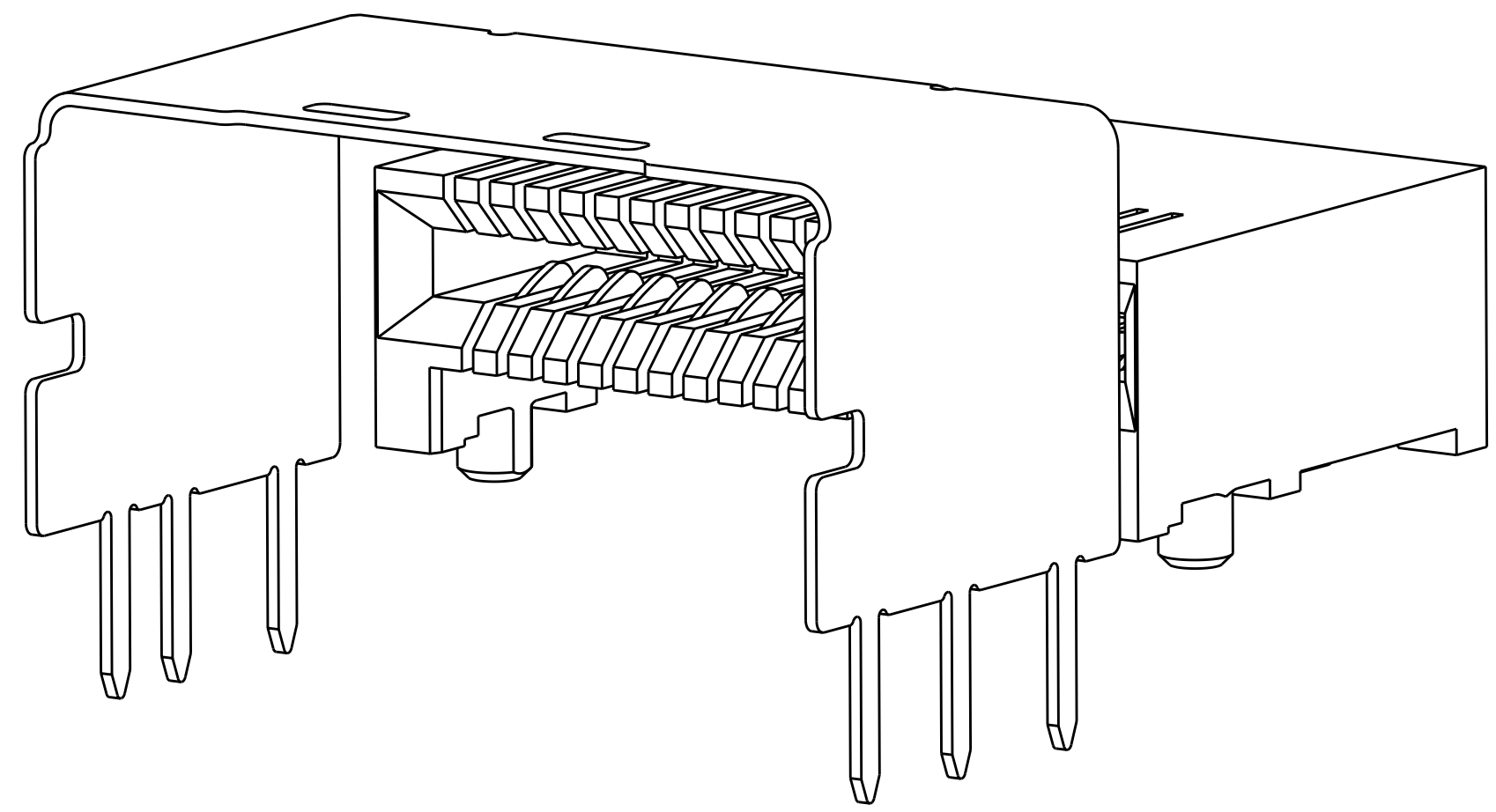
LOC	DIST	REVISIONS			
GP	00	REV	DATE	BY	APPD
		B1	08OCT2009	CR	DG
		B2	02AUG2010	JY	SY



1888861-2 AND 1888861-9  
 SHOWN WITHOUT PICK AND PLACE DEVICE



1888861-4 AND 1-1888861-0  
 SHOWN WITHOUT PICK AND PLACE DEVICE



1888861-8 AND 1-1888861-2  
 SHOWN WITHOUT PICK AND PLACE DEVICE

△ MATERIAL: LCP, BLACK.

△ MATERIAL: PHOSPHOR BRONZE PER ASTM B 103.

△ FINISH: 0.76um MIN GOLD PLATE PER ASTM B 488, APPLIES TO INTERFACE AREA AND 2.03um MIN TIN PLATE SOLDER TAILS, ALL OVER 3.81um MIN NICKEL PLATE PER QQ-N-290.

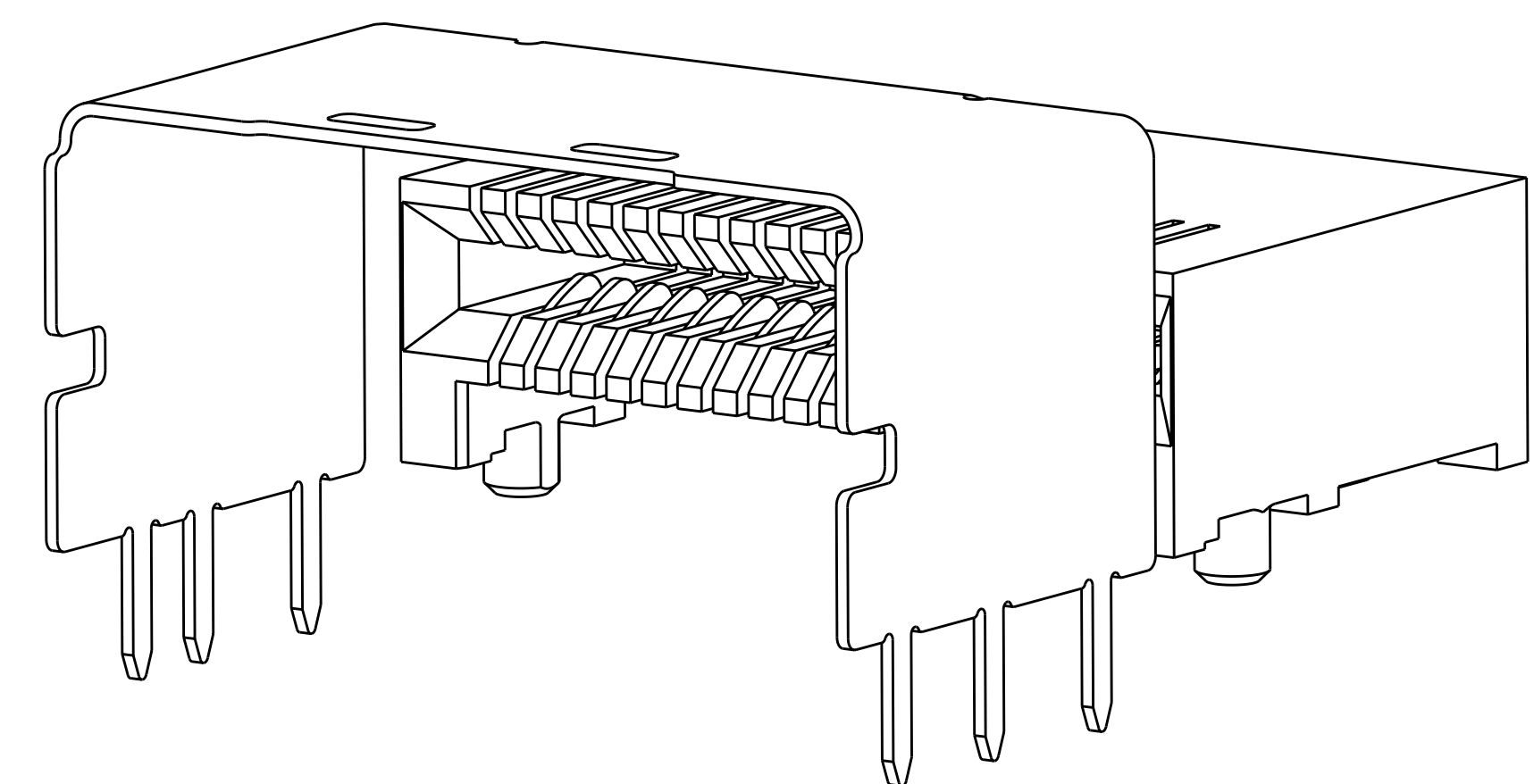
△ MATERIAL: NICKEL-SILVER PER ASTM B 122.

△ DATUM AND BASIC DIMENSION ESTABLISHED BY CUSTOMER.

6. REFER TO CUSTOMER DRAWING 1761987 FOR CONNECTOR DETAILS.

7. PACKAGED IN TAPE AND REEL PER EIA-481.

△ FINISH: 0.38um MIN GOLD PLATE PER ASTM B 488, APPLIES TO INTERFACE AREA AND 2.03um MIN TIN PLATE SOLDER TAILS, ALL OVER 3.81um MIN NICKEL PLATE PER QQ-N-290.

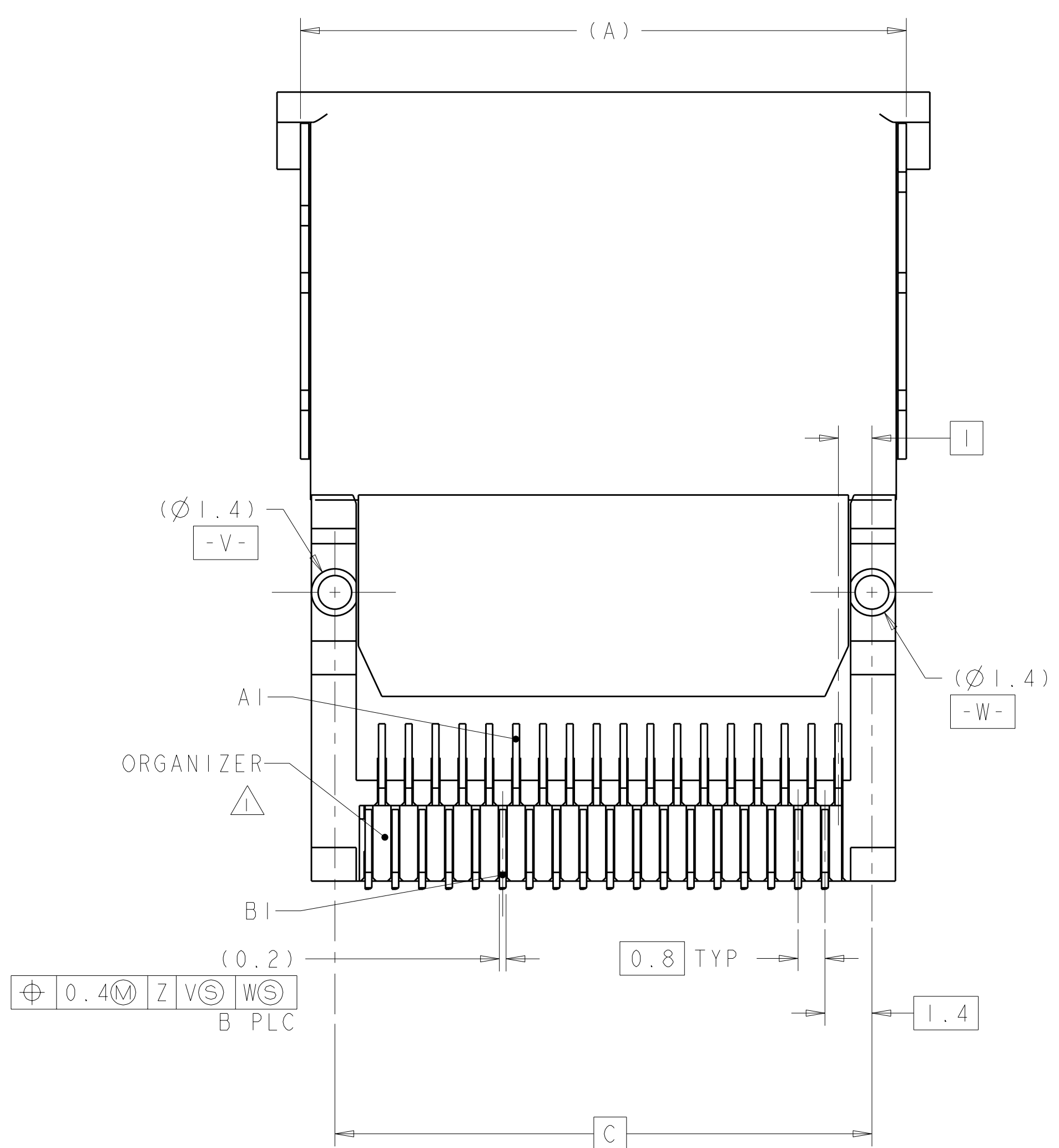
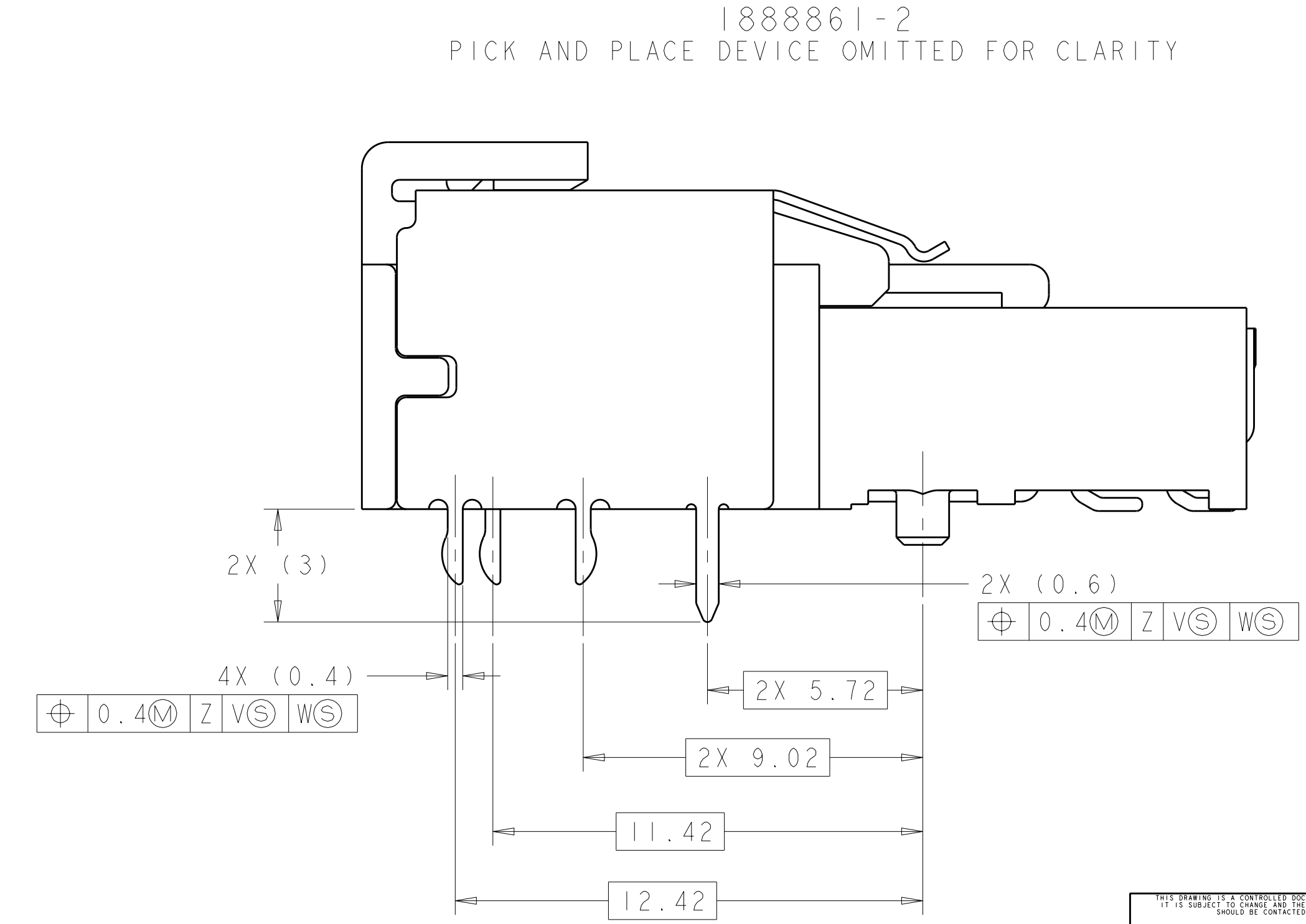
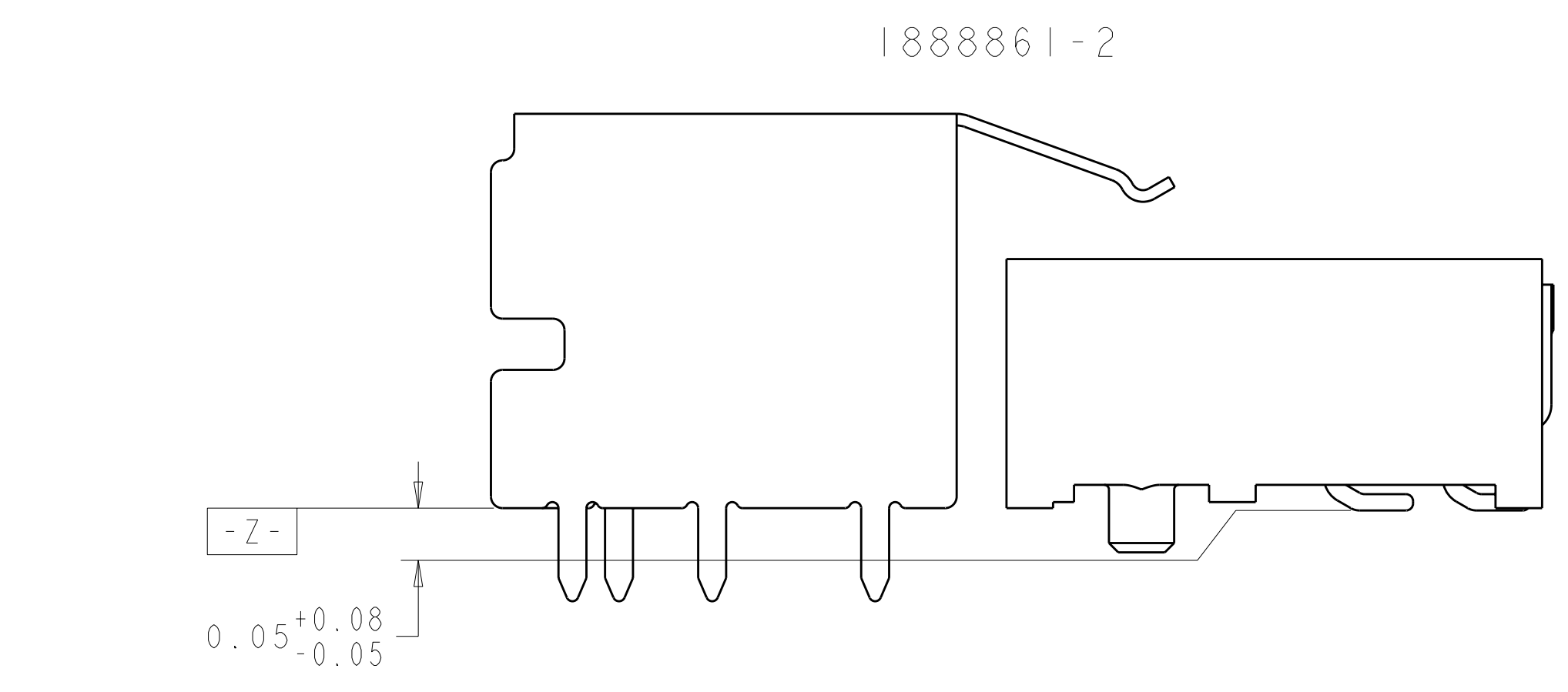
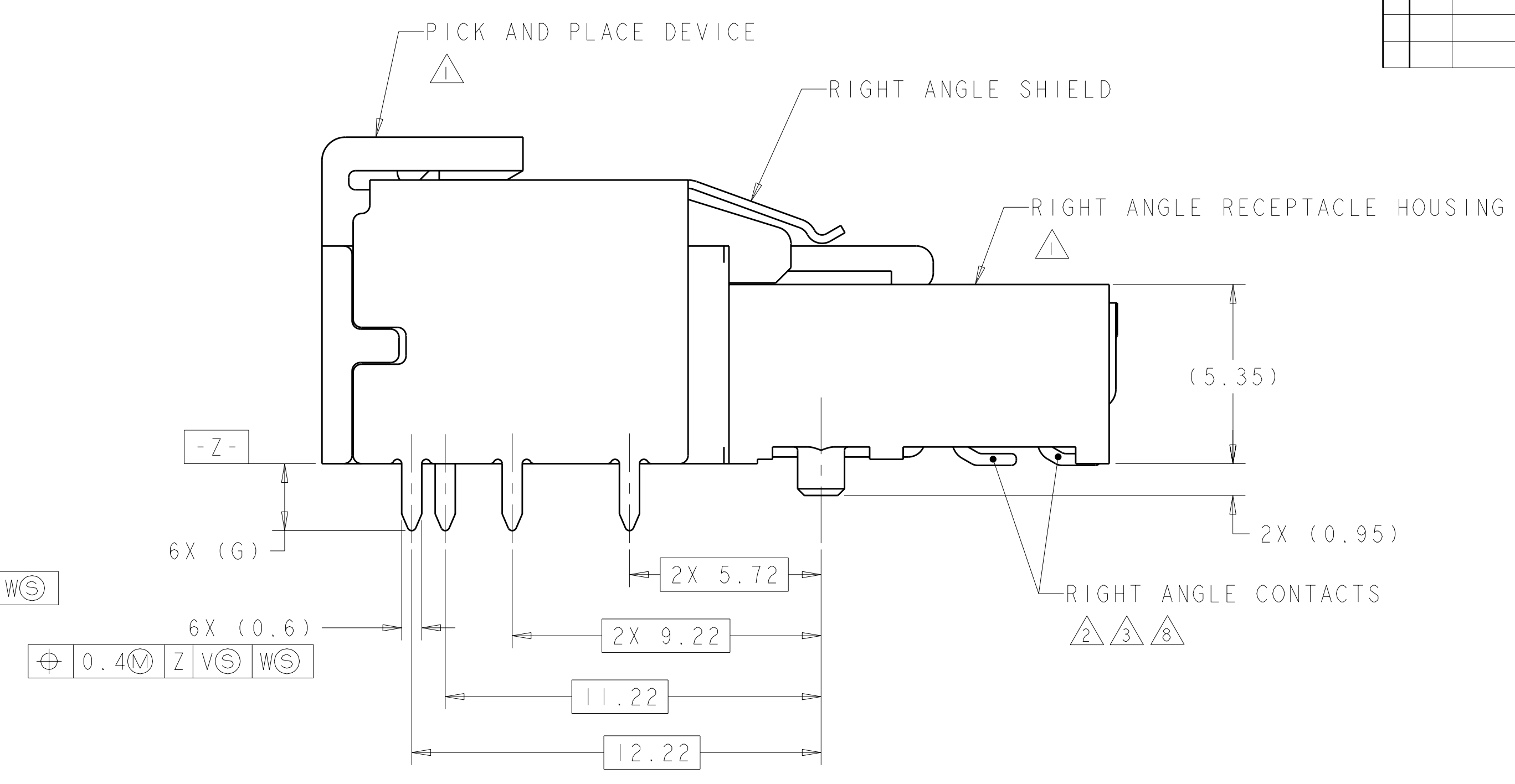
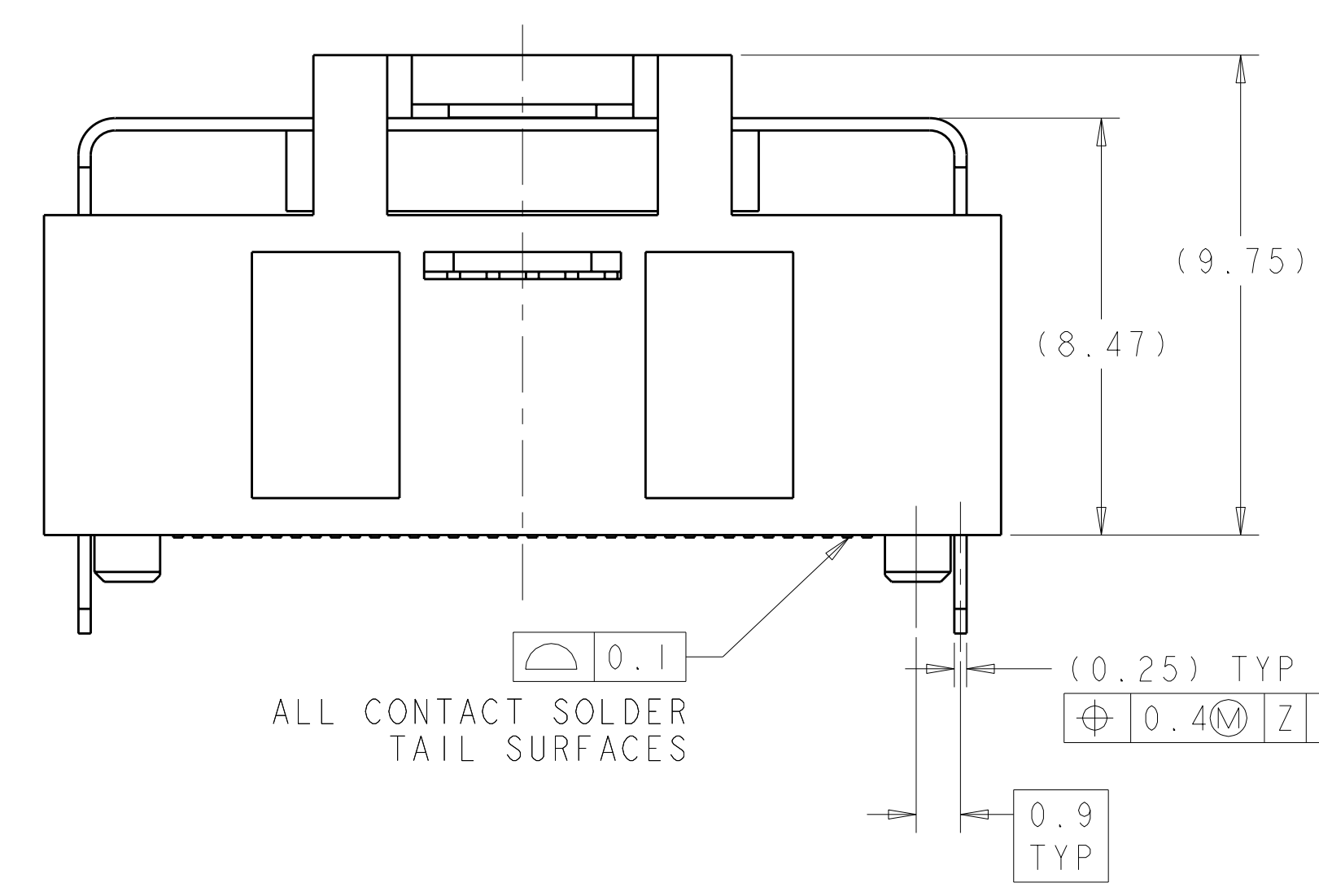


1888861-6 AND 1-1888861-1  
 SHOWN WITHOUT PICK AND PLACE DEVICE

FINISH	REMARKS	G	E	D	C	B	A	POSN	PART NUMBER
△	THRU HOLE	3.5	17.8	16	16	36	18.05	36	1-1888861-2
	PRESS FIT	-	17.8	16	16	36	18.05	36	1-1888861-0
	THRU HOLE	2	17.8	16	16	36	18.05	36	1888861-9
△	THRU HOLE	3.5	17.8	16	16	36	18.05	36	1888861-8
	PRESS FIT	-	17.8	16	16	36	18.05	36	1888861-4
	THRU HOLE	2	17.8	16	16	36	18.05	36	1888861-2

DIMENSIONS: mm 		TOLERANCES UNLESS OTHERWISE SPECIFIED: 9 PLC ± 1 PLC ± 5 PLC ± 4 PLC ± ANGLES ± FINISH ±		DWN B. MCMASTER 21FEB07 CHK D. GORENC 21FEB07 APVD D. GORENC 21FEB07		Tyco Electronics Harrisburg, PA 17105-3608	
MATERIAL SEE NOTES		FINISH SEE TABLE		NAME EVERCLEAR Mini-SAS RIGHT ANGLE, INTERNAL RECEPTACLE ASSEMBLY, WITH UNKEYED SHELL PRODUCT SPEC 108-2234 APPLICATION SPEC		SIZE CAGE CODE DRAWING NO. RESTRICTED TO A100779C=1888861	
CUSTOMER DRAWING				WEIGHT - SCALE 8:1		SHEET 1 OF 3 REV B2	

LOC	DIST	REVISIONS					
GP	00	P	LTB	DESCRIPTION	DATE	DWN	APVD
		-	-	SEE SHEET 1	-	-	-



DIMENSIONS: mm 		TOLERANCES UNLESS OTHERWISE SPECIFIED: 9 PLC ± 5 PLC ± 4 PLC ± ANGLES ±		DWN B. MCMASTER 21FEB07 CHK D. GORENC 21FEB07 APVD D. GORENC 21FEB07		Tyco Electronics Harrisburg, PA 17105-3608	
MATERIAL: SEE NOTES FINISH: SEE TABLE		PRODUCT SPEC: 108-2234 APPLICATION SPEC:		NAME: EVERCLEAR Mini-SAS RIGHT ANGLE, INTERNAL RECEPTACLE ASSEMBLY, WITH UNKEYED SHELL		SIZE: A   00779   C=1888861 CUSTOMER DRAWING	
		WEIGHT: -		SCALE: 5:1		SHEET: 2 OF 3 REV: B2	