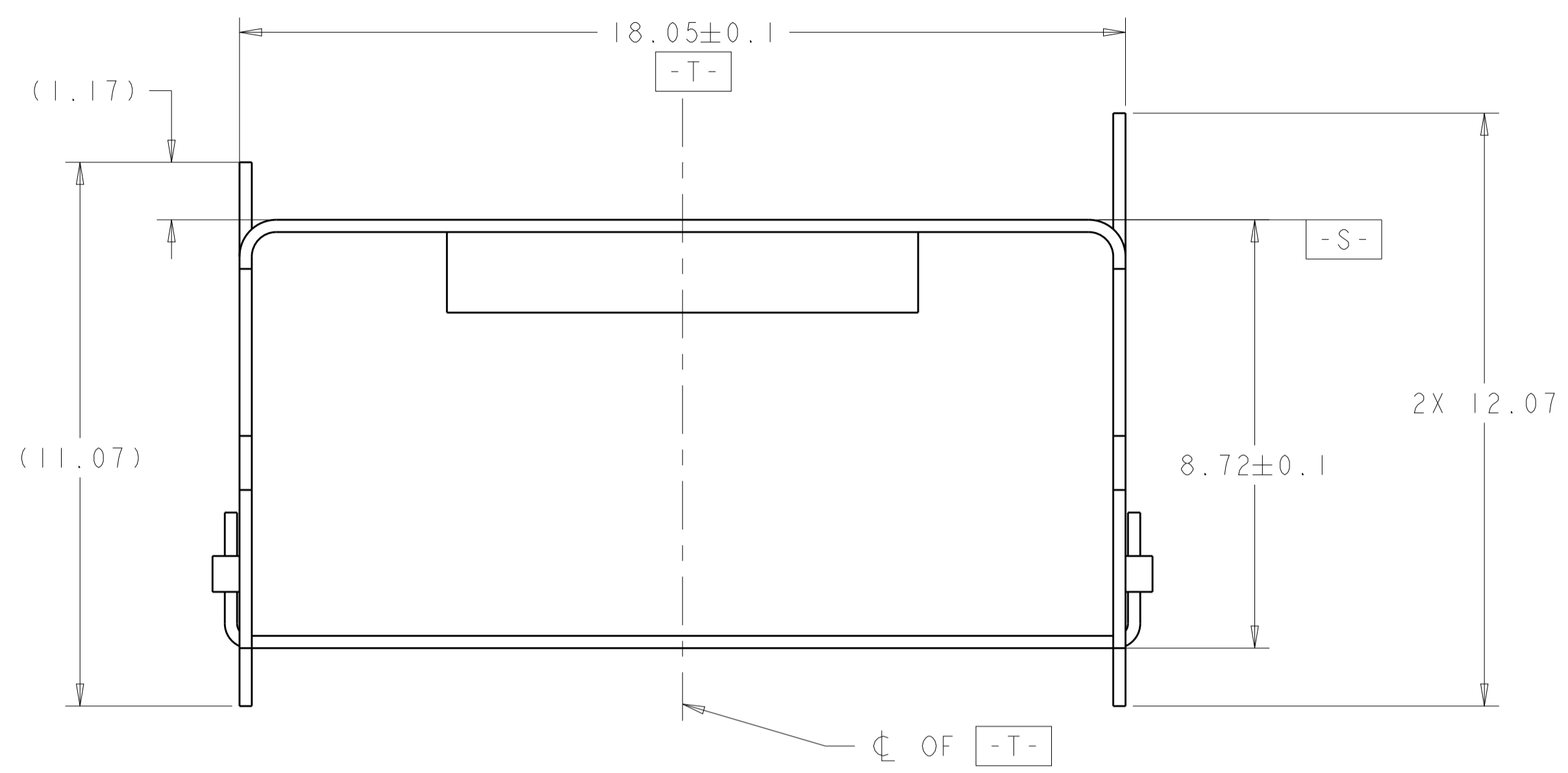
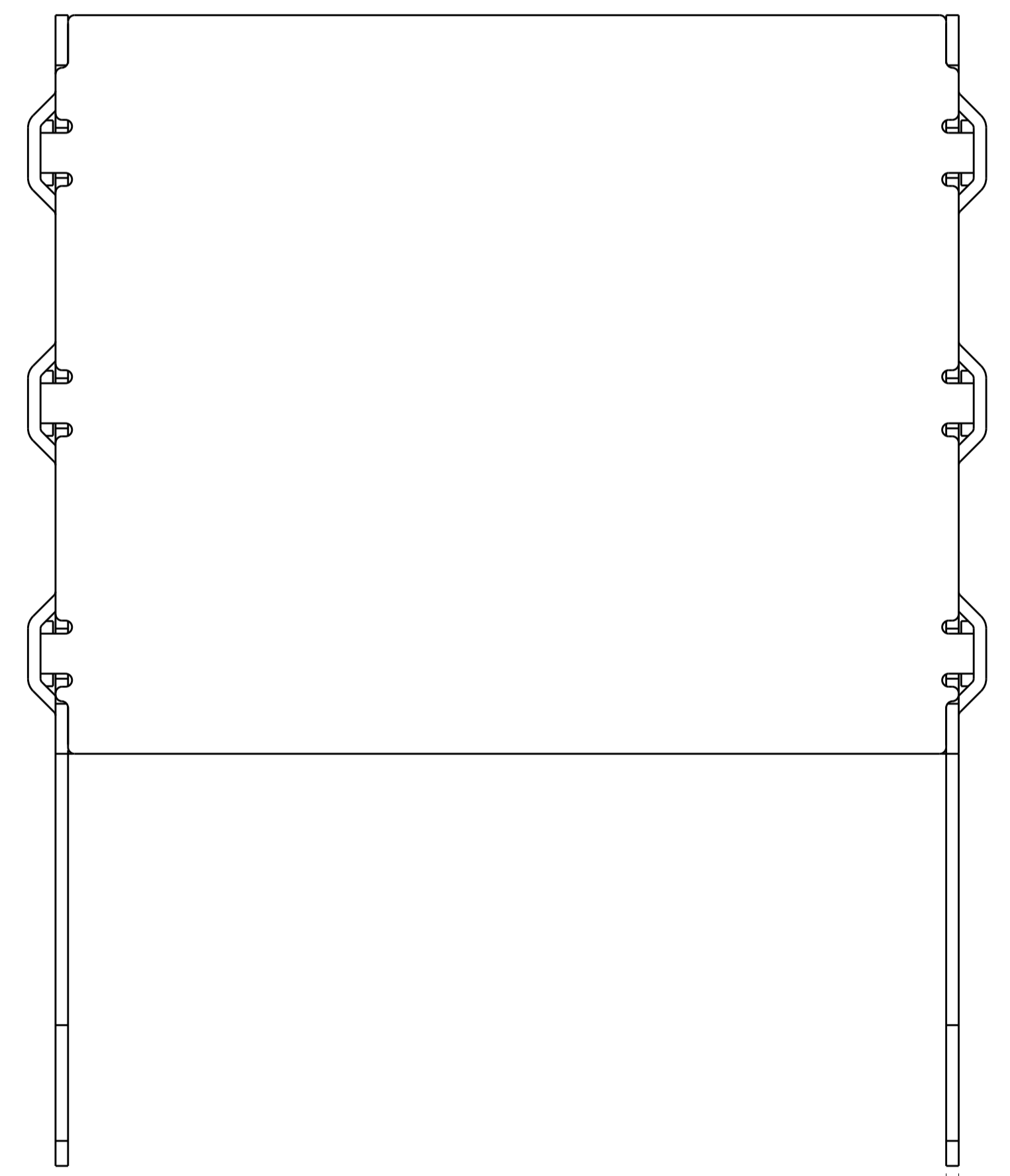


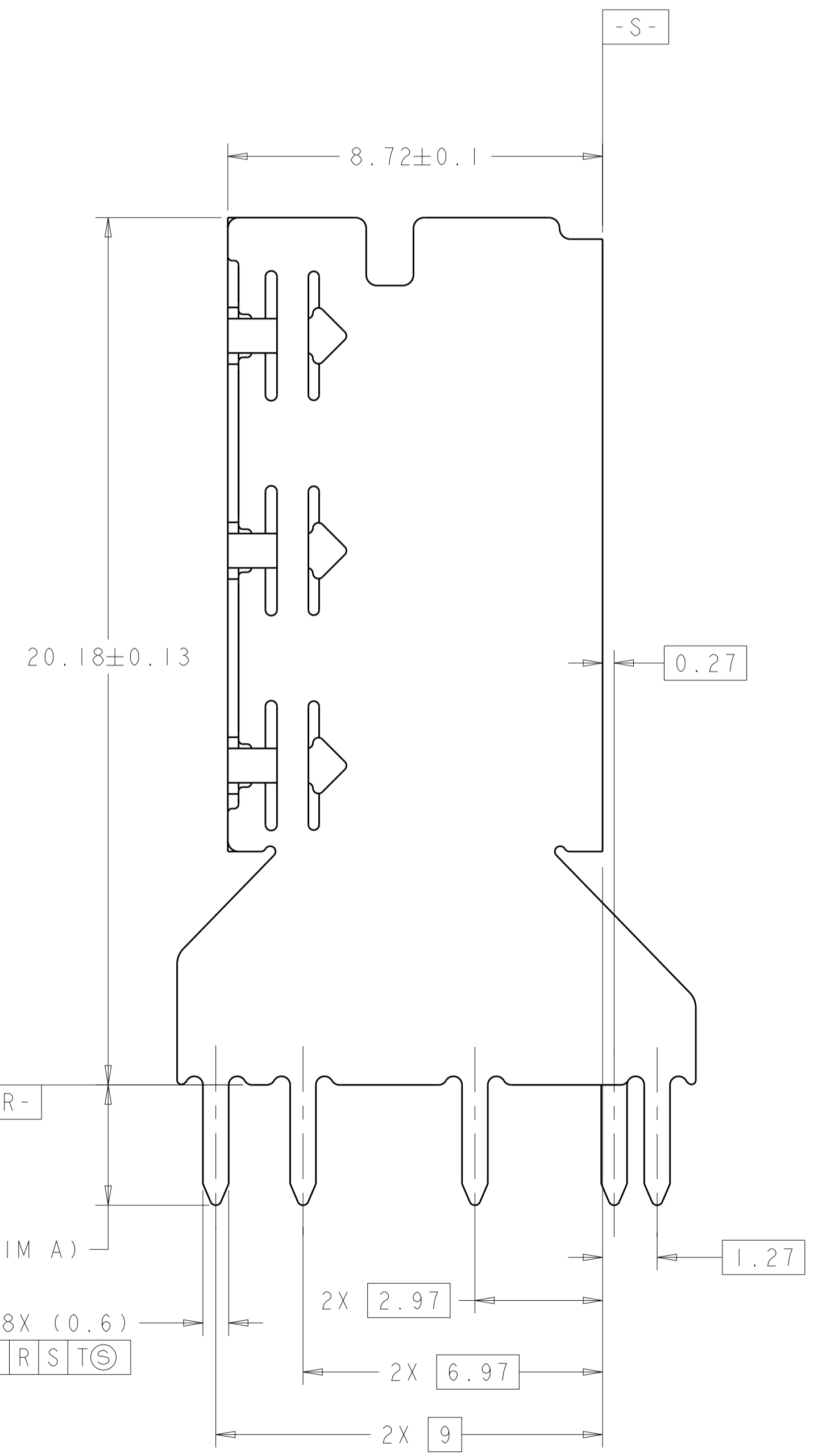
REVISIONS				
P.	LTN	DESCRIPTION	DATE	DWN APVD
A1		RELEASED PER ECO-14-005892	21APR2014	BL JY
A2		RELEASED PER ECO-14-016798	19NOV2014	HW JY



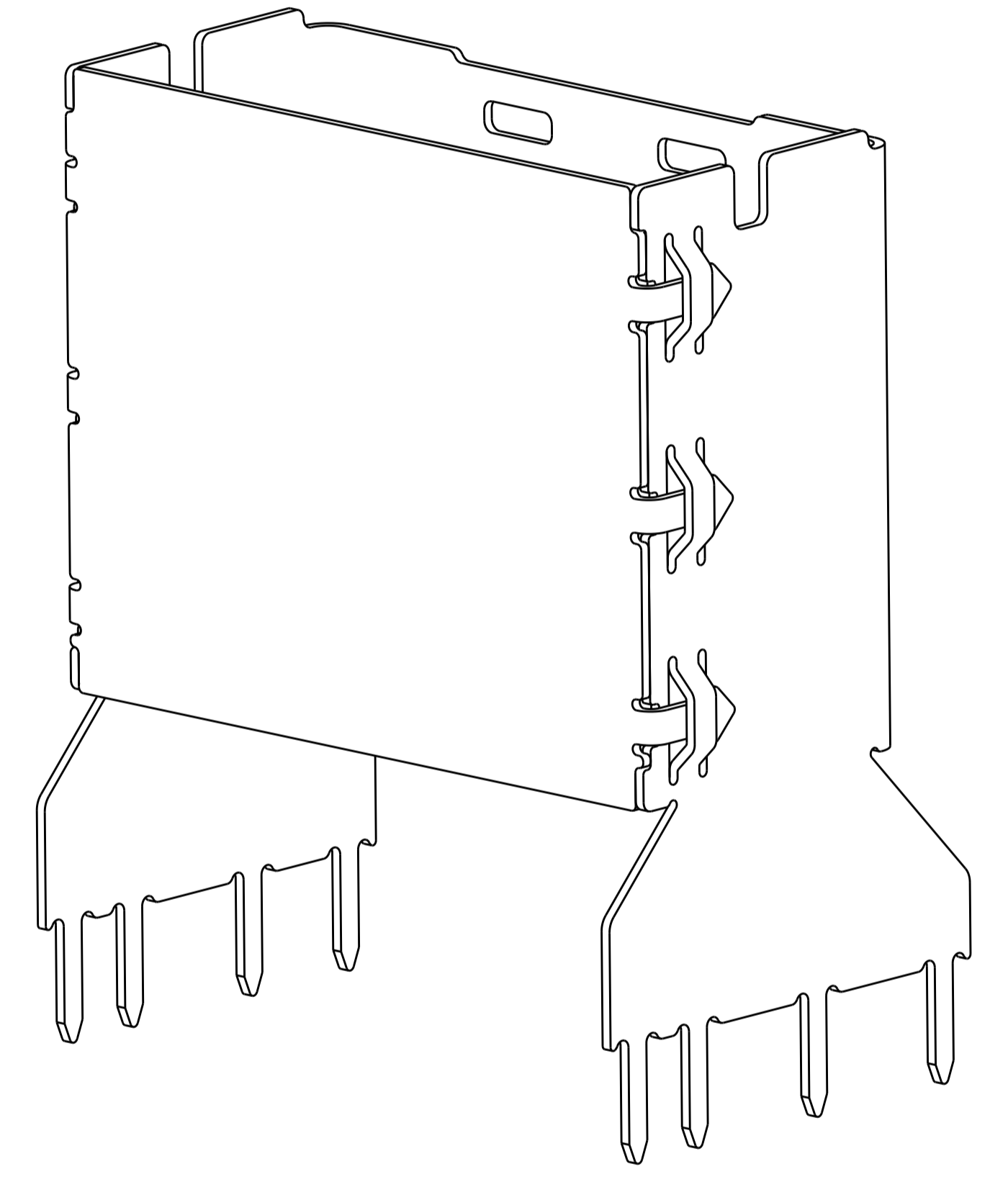
- ⚠ MATERIAL: NICKEL-SILVER PER ASTM B 122.
- 2. SHELL ASSEMBLY TO BE USED WITH THE SURFACE MOUNT RECEPTACLE CONNECTOR PART NUMBER REFERENCED IN TABLE.
- ⚠ DATUM AND BASIC DIMENSION ESTABLISHED BY CUSTOMER.



8X (0.25)
 ⊕ 0.1 M R S T ⊙



8X (0.6)
 ⊕ 0.1 M R S T ⊙

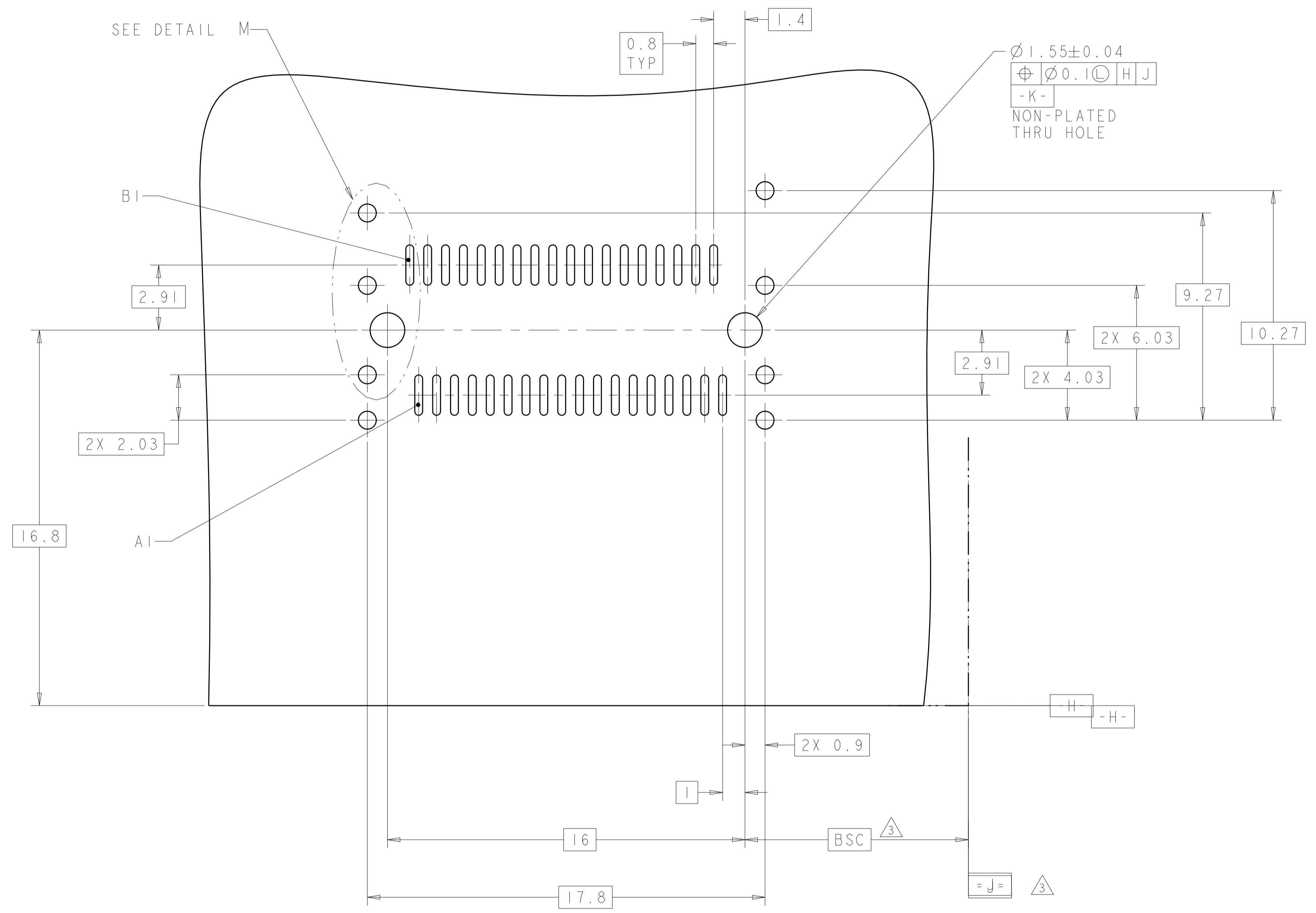


1-1888864-1
 SCALE 8:1

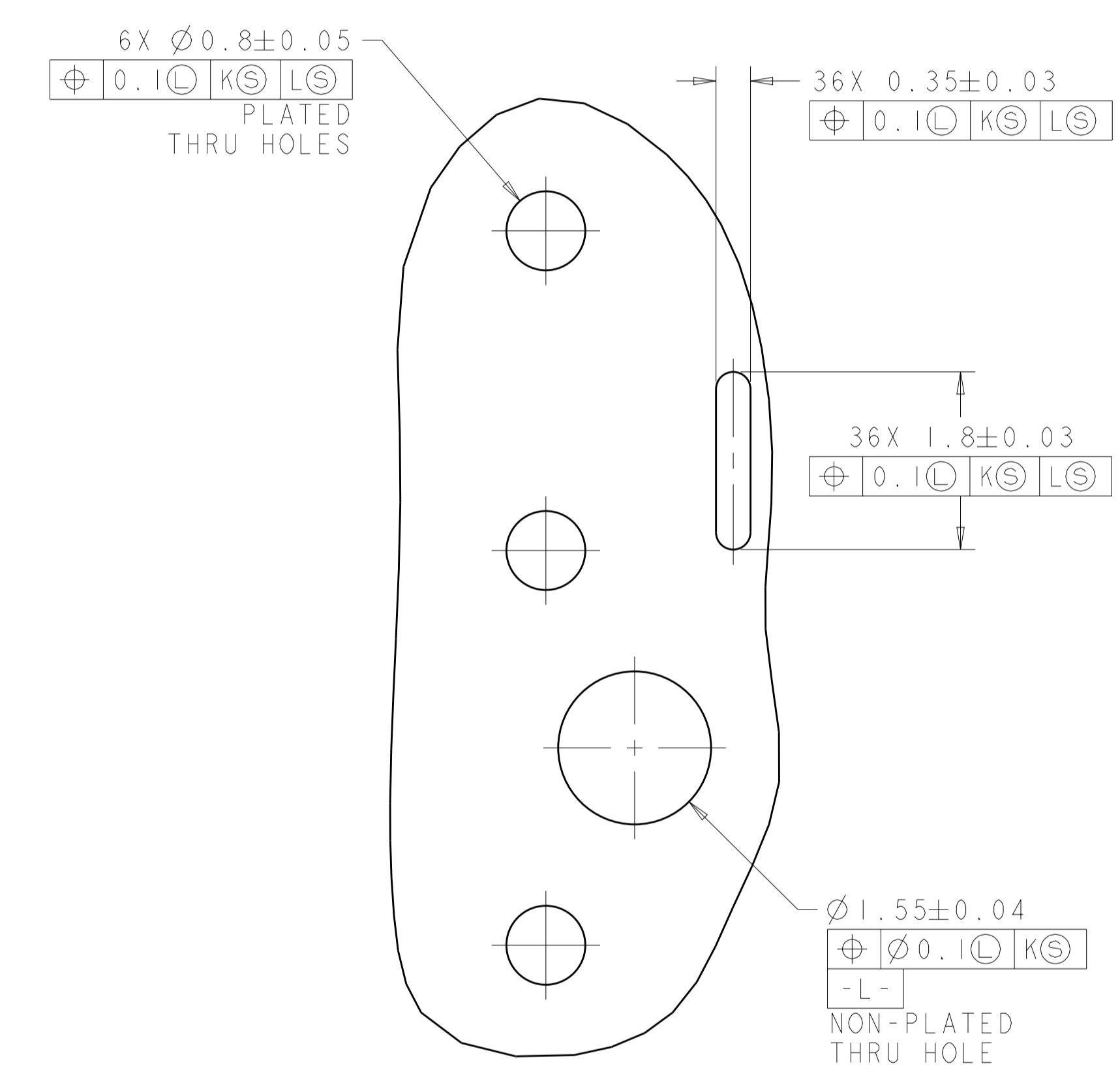
2.00	1888020-2	36	2-1888864-0
3.50	1888020-2	36	1-1888864-2
2.80	1888020-2	36	1-1888864-1
DIM A	CONNECTOR PART NUMBER	POSN	PART NUMBER

THIS DRAWING IS A CONTROLLED DOCUMENT.		DWN B. MCMASTER 22JAN07	STE TE Connectivity	
DIMENSIONS: mm		CHK D. GORENC 22JAN07		
TOLERANCES UNLESS OTHERWISE SPECIFIED:		APVD D. GORENC 22JAN07	NAME EVERCLEAR Mini-SAS INTERNAL SHELL ASSEMBLY, VERTICAL, RECEPTACLE, UNKEYED	
0 PLC ±		PRODUCT SPEC 108-2234	SIZE CAGE CODE DRAWING NO RESTRICTED TO	
1 PLC ±0.1		APPLICATION SPEC	A100779C=1888864	
2 PLC ±		WEIGHT	SCALE 10:1 SHEET 1 OF 2 REV A2	
3 PLC ±		CUSTOMER DRAWING		
4 PLC ±				
ANGLES ±				
FINISH				

REVISIONS				
P.	LTN	DESCRIPTION	DATE	APVD
-	-	SEE SHEET 1	-	-



RECOMMENDED PCB LAYOUT
 SCALE 8:1



DETAIL M
 SCALE 20:1

THIS DRAWING IS A CONTROLLED DOCUMENT.		DWN B. MCMASTER 22JAN07	TE Connectivity
DIMENSIONS: mm		CHK D. GORENC 22JAN07	
TOLERANCES UNLESS OTHERWISE SPECIFIED:		APVD D. GORENC 22JAN07	NAME EVERCLEAR Mini-SAS INTERNAL SHELL ASSEMBLY, VERTICAL, RECEPTACLE, UNKEYED
0 PLC ±		PRODUCT SPEC 108-2234	
1 PLC ±0.1		APPLICATION SPEC	SIZE CAGE CODE DRAWING NO. RESTRICTED TO A100779C=1888864
2 PLC ±		WEIGHT	
3 PLC ±		CUSTOMER DRAWING	SCALE 10:1 SHEET 2 OF 2 REV A2
4 PLC ±			
ANGLES ±			
FINISH			
MATERIAL TBD			