

4

3

2

1

THIS DRAWING IS UNPUBLISHED. RELEASED FOR PUBLICATION 20
 © COPYRIGHT 20 BY - ALL RIGHTS RESERVED.

REVISIONS				
P	LTR	DESCRIPTION	DATE	APVD
A4		REVISED PER ECR-09-013820	17JUL2009	HMR DD
A5		REVISED PER ECR-16-015337	03NOV2016	RK ASM

NOTES:

- MATERIAL:
 HOUSING - PBT, UL94-V0, COLOR BLACK(2008552-2 & -3) OR
 PBT, UL94-V0, COLOR GRAY(1-2008552-2)
 CONTACTS - PHOSPHOR BRONZE
 0.35 MM STOCK THICKNESS
- PLATING:
 CONTACTS - PRE PLATED TIN OVER NICKEL
- WIRE SIZE: 18 AWG SOLID
 2.2 MM MAX INSULATION DIAMETER
 9.5±1.0 MM INSULATION STRIP LENGTH

△ SUPERSEDED BY P/N 1-2008552-2.

PCB LAYOUT
 VIEWED FROM CONNECTOR SIDE
 SCALE 4:1

SCALE 2:1

WIDTH OF SOLDER TAIL

BOARDLOCK REMOVED FROM VIEW FOR CLARITY

BOARDLOCK
 1.25±0.05

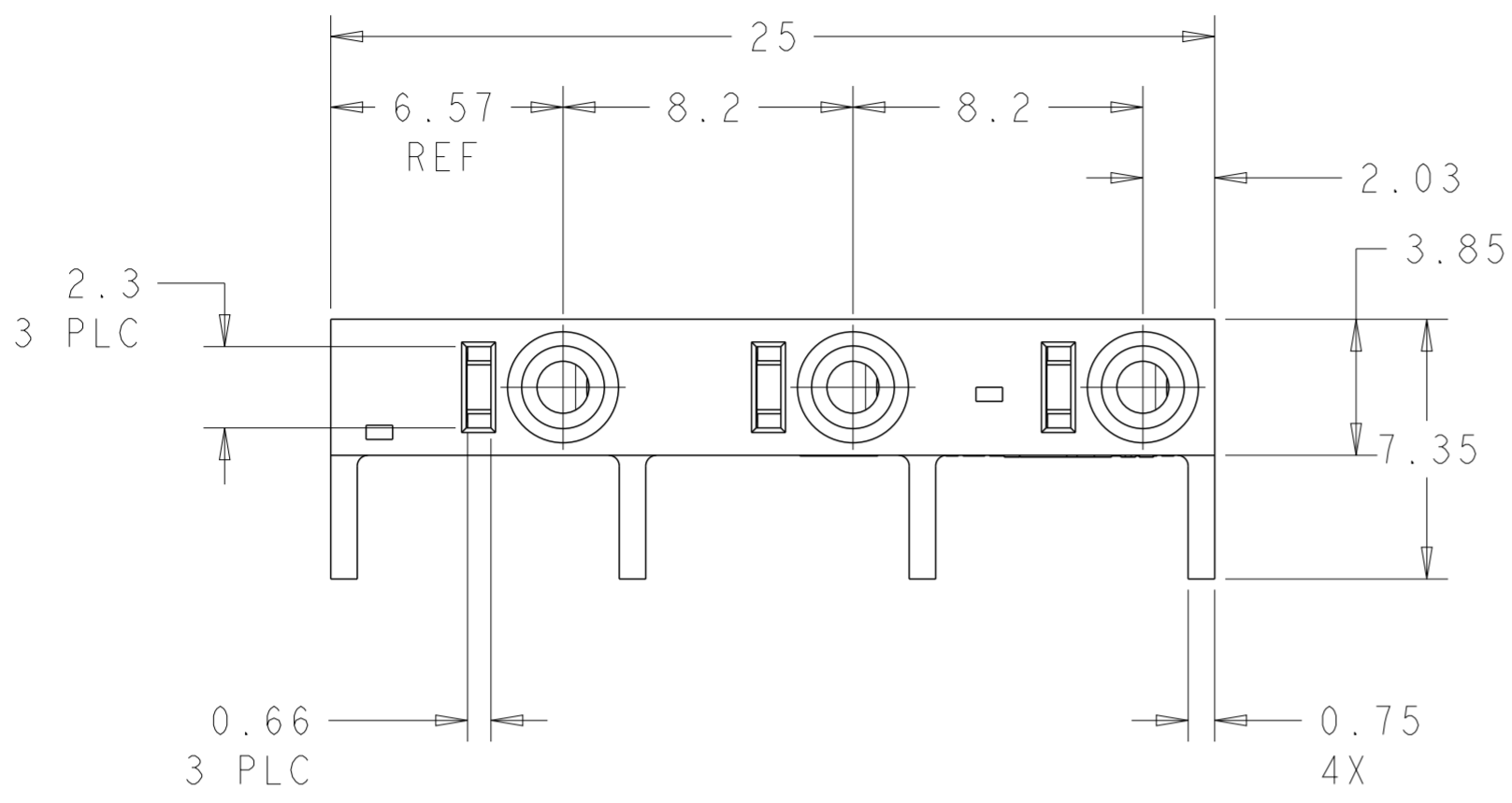
△ OBSOLETE	GRAY	2 POSITION CONNECTOR	1-2008552-2
	BLACK	2 POSITION CONNECTOR	2008552-2
	HOUSING COLOR	DESCRIPTION	PART NO

THIS DRAWING IS A CONTROLLED DOCUMENT.		DWN S FISHER 12OCT2007	TE Connectivity		
DIMENSIONS: mm		CHK S HORST 12OCT2007			
TOLERANCES UNLESS OTHERWISE SPECIFIED:		APVD - 12OCT2007			
0 PLC ± 1 PLC ±0.5 2 PLC ±0.13 3 PLC ±0.013 4 PLC ±0.0001 ANGLES ± FINISH -		PRODUCT SPEC 108-2059-1	NAME ASSEMBLY, WIRE CONNECTOR IN-LINE VERTICAL SCREWLESS		
MATERIAL -		APPLICATION SPEC 114-13223	SIZE A2	CAGE CODE 00779	DRAWING NO C-2008552
		WEIGHT -	RESTRICTED TO -		
		CUSTOMER DRAWING	SCALE 3:1	SHEET 1 OF 2	REV A5

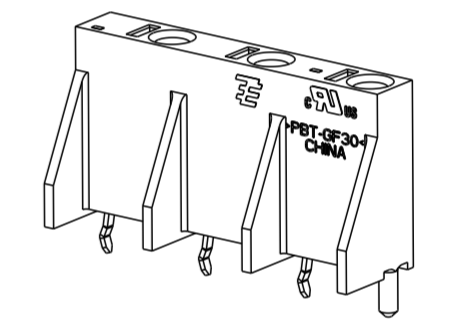
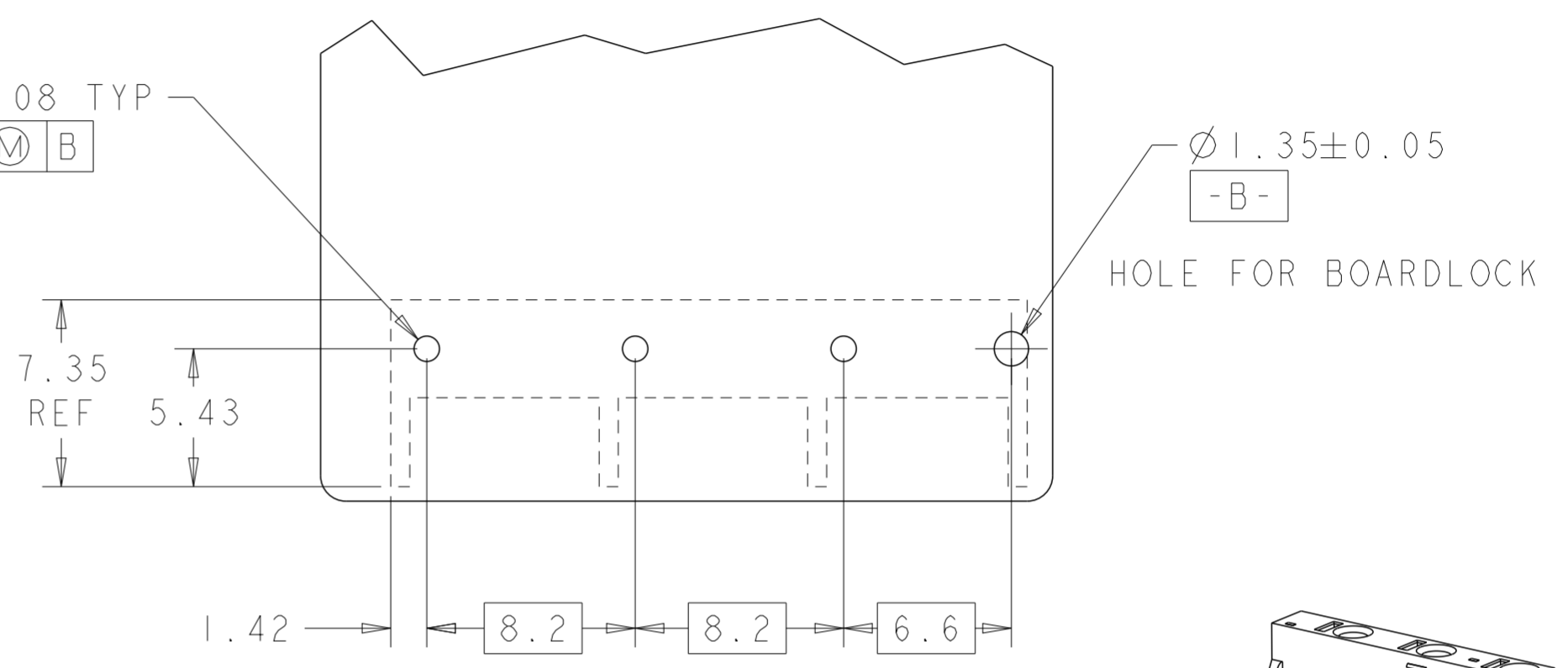
1471-9 (3/13)

THIS DRAWING IS UNPUBLISHED. RELEASED FOR PUBLICATION 20
 © COPYRIGHT 20 BY - ALL RIGHTS RESERVED.

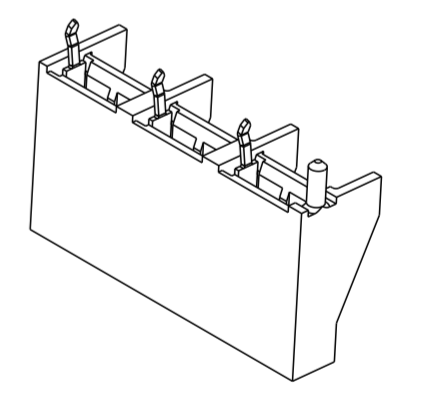
REVISIONS				
P	LTR	DESCRIPTION	DATE	APVD
-	-	SEE SHEET 1	-	-



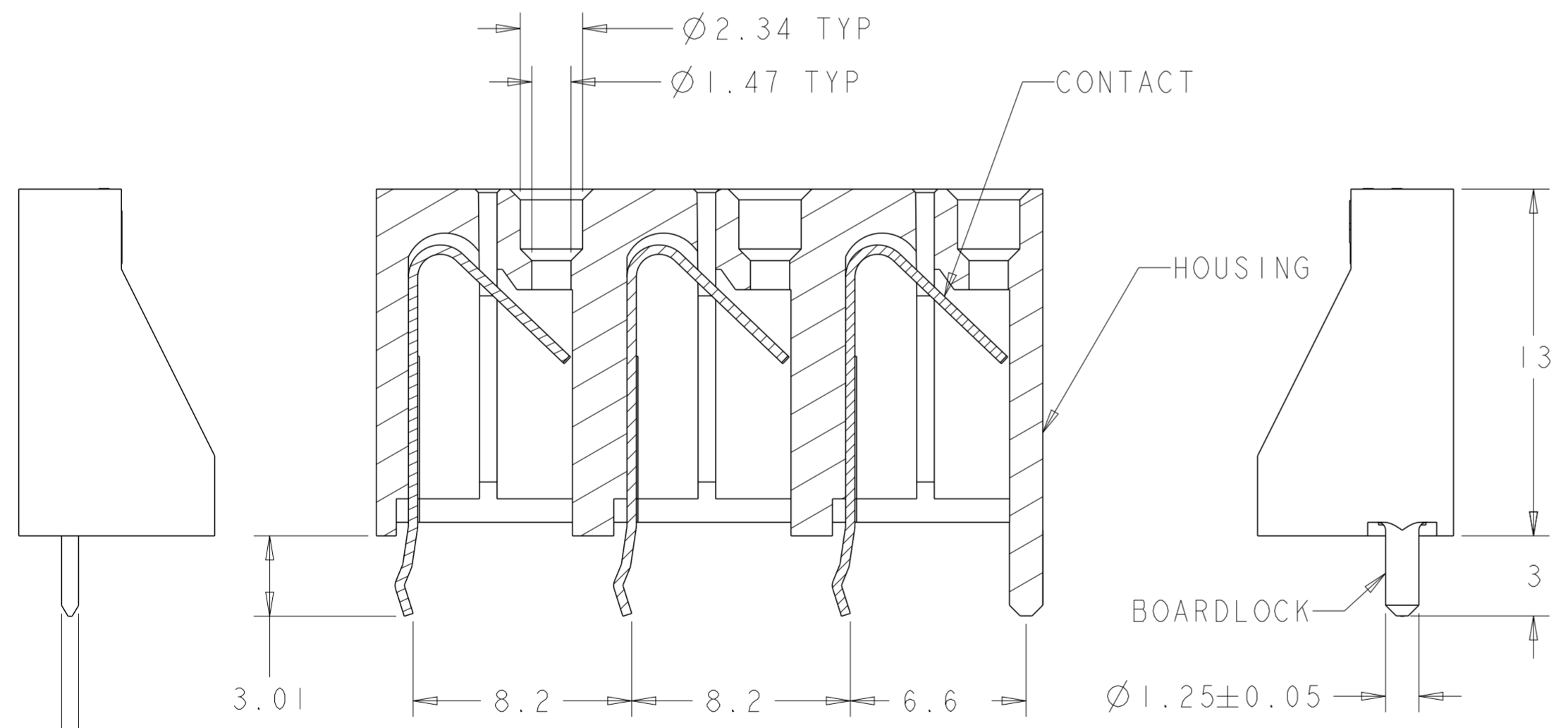
$\varnothing 1 \pm 0.08$ TYP
 $\varnothing 0.1 \text{ M B}$



SCALE 4:1



SCALE 2:1



WIDTH OF SOLDER TAIL
 BOARDLOCK REMOVED
 FROM VIEW FOR CLARITY

SECTION Z-Z

THIS DRAWING IS A CONTROLLED DOCUMENT.		DWN S FISHER 12OCT2007
DIMENSIONS: mm		CHK S HORST 12OCT2007
TOLERANCES UNLESS OTHERWISE SPECIFIED:		APVD - 12OCT2007
0 PLC	±	PRODUCT SPEC
1 PLC	±0.5	108-2059-1
2 PLC	±0.13	APPLICATION SPEC
3 PLC	±0.013	114-13223
4 PLC	±0.0001	WEIGHT -
ANGLES	±	CUSTOMER DRAWING
FINISH	-	SCALE 3:1
MATERIAL	-	SHEET 2 OF 2
		REV A5

3 POSITION CONNECTOR		2008552-3	
DESCRIPTION		PART NO	
		TE Connectivity	
NAME		ASSEMBLY, WIRE CONNECTOR IN-LINE VERTICAL SCREWLESS	
SIZE	CAGE CODE	DRAWING NO	RESTRICTED TO
A2	00779	C-2008552	-