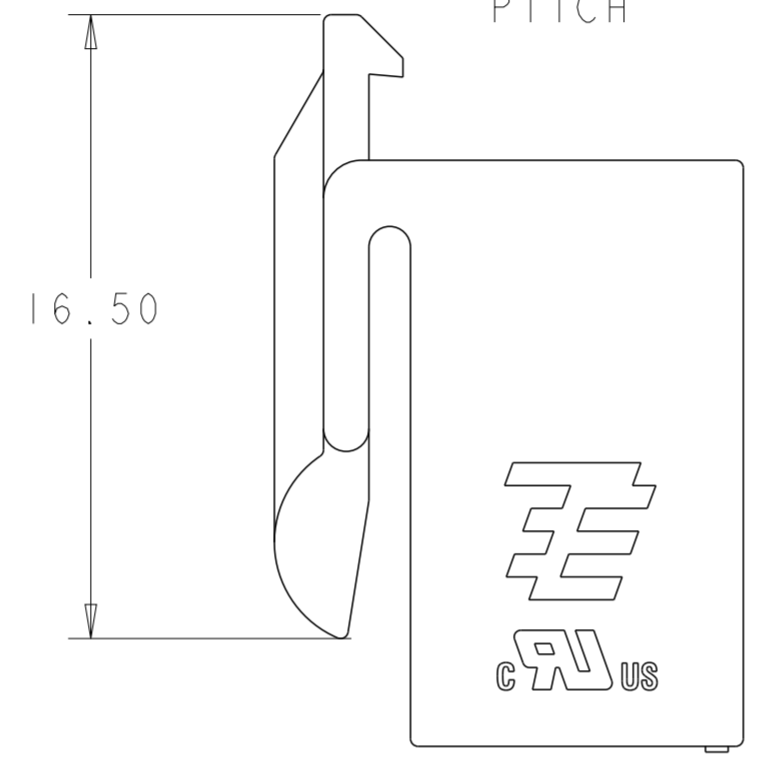
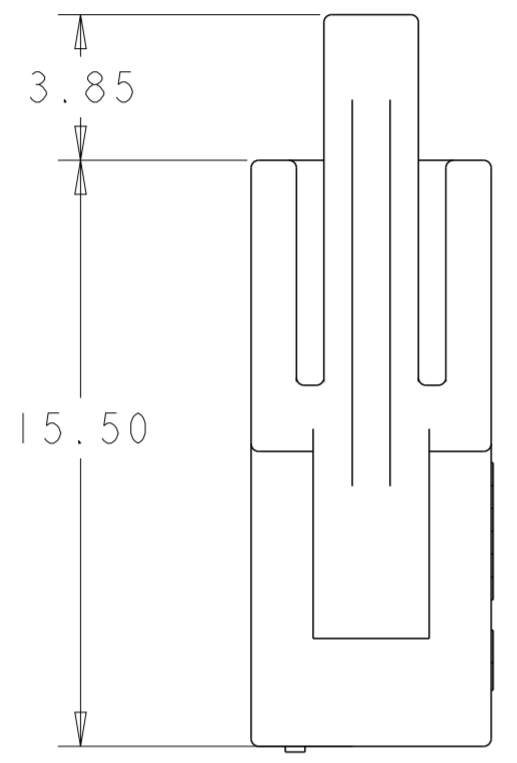
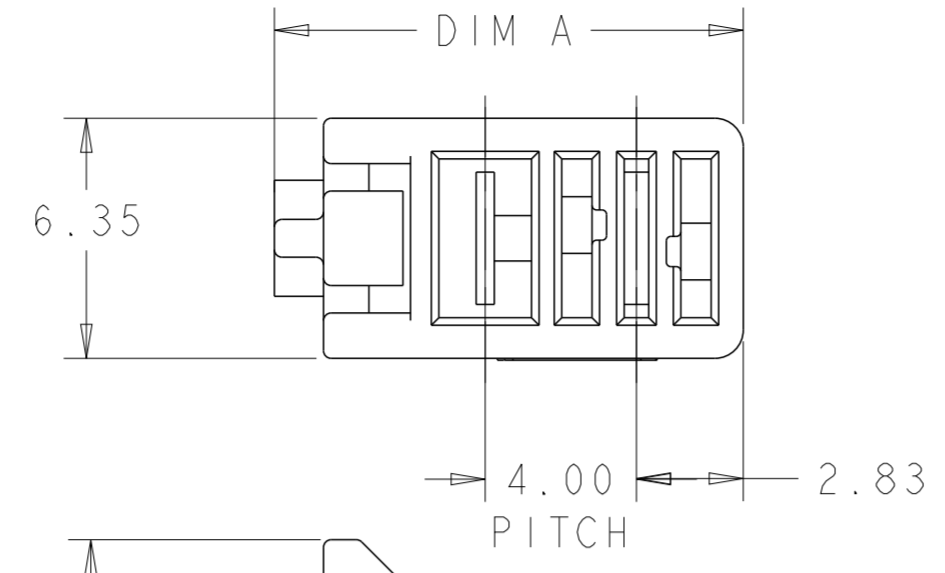


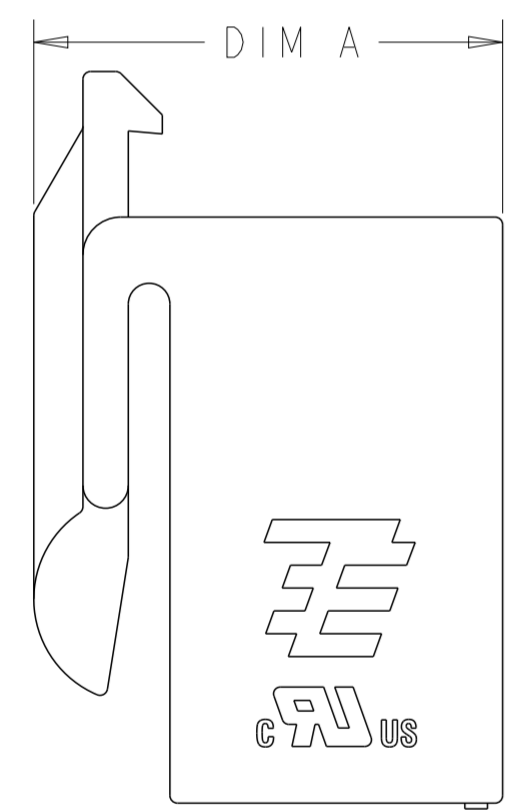
THIS DRAWING IS UNPUBLISHED. RELEASED FOR PUBLICATION 20
 © COPYRIGHT 20 BY - ALL RIGHTS RESERVED.

| REVISIONS | | | | |
|-----------|-----|---------------------------|-----------|--------|
| P | LTR | DESCRIPTION | DATE | APVD |
| A | | REVISED PER ECR-09-011972 | 22OCT2009 | HMR DD |
| AI | | REVISED PER ECR-15-012862 | 10SEP2015 | RS DD |

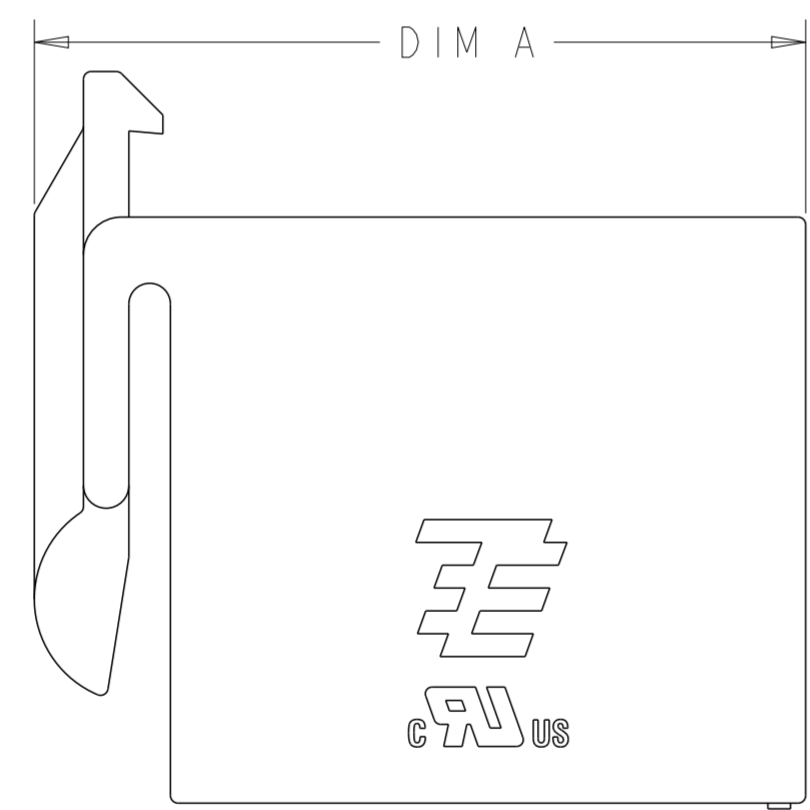


NOTES:

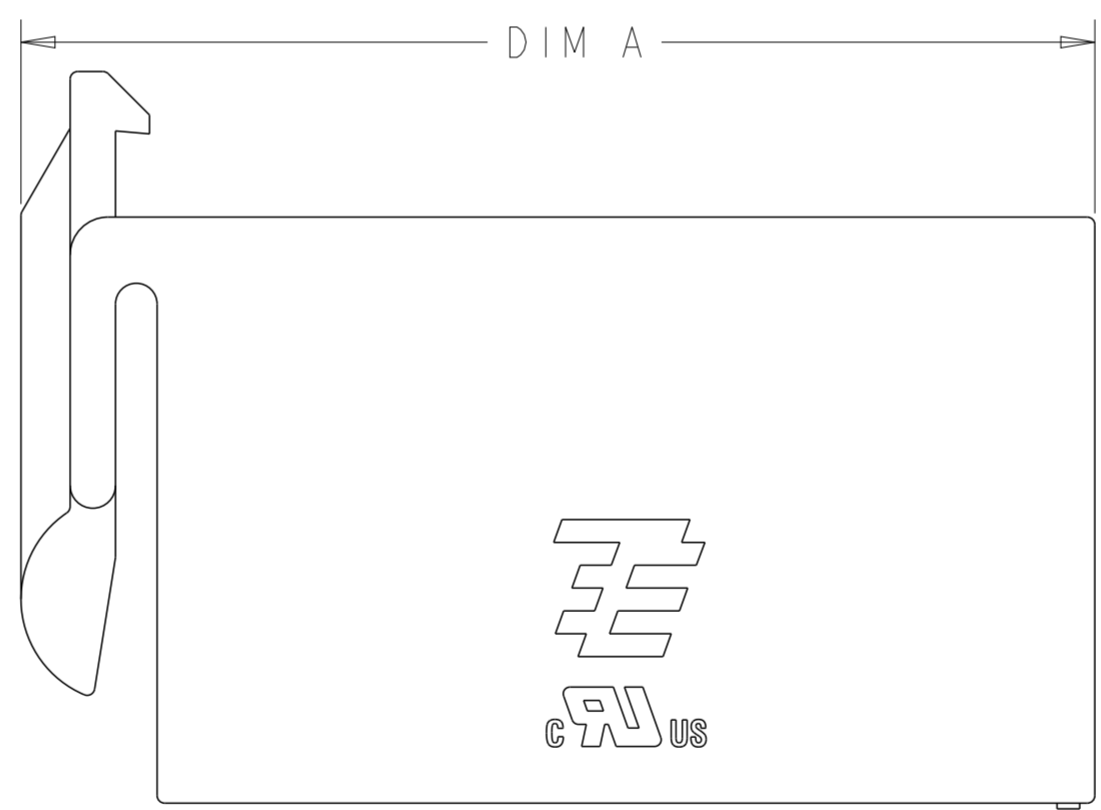
- 1. MATERIAL: PBT, UL 94-VO
- 2. RECOMMENDED TE CONTACT P/N'S 2058301-X, 2058302-X, 2213373-X AND 2213374-X.



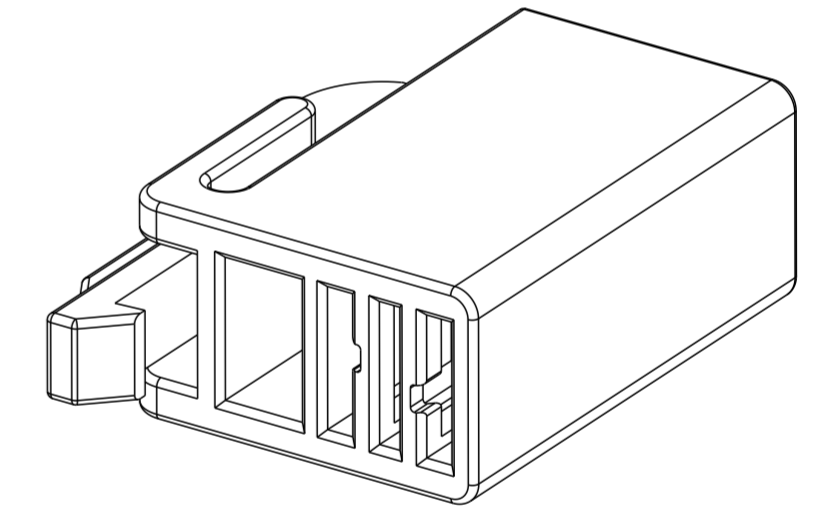
2058299-1/
1-2058299-1



2058299-2/
1-2058299-2



2058299-3/
1-2058299-3



2058299-1/
1-2058299-1
SHOWN

| POSITION | COLOR | DIM A | PART NO. |
|----------|---------|-------|-------------|
| 6 | BLACK | 28.40 | 1-2058299-3 |
| 4 | BLACK | 20.40 | 1-2058299-2 |
| 2 | BLACK | 12.40 | 1-2058299-1 |
| 6 | NATURAL | 28.40 | 2058299-3 |
| 4 | NATURAL | 20.40 | 2058299-2 |
| 2 | NATURAL | 12.40 | 2058299-1 |

| | | | | |
|--|--|-------------------------------|--|-------------------------|
| THIS DRAWING IS A CONTROLLED DOCUMENT. | | DWN S FISHER 07MAY2008 | TE Connectivity | |
| | | CHK R NARANG 07MAY2008 | | |
| DIMENSIONS: mm [INCH] | TOLERANCES UNLESS OTHERWISE SPECIFIED: | APVD - | NAME HOUSING WIRE TO BOARD CONNECTOR | |
| | 0 PLC ± | PRODUCT SPEC 108-2387 | SIZE A2 | |
| | 1 PLC ± | APPLICATION SPEC 114-13252 | CAGE CODE 00779 | DRAWING NO C-2058299 |
| MATERIAL | 2 PLC ±0.13 | WEIGHT - | RESTRICTED TO - | |
| | 3 PLC ± | Customer Drawing | SCALE 5:1 | SHEET 1 OF 1 |
| | 4 PLC ± | | REV AI | |
| | ANGLES ± | | | |
| | FINISH ± | | | |