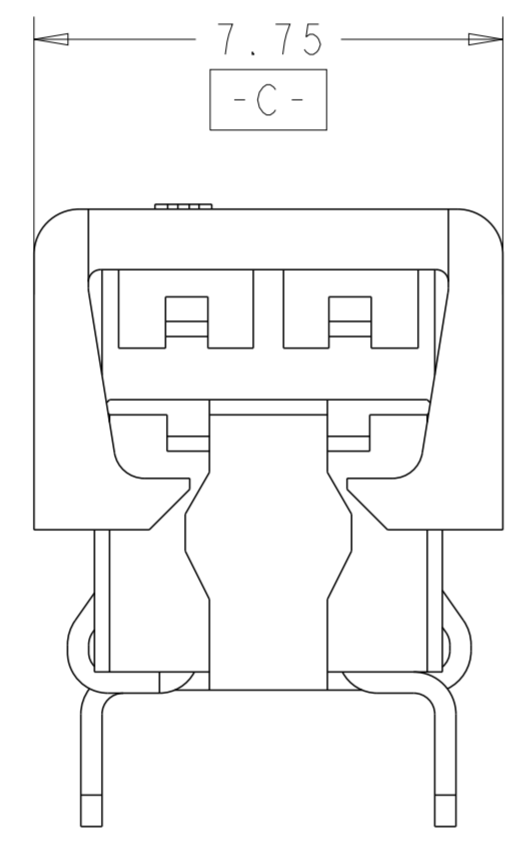


THIS DRAWING IS UNPUBLISHED. RELEASED FOR PUBLICATION 20
 © COPYRIGHT 20 BY - ALL RIGHTS RESERVED.

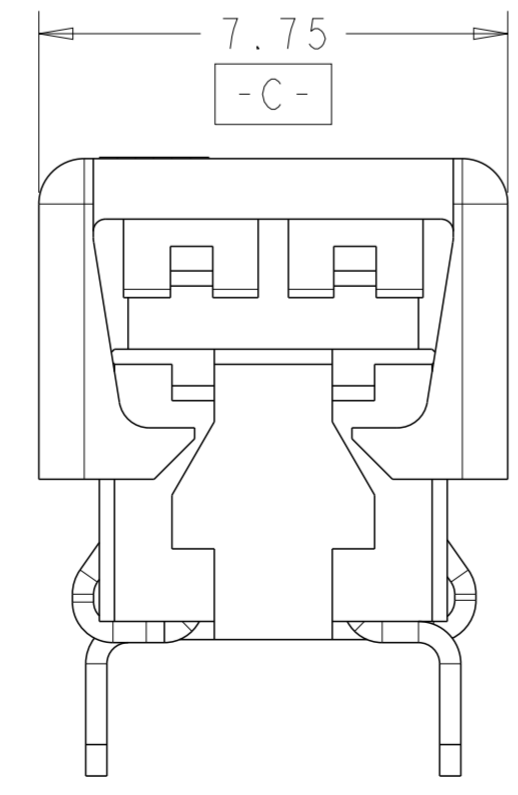
| LOC | | DIST | | REVISIONS | | | |
|-----|-----|-------------|--|---------------------------|-----------|------|----|
| P | LTR | DESCRIPTION | | DATE | DWN | APVD | |
| | | A1 | | REVISED PER ECR-12-003555 | 19APR2012 | RS | DD |
| | | A2 | | REVISED PER ECR-12-016877 | 20OCT2012 | RS | DD |
| | | B | | REVISED PER ECR-15-004054 | 28JUL2015 | RS | DD |
| | | C | | REVISED PER ECR-15-017995 | 18DEC2015 | RS | DD |



2 POSITION SHOWN AS SHIPPED



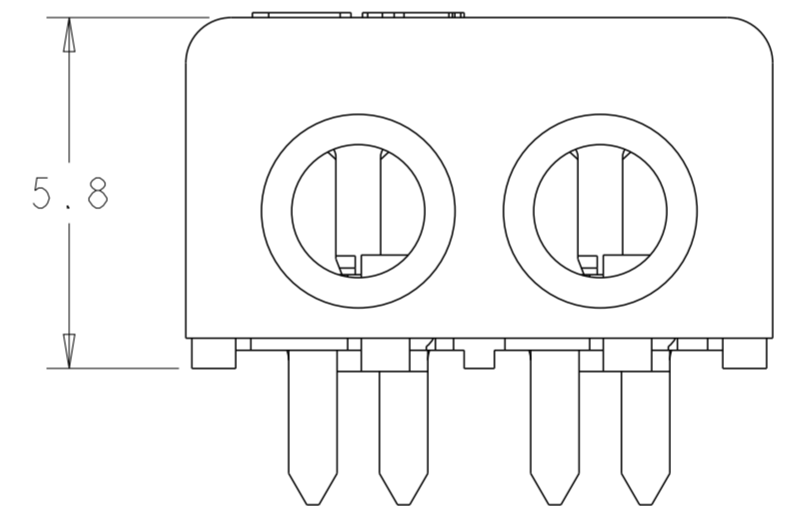
FOR 2, 3 AND 4 POSITIONS



FOR 1 POSITION ONLY

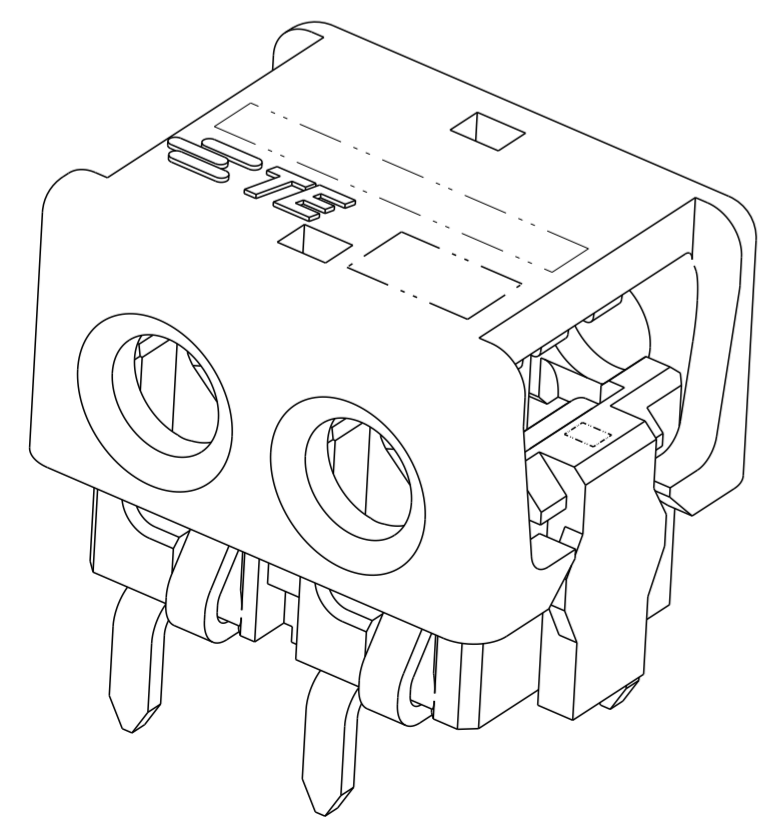
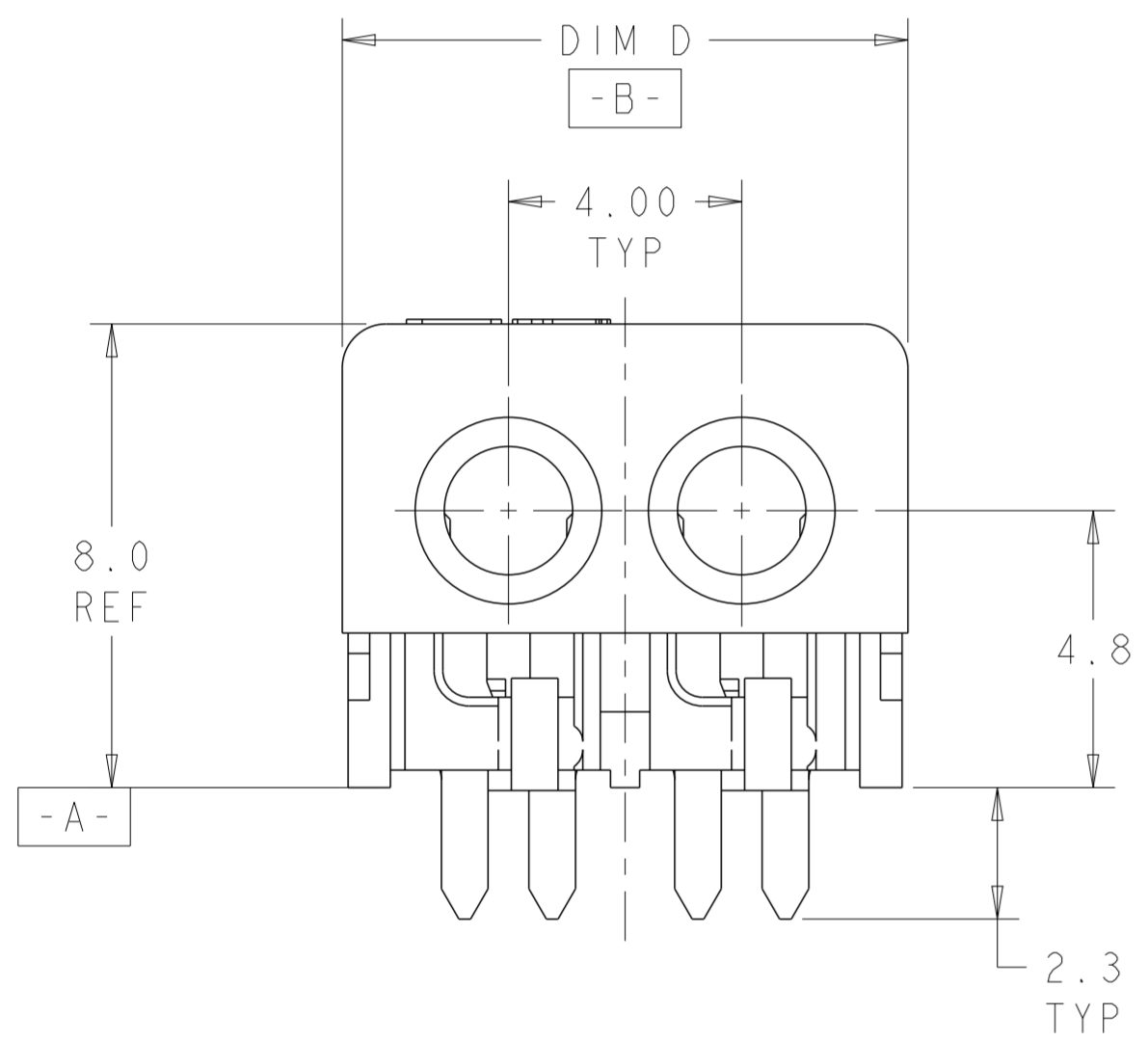
- 1. MATERIALS AND FINISH:
 - HOUSING: LCP, COLOR: NATURAL
 - CONTACTS: COPPER ALLOY, FINISH: Sn OVER Ni
- 2. COMPLY WITH DIRECTIVE 2002/95/EC (ROHS)
- 3. 18-24AWG SOLID OR STRANDED WIRE. PLEASE REFER TO APPLICATION SPEC 114-13266 FOR RECOMMENDED STRAND COUNT.
 - 18 AWG MAX INSULATION OD 2.20
 - 20 AWG MAX INSULATION OD 1.90
 - 22 AWG MAX INSULATION OD 1.70
 - 24 AWG MAX INSULATION OD 1.45
- 4. PACKAGE IN TAPE AND REEL PER EIA-481 SPECIFICATION

- 5. WIRE SIZE MARKING IN APPROXIMATE LOCATION SHOWN.
- 6. COLOR CODE MARKING, STRAIGHT LINE.
- 7. ONE POSITION ASSEMBLY DOES NOT COMPLY WITH EIA 481 SPECIFICATION.



2 POSITION SHOWN CLOSED SCALE 8:1

| COLOR CODE | DIM D | WIRE SIZE | POSN | PART NUMBER |
|------------|-------|-----------|------|-------------|
| RED | 17.70 | 24 AWG | 4 | 3-2106751-4 |
| | 13.70 | 24 AWG | 3 | 3-2106751-3 |
| | 9.70 | 24 AWG | 2 | 3-2106751-2 |
| | 5.70 | 24 AWG | 1 | 3-2106751-1 |
| GREEN | 17.70 | 22 AWG | 4 | 2-2106751-4 |
| | 13.70 | 22 AWG | 3 | 2-2106751-3 |
| | 9.70 | 22 AWG | 2 | 2-2106751-2 |
| | 5.70 | 22 AWG | 1 | 2-2106751-1 |
| BLUE | 17.70 | 20 AWG | 4 | 1-2106751-4 |
| | 13.70 | 20 AWG | 3 | 1-2106751-3 |
| | 9.70 | 20 AWG | 2 | 1-2106751-2 |
| | 5.70 | 20 AWG | 1 | 1-2106751-1 |
| YELLOW | 17.70 | 18 AWG | 4 | 2106751-4 |
| | 13.70 | 18 AWG | 3 | 2106751-3 |
| | 9.70 | 18 AWG | 2 | 2106751-2 |
| | 5.70 | 18 AWG | 1 | 2106751-1 |



THIS DRAWING IS A CONTROLLED DOCUMENT. DWN: WM VAN SCYOC 26AUG2009, CHK: O. OSAGIE 26AUG2009, APVD: -

STE TE Connectivity

ASSEMBLY, IDC SSL CONNECTOR, THROUGH HOLE, PASS THRU

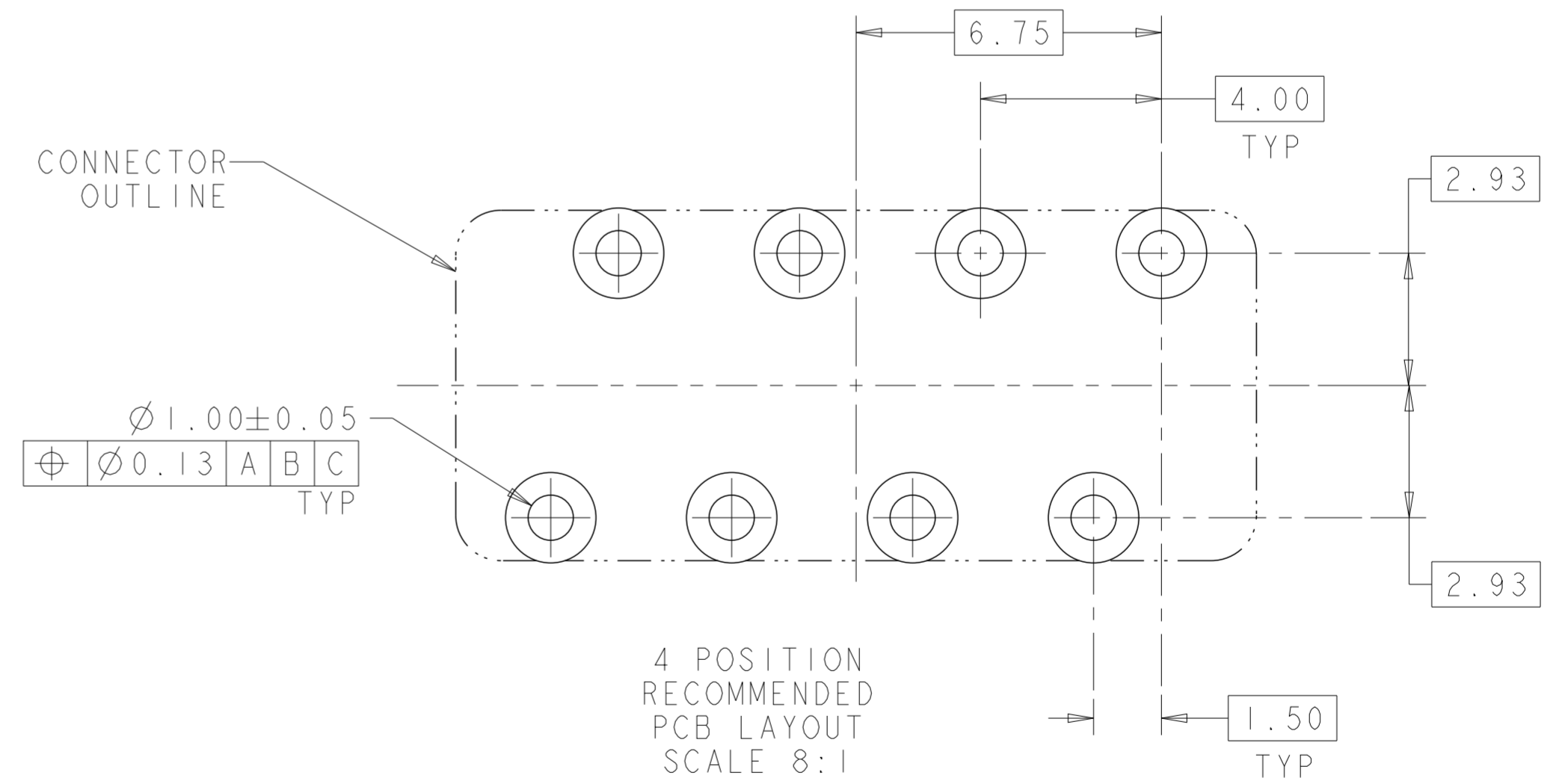
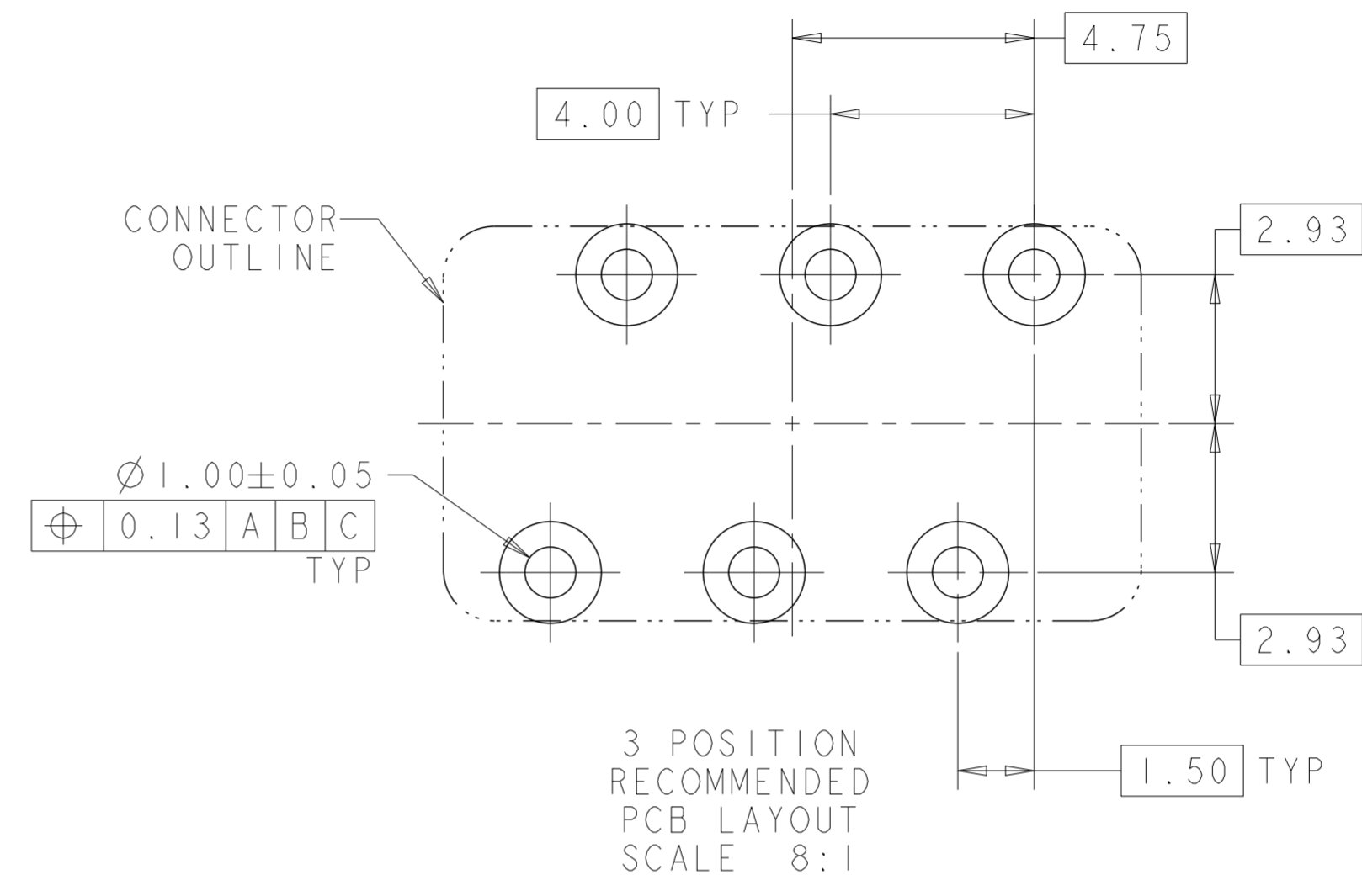
108-2404 APPLICATION SPEC 114-13266

Customer Drawing

SCALE 8:1 SHEET 1 OF 3 REV C

THIS DRAWING IS UNPUBLISHED. RELEASED FOR PUBLICATION 20
 © COPYRIGHT 20 BY - ALL RIGHTS RESERVED.

| LOC | | DIST | | REVISIONS | | | |
|-----|-----|-------------|--|-----------|-----|------|--|
| P | LTR | DESCRIPTION | | DATE | DWN | APVD | |
| - | - | SEE SHEET 1 | | - | - | - | |
| | | | | | | | |
| | | | | | | | |



| | | | | |
|----------------------------------------|------------------------------------------------------------|-------------------------------|-----------------------------------------------------------|--------------------|
| THIS DRAWING IS A CONTROLLED DOCUMENT. | | DWN 26AUG2009 WM VAN SCYOC | STE TE Connectivity | |
| | | CHK 26AUG2009 O OSAGIE | | |
| DIMENSIONS: | TOLERANCES UNLESS OTHERWISE SPECIFIED: | APVD - | NAME ASSEMBLY, IDC SSL CONNECTOR, THROUGH HOLE, PASS THRU | |
| mm | 0 PLC ± 1 PLC ±0.5 2 PLC ±0.13 3 PLC ± 4 PLC ± | PRODUCT SPEC 108-2404 | SIZE CAGE CODE DRAWING NO | |
| | ANGLES ± | APPLICATION SPEC 114-13266 | A200779 C-2106751 | |
| MATERIAL | FINISH | WEIGHT - | RESTRICTED TO | |
| material_2 | finish_spec_2 | Customer Drawing | SCALE 8:1 | SHEET 1 OF 3 REV C |