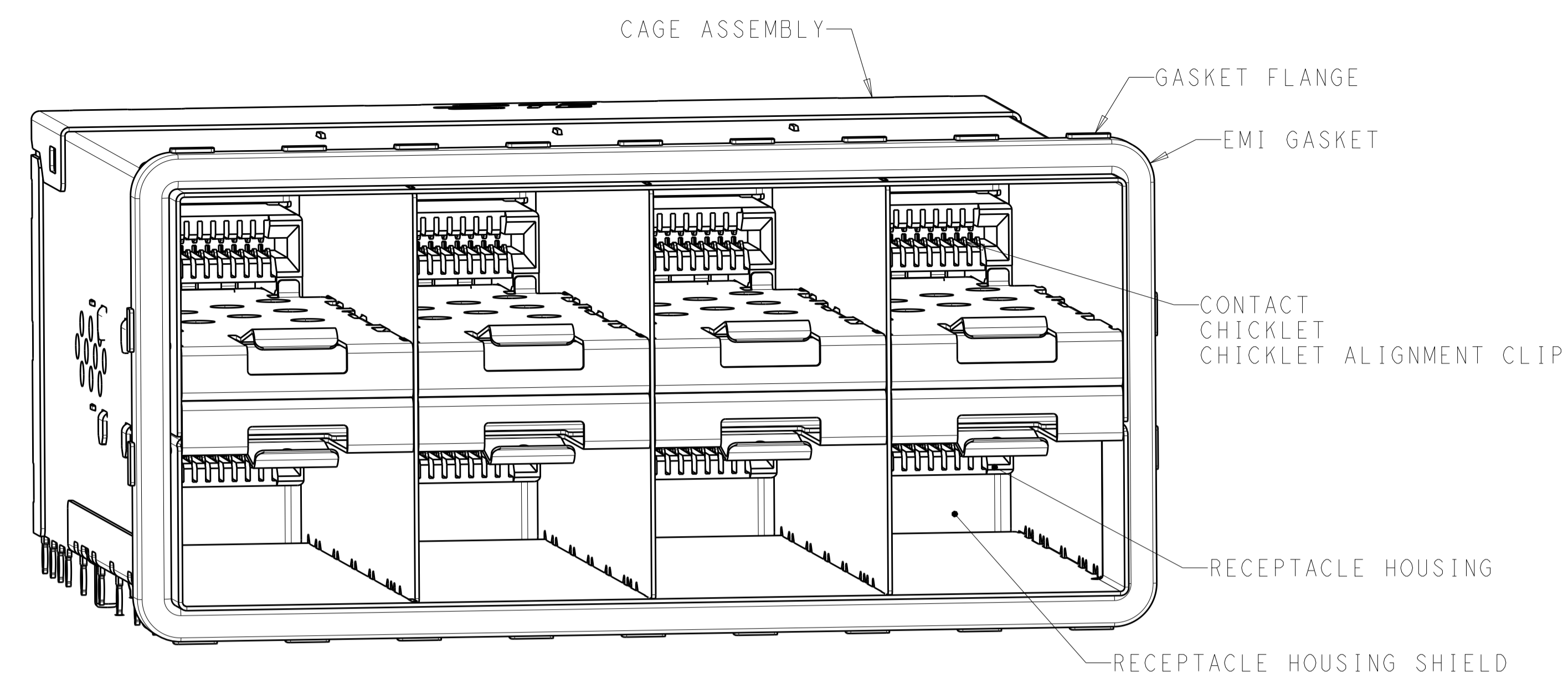
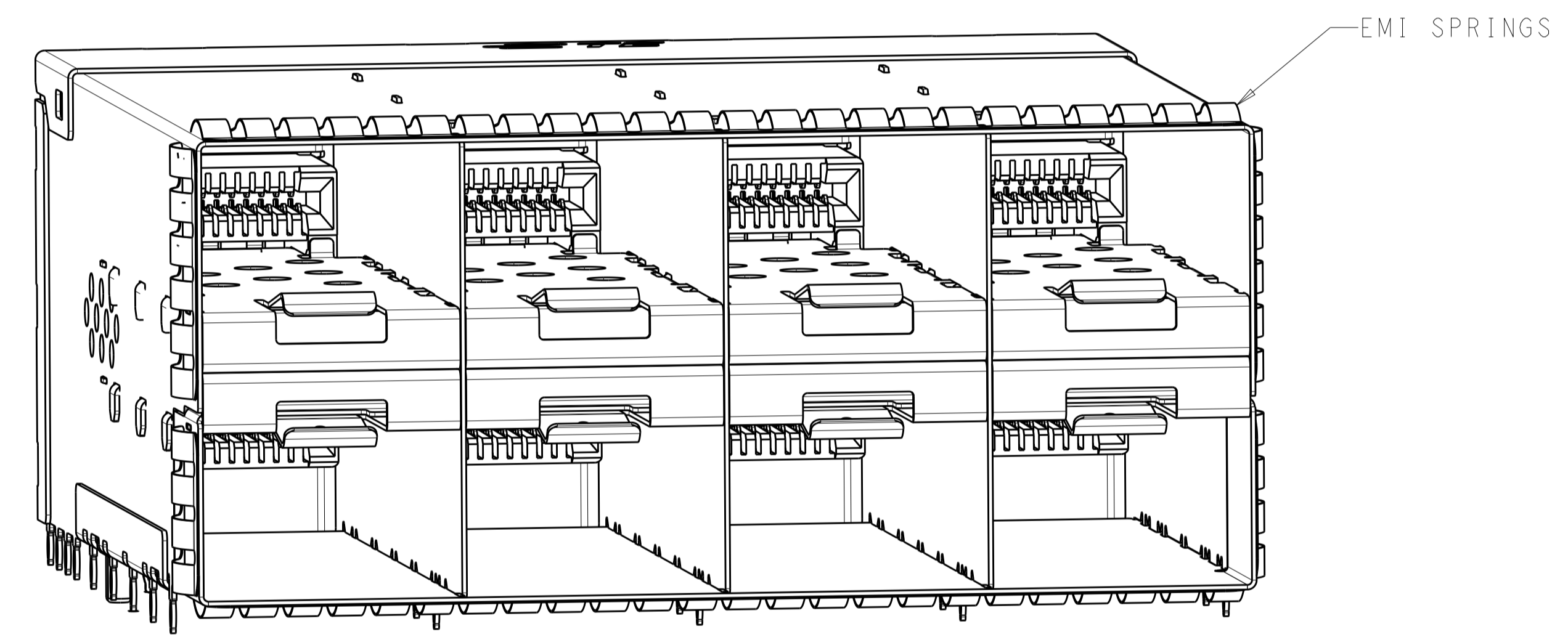


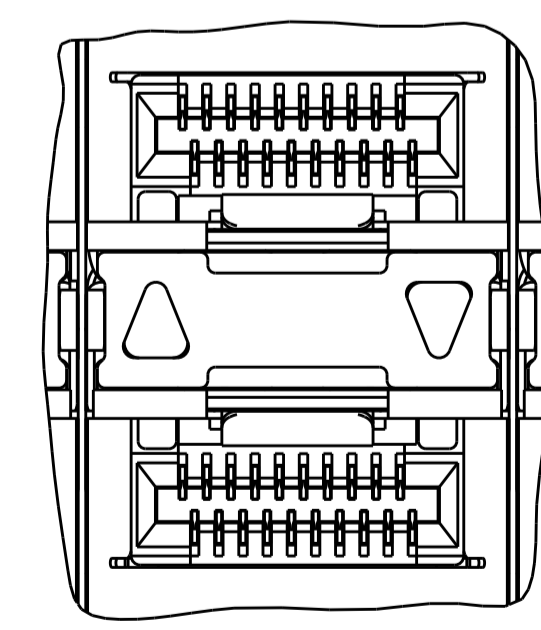
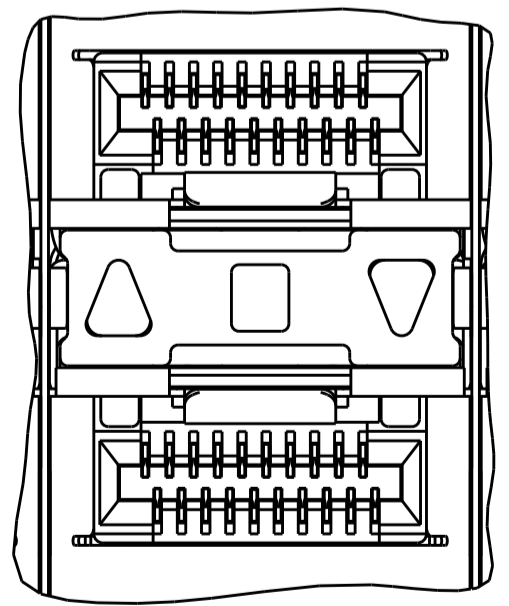
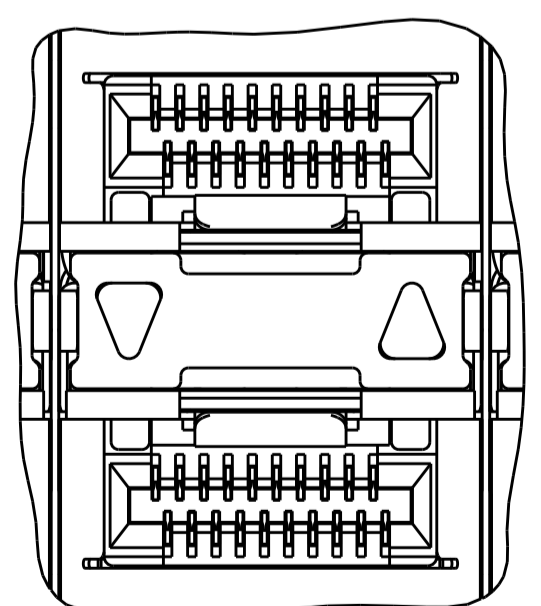
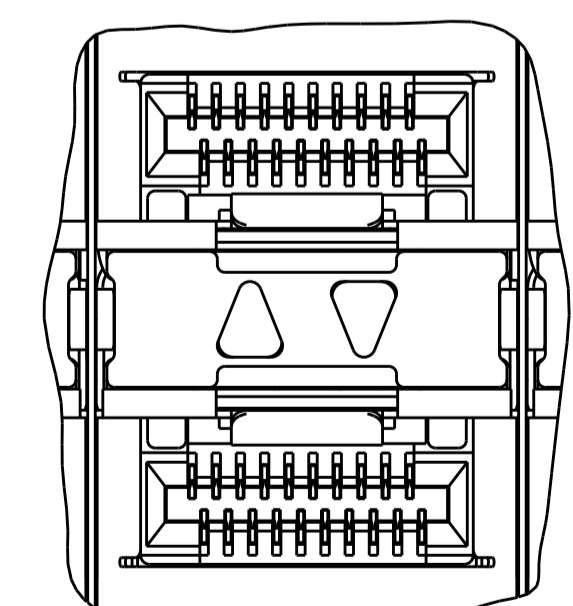
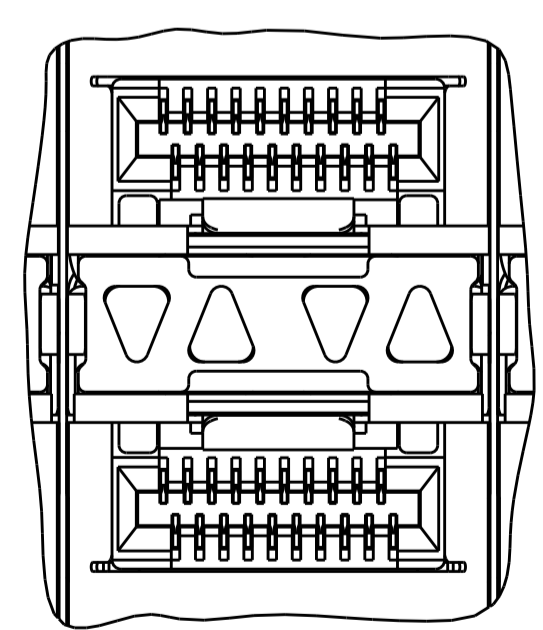
LOC	DIST	REVISIONS			
P	LTN	DESCRIPTION	DATE	DMN	APVD
A		RELEASED PER ECO-14-008758	12JUN2014	CJV	PAR
B		REVISED PER ECO-15-010819	10AUG2015	PP	SH
C		REVISED PER ECO-16-004263	18MAR2016	KQ	SH
C1		REVISED PER ECO-16-013892	11JUL2016	PP	SH



2180324-1
SCALE 4:1



2180324-5
SCALE 4:1



INNER/OUTER LIGHT PIPES
2180324-2, 2180324-6
SCALE 4:1

INNER LIGHT PIPES
2180324-3, 2180324-7
SCALE 4:1

OUTER LIGHT PIPES
2180324-4, 2180324-8
SCALE 4:1

CENTER/REVERSED OUTER
1-2180324-7, 1-2180324-9
SCALE 4:1

REVERSED OUTER LIGHT PIPES
1-2180324-8, 2-2180324-0
SCALE 4:1

- MATERIALS:
CAGE ASSEMBLY - NICKEL-SILVER ALLOY PER ASTM B 122
CONNECTOR HOUSING - LCP, BLACK, UL 94V-0 RATED
CONNECTOR HOUSING SHIELD - COPPER ALLOY
CHICKLET - LCP, BLACK, UL 94V-0 RATED
CHICKLET ALIGNMENT CLIP - PBT
CONTACT - COPPER ALLOY
EMI GASKET - ELASTOMERIC
GASKET FLANGE - STAINLESS STEEL
EMI SPRINGS - PHOSPHOR BRONZE PER ASTM B 103,
0.8µm MIN TIN PER ASTM B 545
LIGHT PIPE - POLYCARBONATE
LIGHT PIPE HOUSING - ZINC ALLOY
 - CONTACT FINISH:
CONFORMS TO THE REQUIREMENTS OF PRODUCT SPECIFICATION 108-2481,
BASED ON EIA/ECA-364-1000.01A, (CONTROLLED ENVIRONMENT
APPLICATIONS) ON MATING INTERFACE, TIN ON NEEDLE EYE
 - PCB MINIMUM THICKNESS = 1.5mm
- △ FOR HOLE SIZE AND PLATINGS,
SEE APPLICATION SPECIFICATION 114-13319
- △ LIGHT PIPE PAD LAYOUT IS FOR 0805 LOW PROFILE
LED PACKAGE WITH A HEIGHT OF 0.8mm
- △ DIMENSIONS APPLY FOR EMI SPRINGS ONLY
- △ THE ENTIRE AREA OF THE CONNECTOR FOOTPRINT, INDICATED BY THE
DASHED LINE, TO BE CONSIDERED THE KEEPOUT AREA FOR COMPONENTS
AND SIGNAL TRACES, TOP SIDE ONLY, TOP SIDE TRACES ALLOWED
WITHIN CONNECTOR HOLE PATTERN

59.5	EMI SPRING AIRFLOW ENHANCE TYPE	OUTER	3-2180324-3	
59.5	EMI SPRING AIRFLOW ENHANCE TYPE	CENTER/REVERSED OUTER	3-2180324-2	
59.5	EMI SPRING AIRFLOW ENHANCE TYPE	NONE	3-2180324-1	
62.25	EMI GASKET AIRFLOW ENHANCE TYPE	NONE	3-2180324-0	
59.5	EMI SPRINGS	REVERSED OUTER	2-2180324-0	
		CENTER/REVERSED OUTER	1-2180324-9	
62.25	EMI GASKET	REVERSED OUTER	1-2180324-8	
		CENTER/REVERSED OUTER	1-2180324-7	
59.5	EMI SPRINGS	OUTER	2180324-8	
		INNER	2180324-7	
		INNER/OUTER	2180324-6	
62.25	EMI GASKET	NONE	2180324-5	
		OUTER	2180324-4	
		INNER	2180324-3	
		INNER/OUTER	2180324-2	
(E)	CAGE TYPE	NONE	2180324-1	
		LIGHT PIPE CONFIGURATION		PART NUMBER

THIS DRAWING IS A CONTROLLED DOCUMENT.

DMN: M. E. CONNER 14SEP2011
CHK: M. D. MORRISON 16SEP2011
APVD: M. D. MORRISON 25OCT2011

TE Connectivity

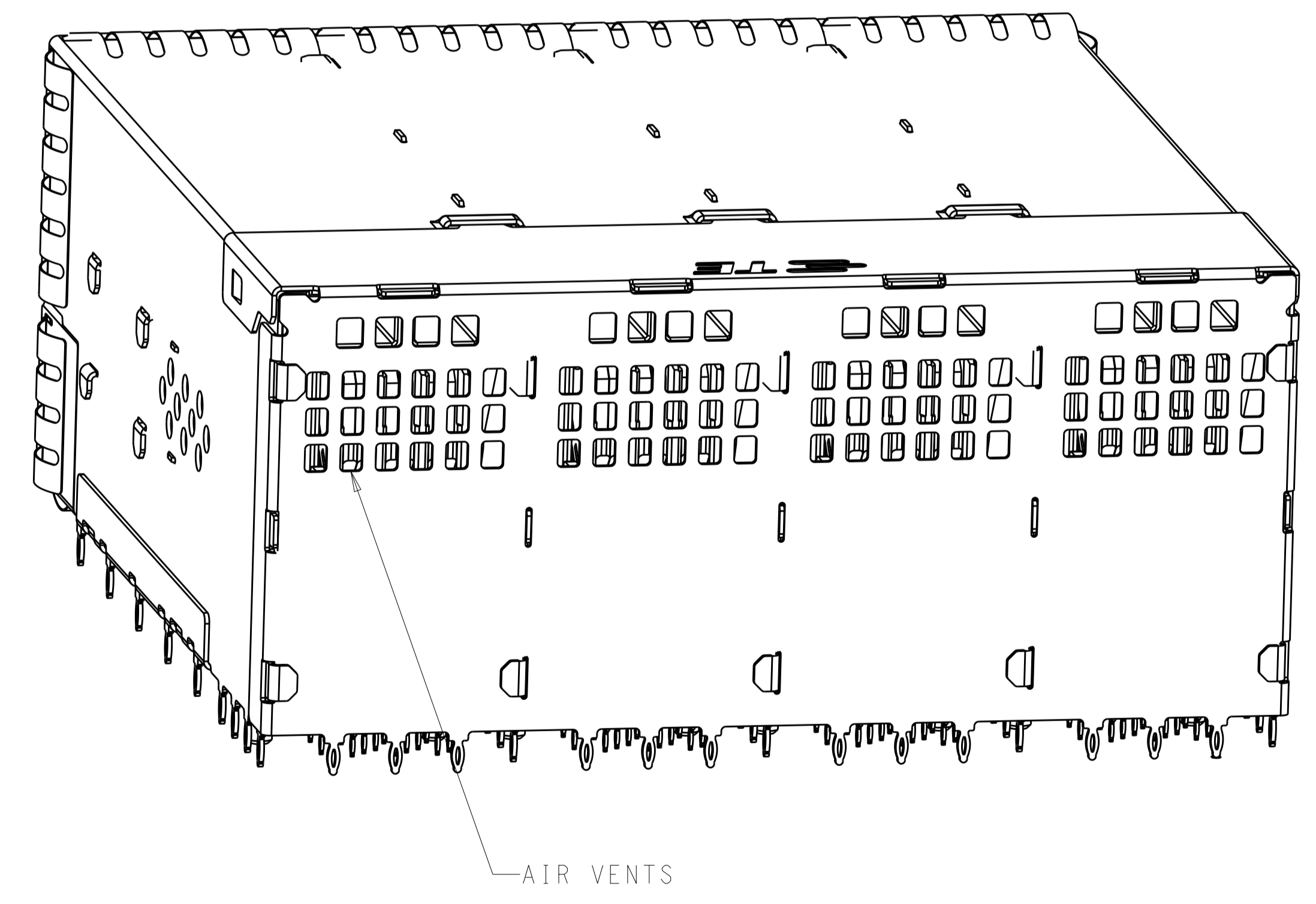
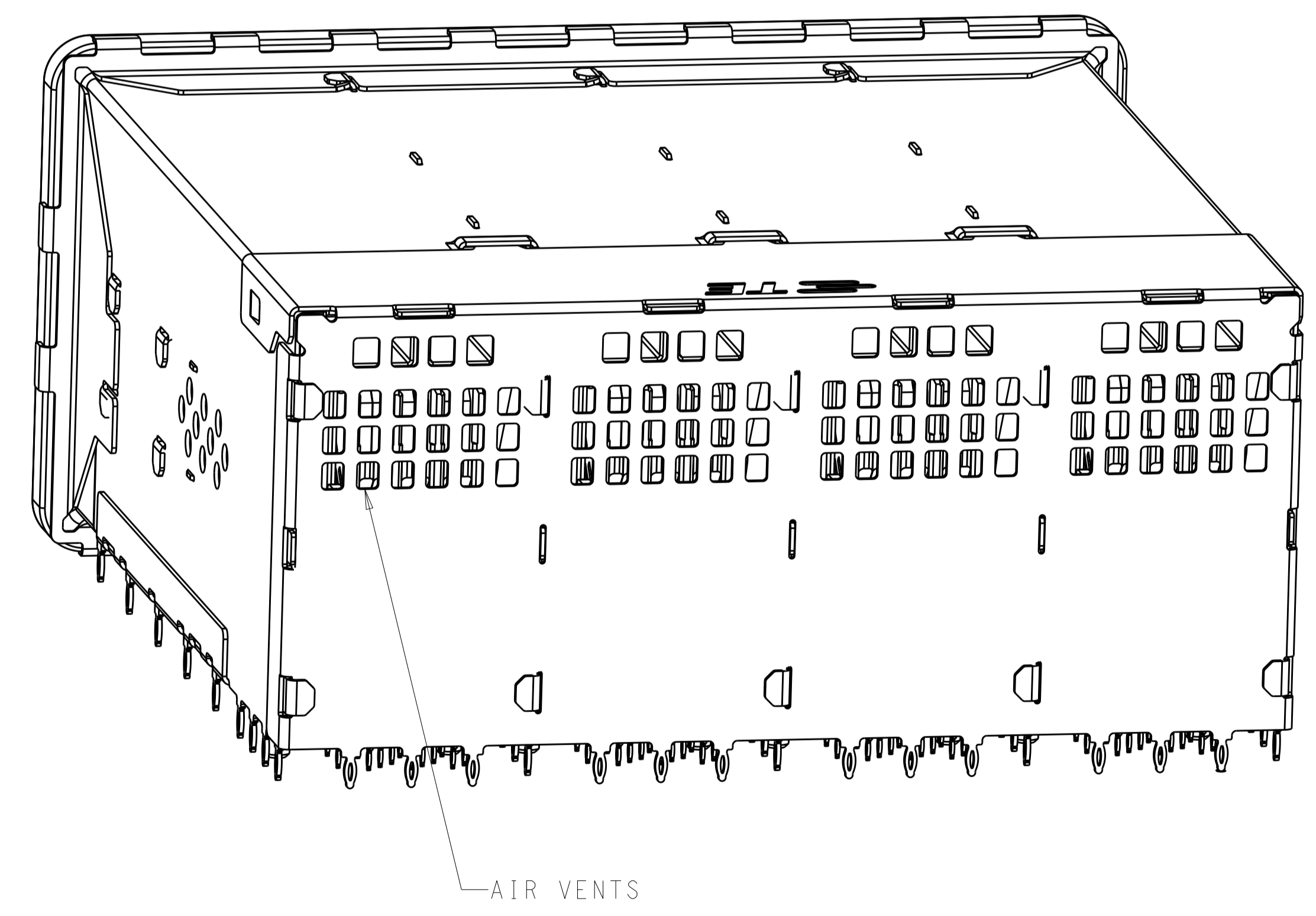
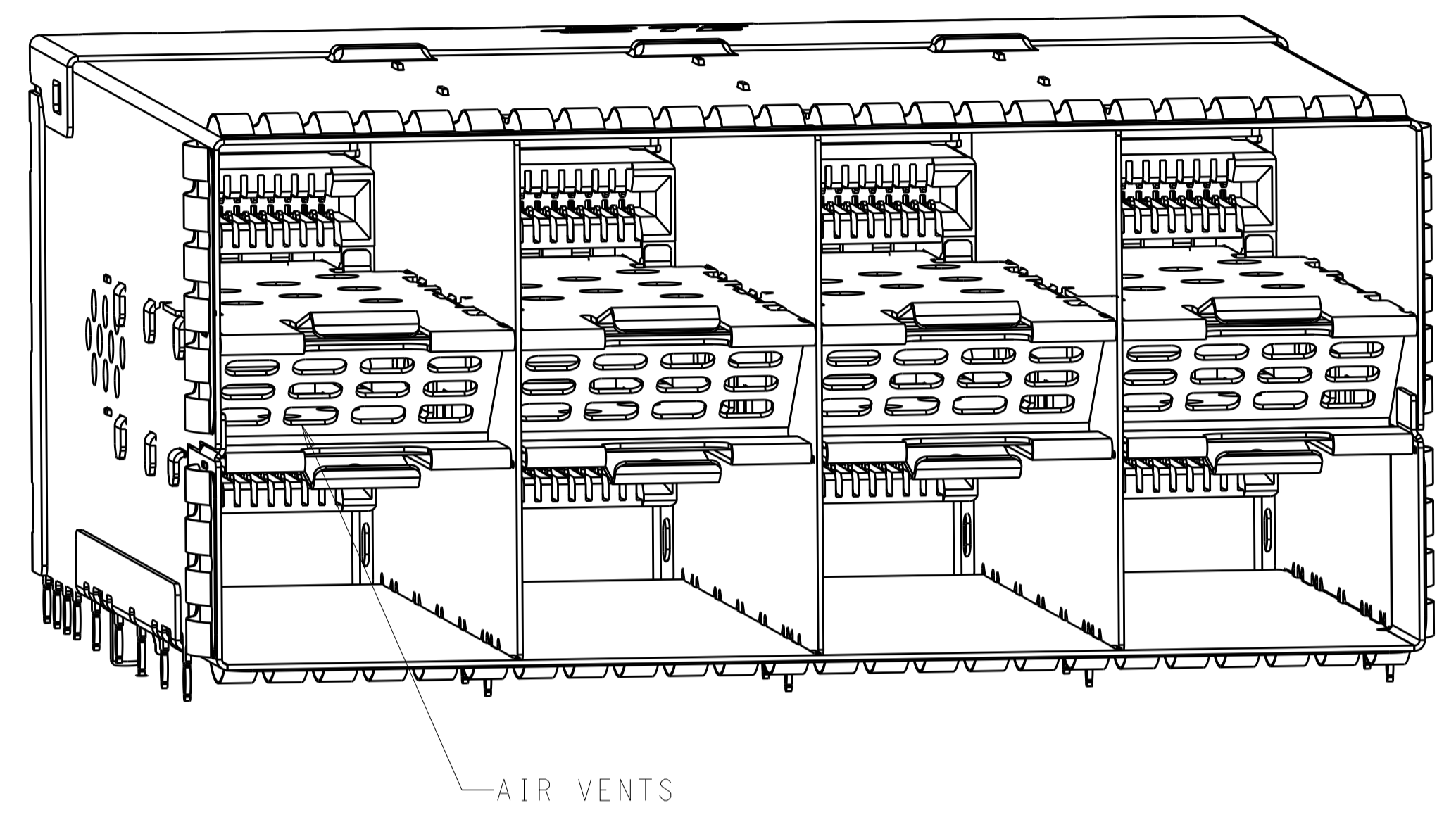
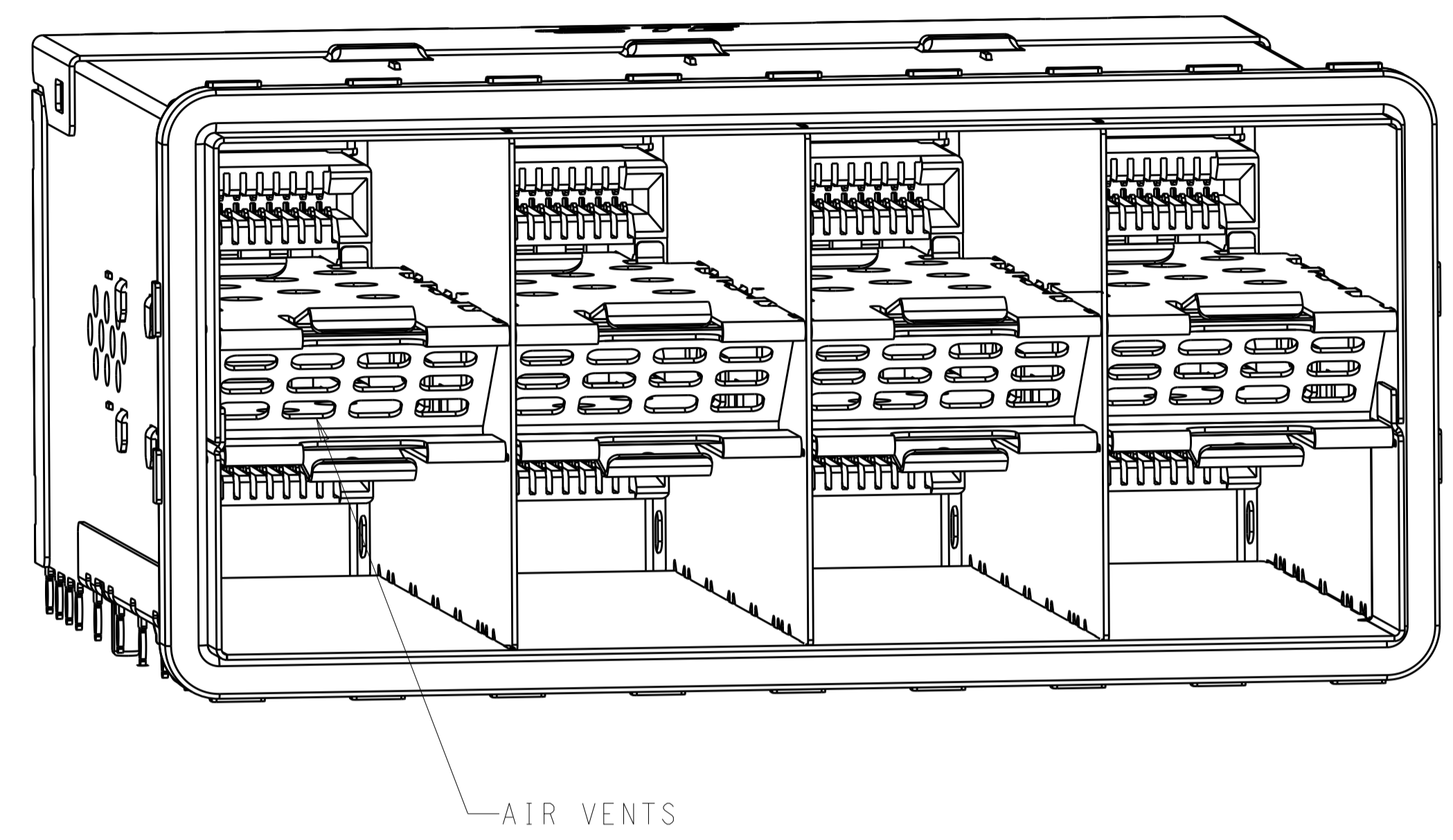
RECEPTACLE ASSEMBLY, 2X4,
STACKED, zSFP+

SIZE: A1 00779 C=2180324

SCALE: 2:1 SHEET: 1 OF 7 REV: C1

LOC	DIST	REVISIONS			
P	LTN	DESCRIPTION	DATE	DWN	APVD
-	-	SEE SHEET 1	-	-	-

AIRFLOW ENHANCE W/O LP TYPE



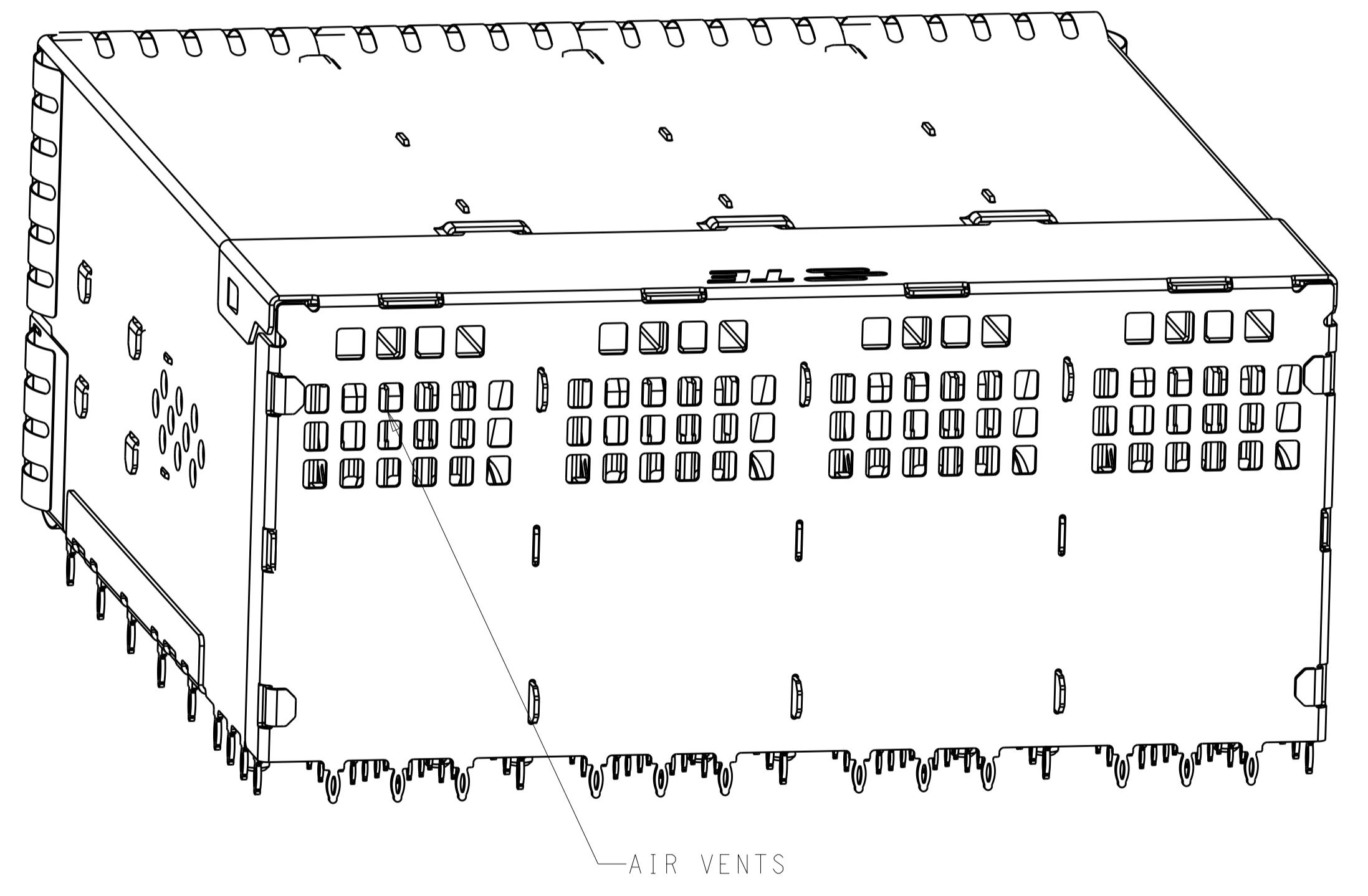
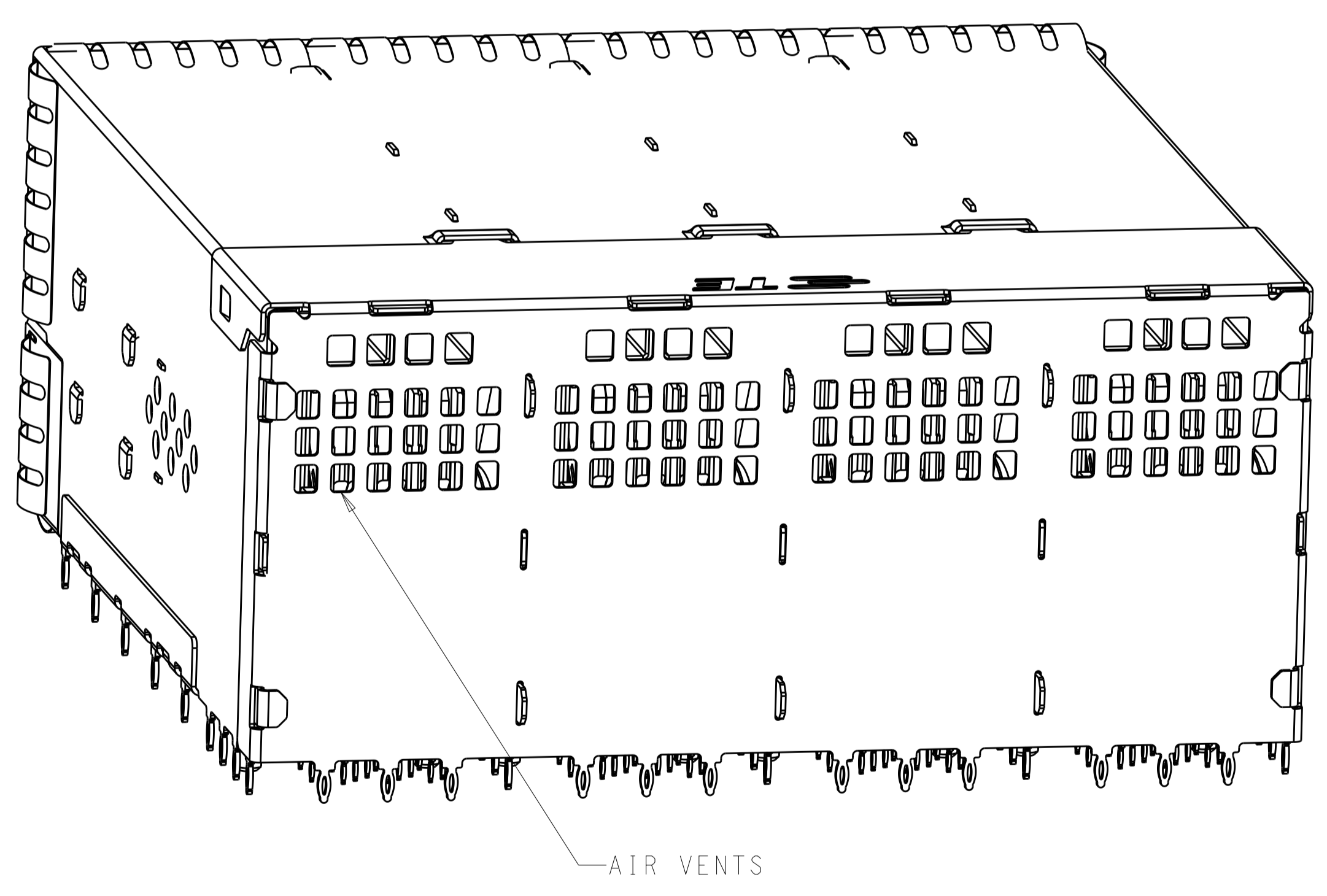
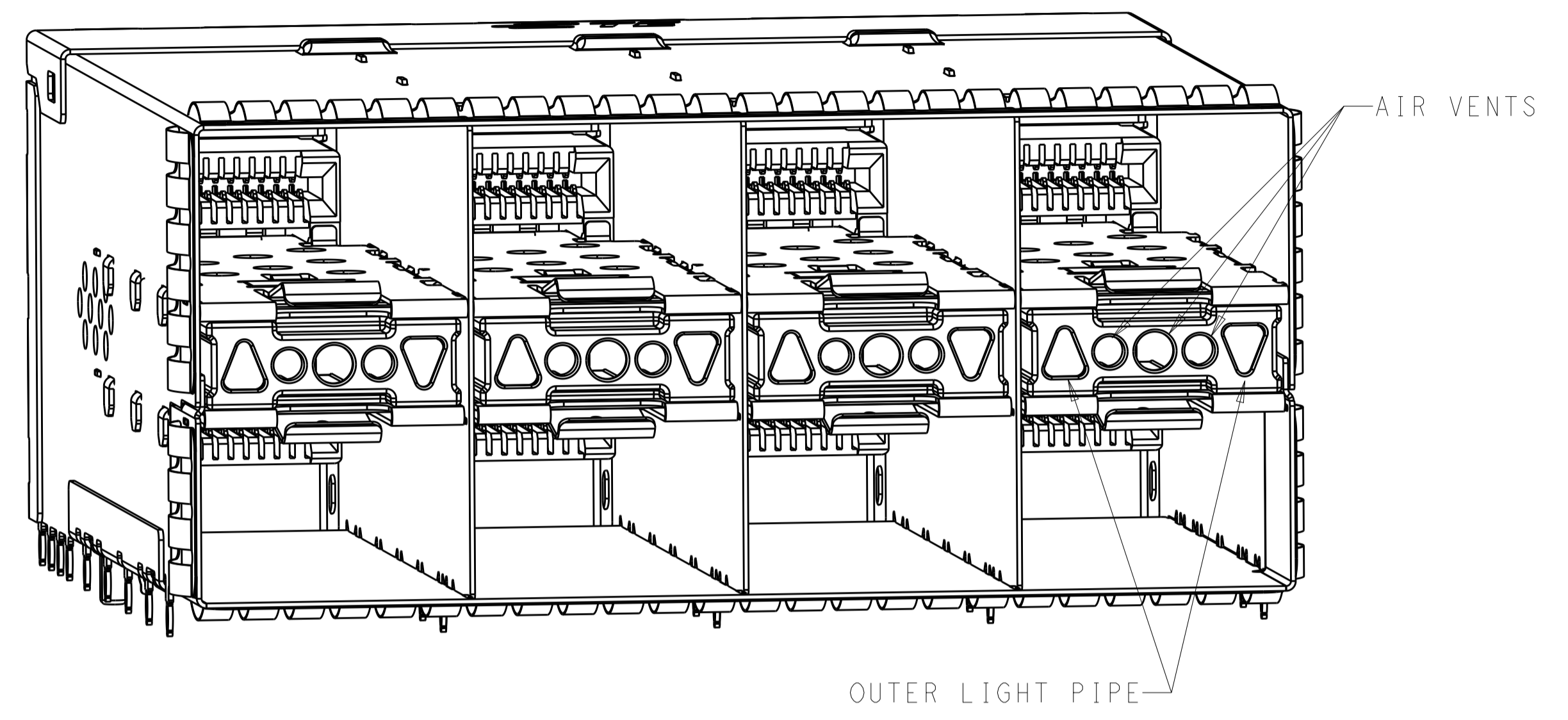
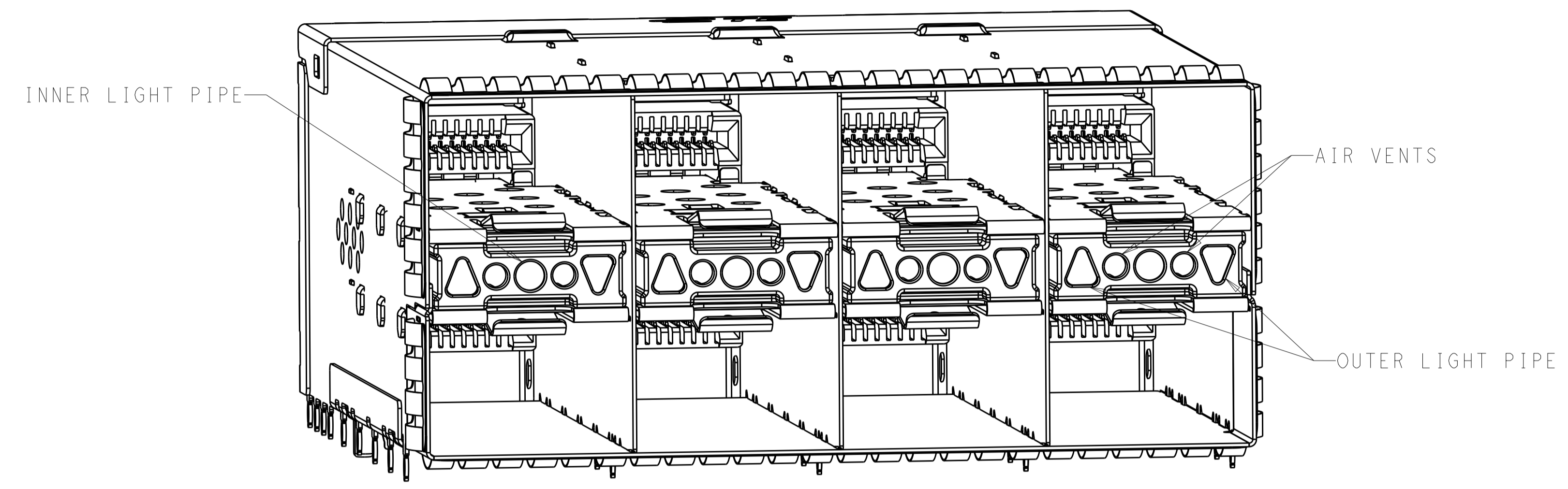
3-2180324-0
EMI GASKET TYPE

3-2180324-1
EMI SPRING TYPE

THIS DRAWING IS A CONTROLLED DOCUMENT.		DWN: M.E. CONNER 14SEP2011	TE Connectivity NAME: RECEPTACLE ASSEMBLY, 2X4, STACKED, zSFP+
DIMENSIONS: mm		CHK: M.D. MORRISON 16SEP2011	
TOLERANCES UNLESS OTHERWISE SPECIFIED:		APVD: M.D. MORRISON 25OCT2011	SIZE: CAGE CODE DRAWING NO. RESTRICTED TO
0 PLC	±0.13	PRODUCT SPEC	A100779C=2180324
1 PLC	±0.13	APPLICATION SPEC	SCALE: 2:1 SHEET 2 OF 7 REV: C1
2 PLC	±0.13	WEIGHT	
3 PLC	±0.13	CUSTOMER DRAWING	
4 PLC	±0.13		
ANGLES	±0.13		
MATERIAL: SEE NOTES	FINISH: SEE NOTES		


LOC		DIST		REVISIONS			
GP	00	P	LYR	DESCRIPTION	DATE	OWN	APVD
		-		SEE SHEET 1			

AIRFLOW ENHANCE W/ LP TYPE

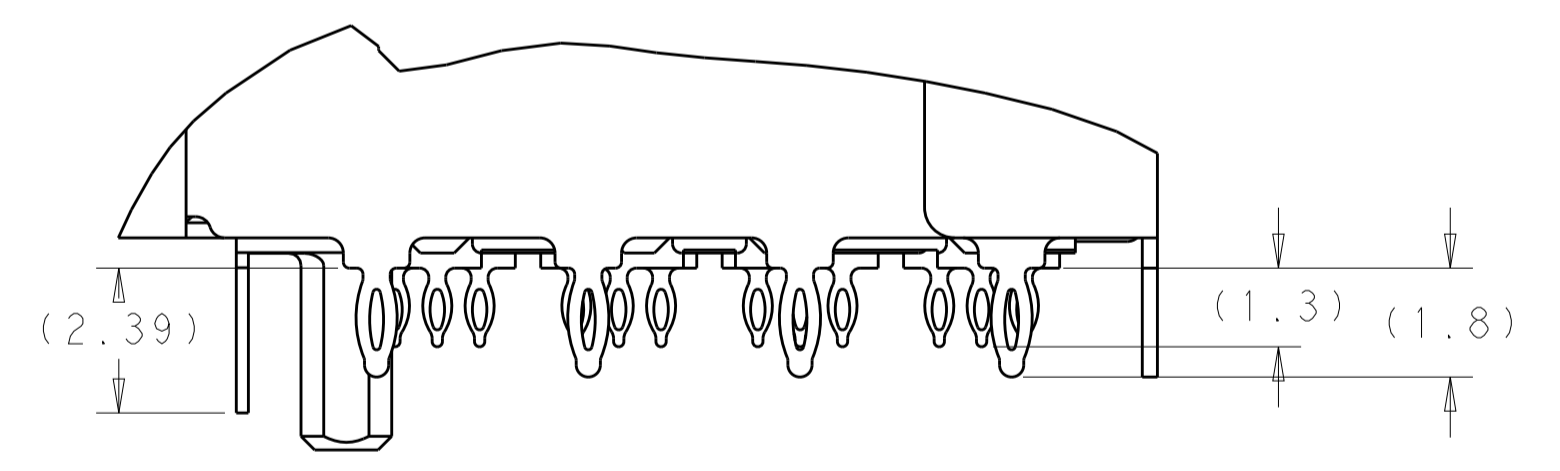
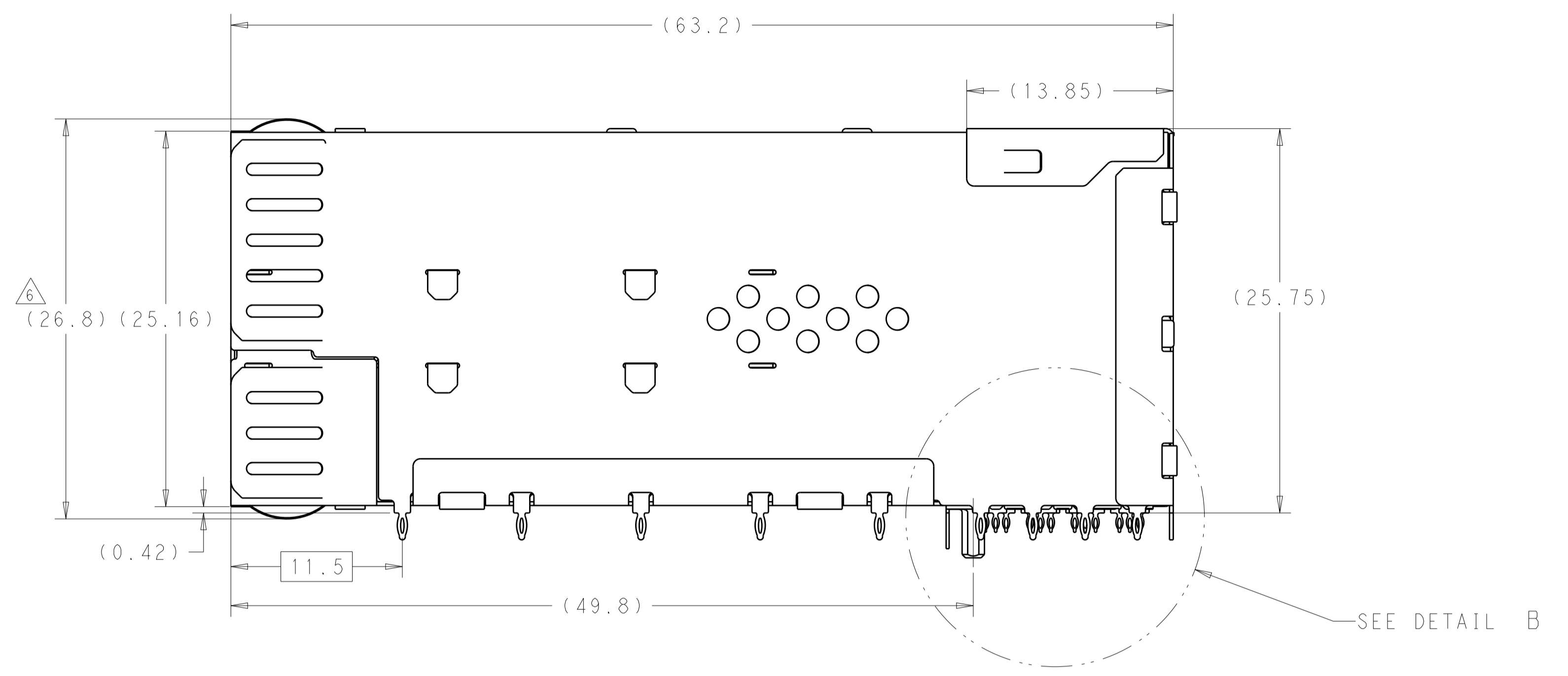
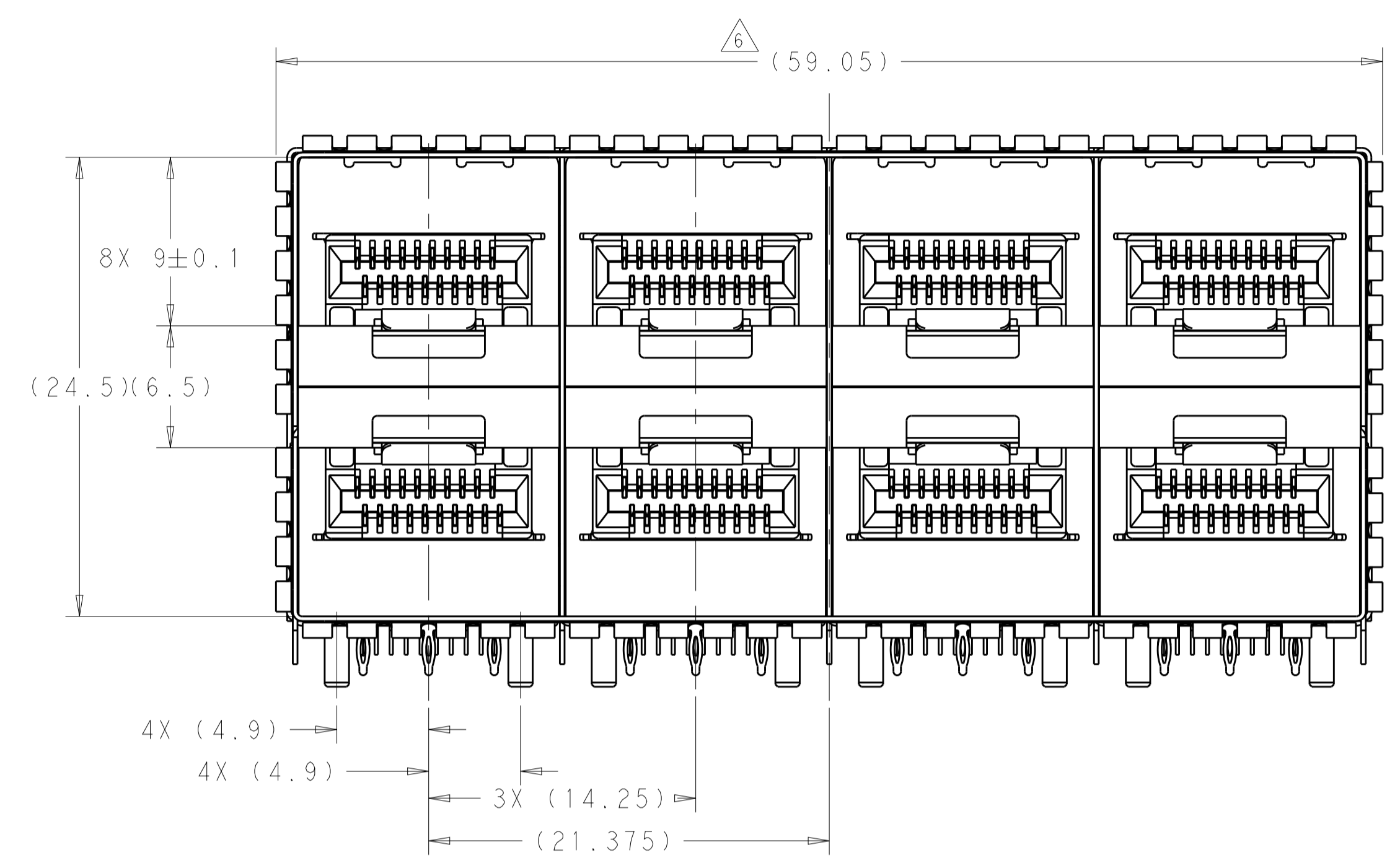


3-2180324-2
EMI SPRING W/ LP TYPE

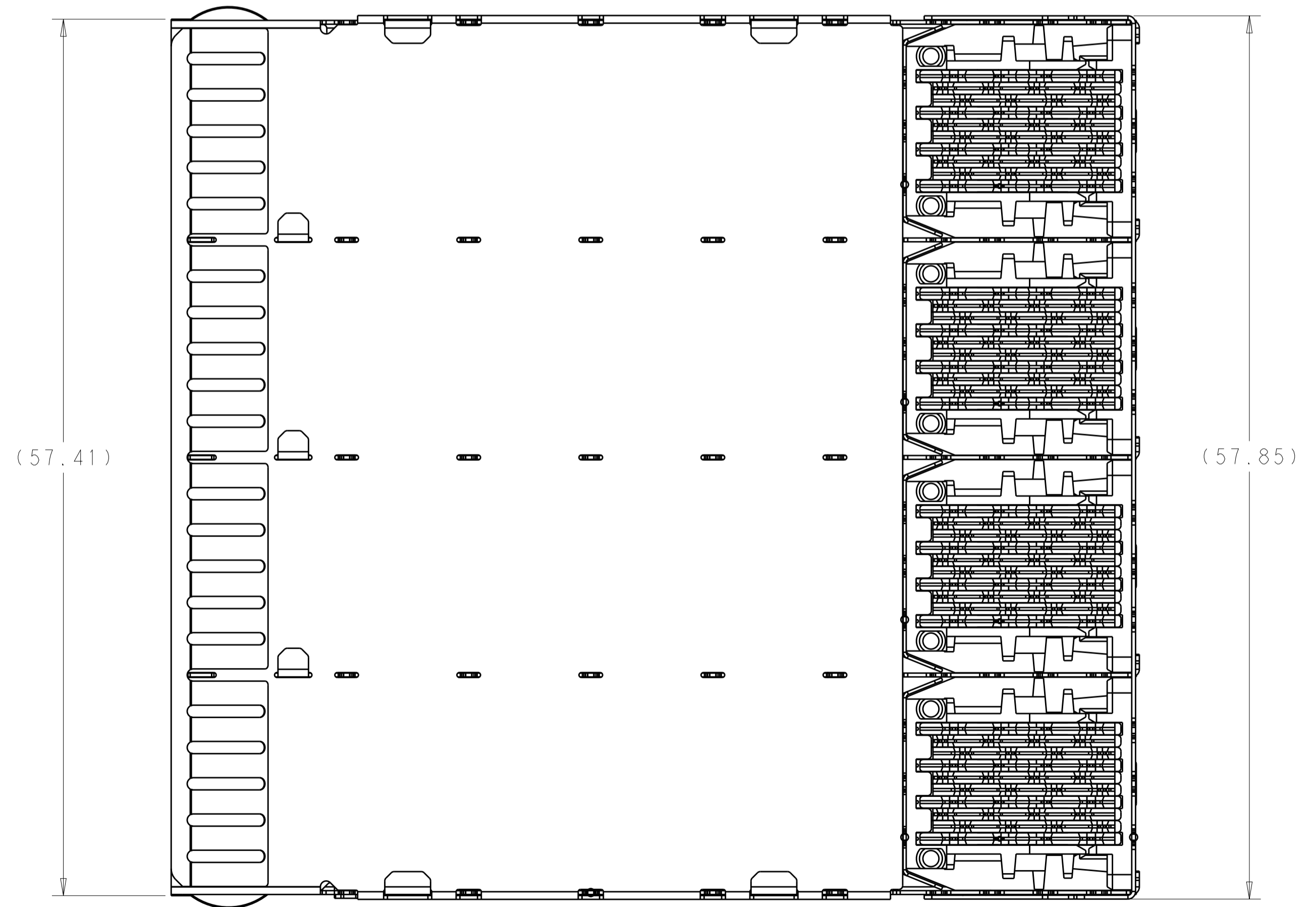
3-2180324-3
EMI SPRING W/ OUTER LP TYPE

THIS DRAWING IS A CONTROLLED DOCUMENT.		OWN: M.E. CONNER 14SEP2011	 TE Connectivity
DIMENSIONS: mm		CHK: M.D. MORRISON 16SEP2011	
TOLERANCES UNLESS OTHERWISE SPECIFIED:		APVD: M.D. MORRISON 25OCT2011	NAME: RECEPTACLE ASSEMBLY, 2X4, STACKED, zSFP+
0 PLC ±0.13	1 PLC ±0.13	PRODUCT SPEC: 108-2481	SIZE: A1
2 PLC ±0.13	3 PLC ±0.13	APPLICATION SPEC: 114-13319	CAGE CODE: 2180324
4 PLC ±0.13	ANGLES ±0.13	WEIGHT: -	RESTRICTED TO: -
MATERIAL: SEE NOTES	FINISH: SEE NOTES	CUSTOMER DRAWING	SCALE: 2:1 SHEET 3 OF 7 REV: C1

LOC	DIST	REVISIONS					
GP	00	P	LTN	DESCRIPTION	DATE	DWN	APVD
		-		SEE SHEET 1			



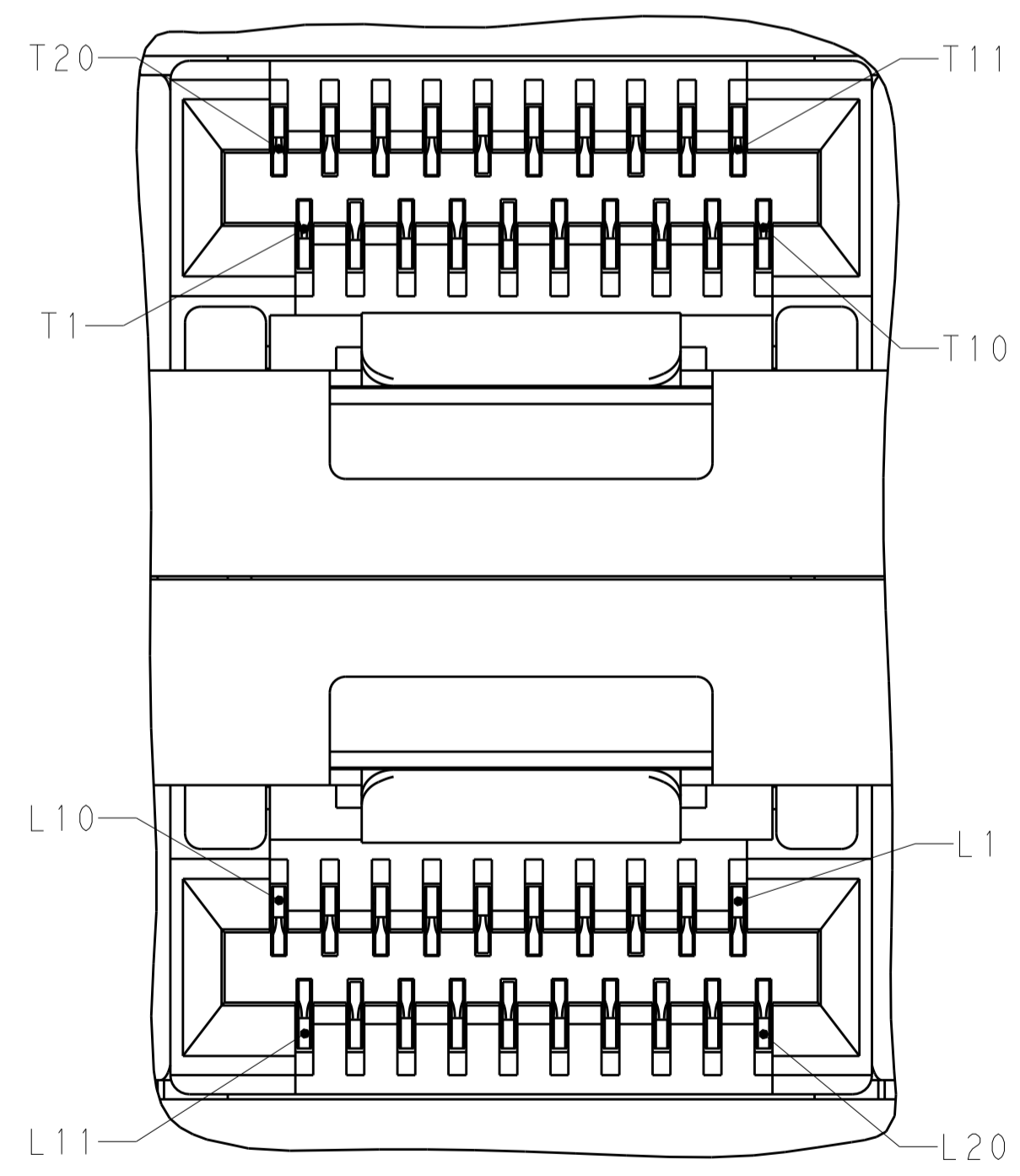
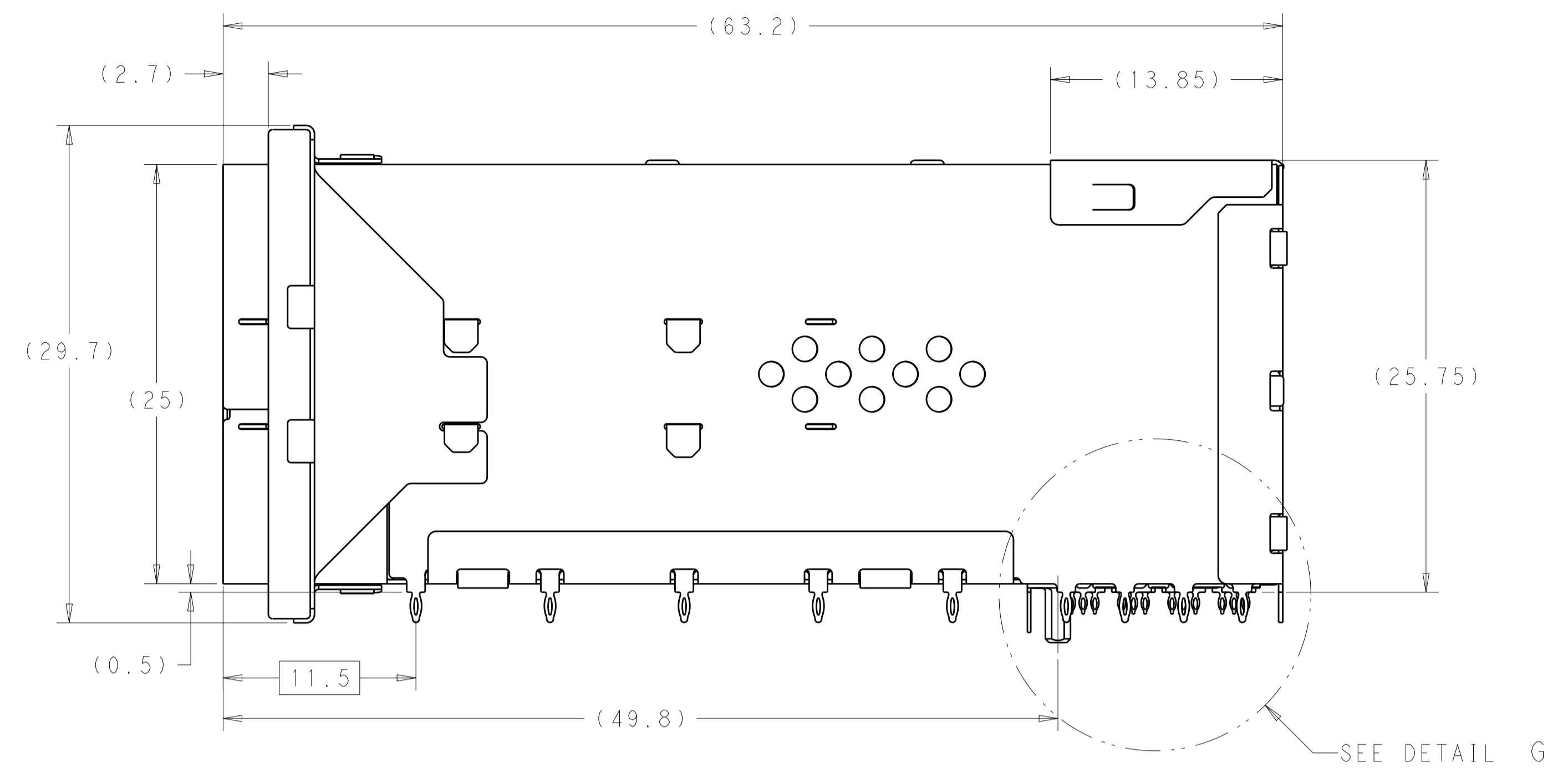
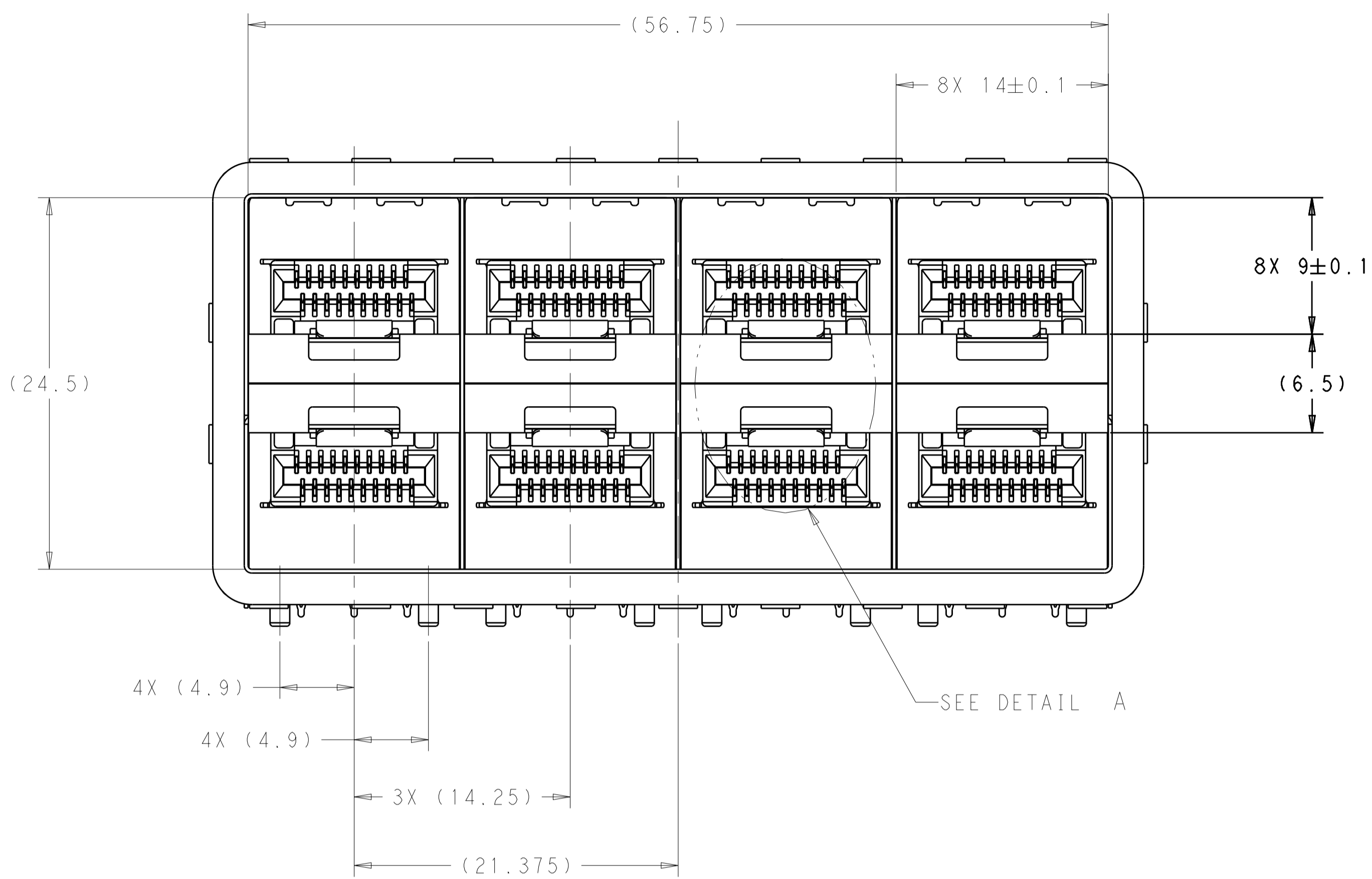
DETAIL B
SCALE 8:1



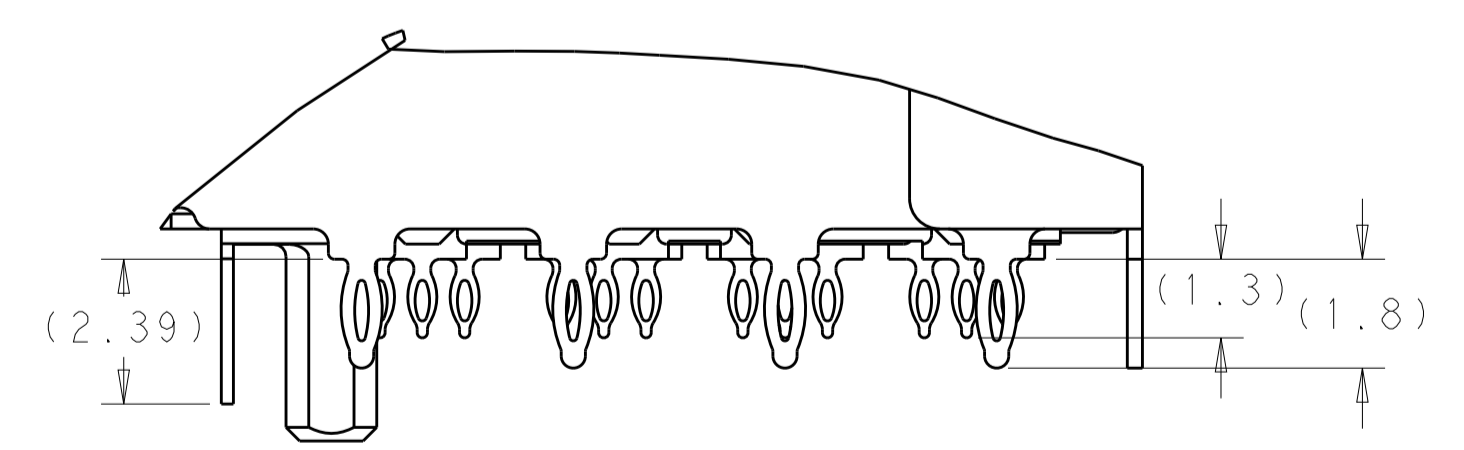
2180324-5 THRU 2180324-8, 1-2180324-9, 2-2180324-0, 3-2180324-1, 3-2180324-2, 3-2180324-3
 EMI SPRINGS ONLY
 SCALE 4:1

THIS DRAWING IS A CONTROLLED DOCUMENT.		DWN: M. E. CONNER 14SEP2011	TE Connectivity
DIMENSIONS: mm		CHK: M. D. MORRISON 16SEP2011	
TOLERANCES UNLESS OTHERWISE SPECIFIED:		APVD: M. D. MORRISON 25OCT2011	NAME: RECEPTACLE ASSEMBLY, 2X4, STACKED, zSFP+
0 PLC ±0.13 1 PLC ±0.13 2 PLC ±0.13 3 PLC ±0.13 4 PLC ±0.13 ANGLES ±0.13		PRODUCT SPEC: 108-2481	SIZE: A100779
MATERIAL: SEE NOTES		APPLICATION SPEC: 114-13319	CAGE CODE: C=2180324
FINISH: SEE NOTES		WEIGHT: -	RESTRICTED TO: -
		CUSTOMER DRAWING	SCALE: 2:1 SHEET 4 OF 7 REV: C1

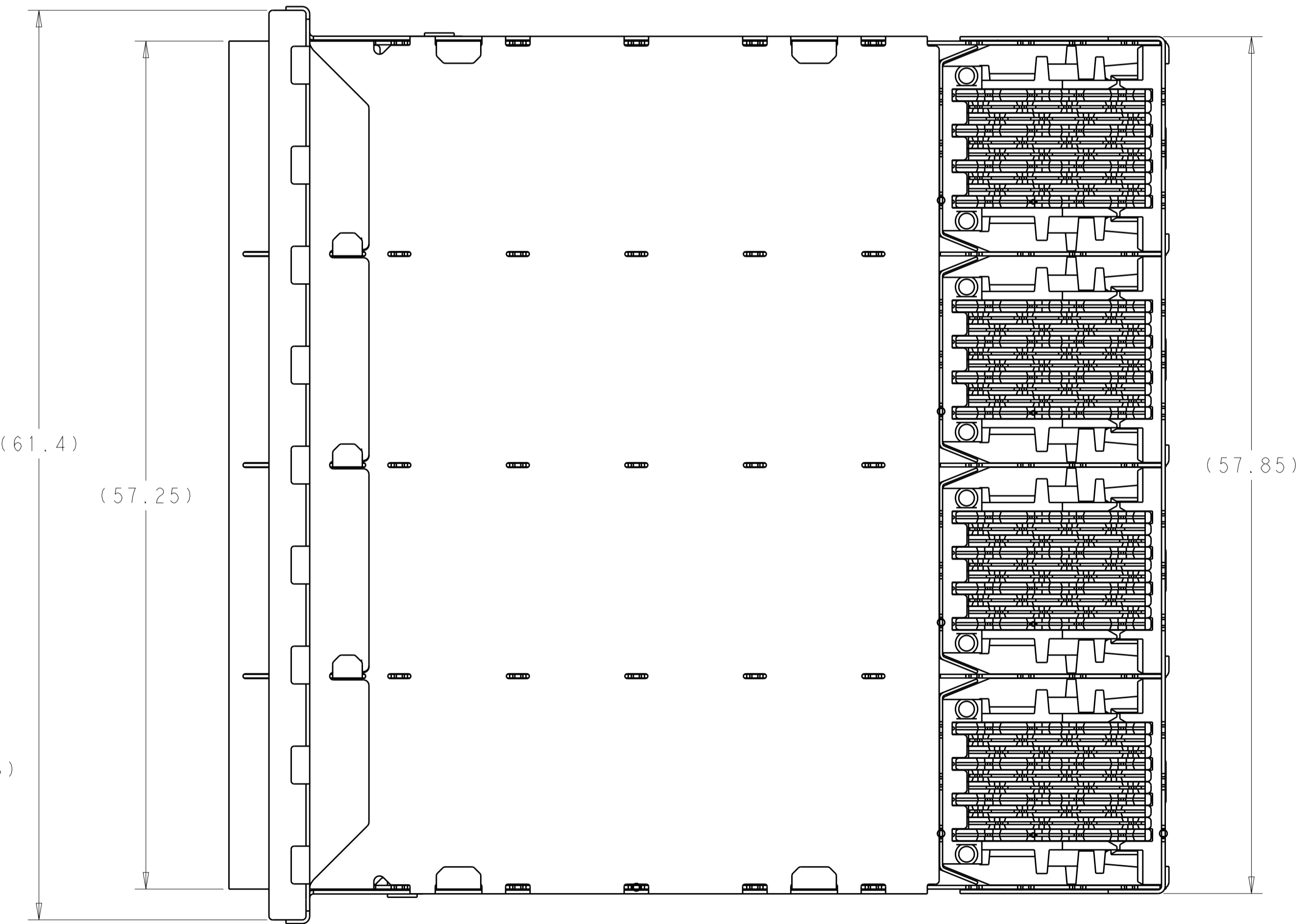
LOC		DIST		REVISIONS			
GP	00	P	LTH	DESCRIPTION	DATE	DWN	APVD
		-		SEE SHEET 1	-	-	-



DETAIL A
 4X INDIVIDUALLY
 SCALE 10:1



DETAIL G
 SCALE 8:1

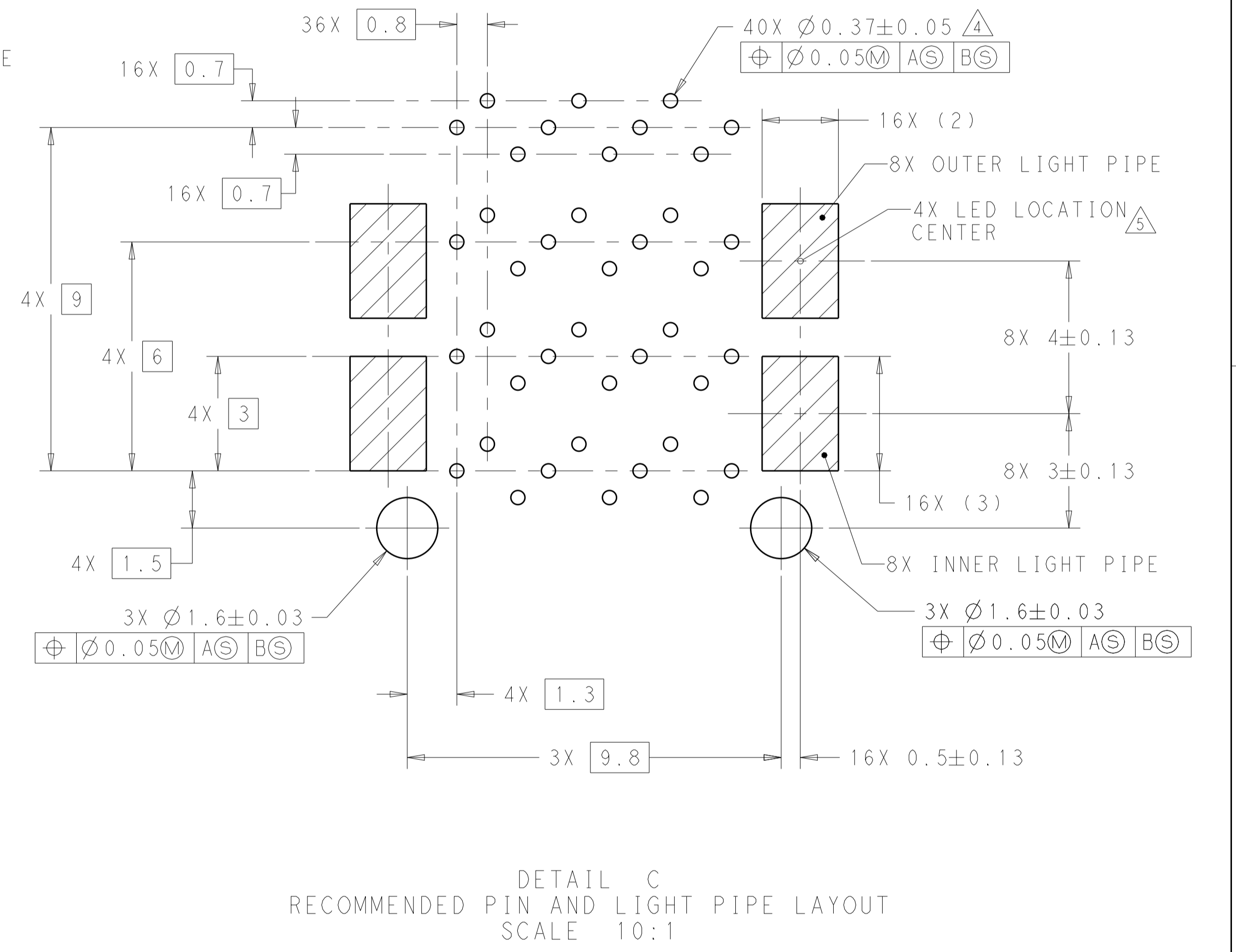
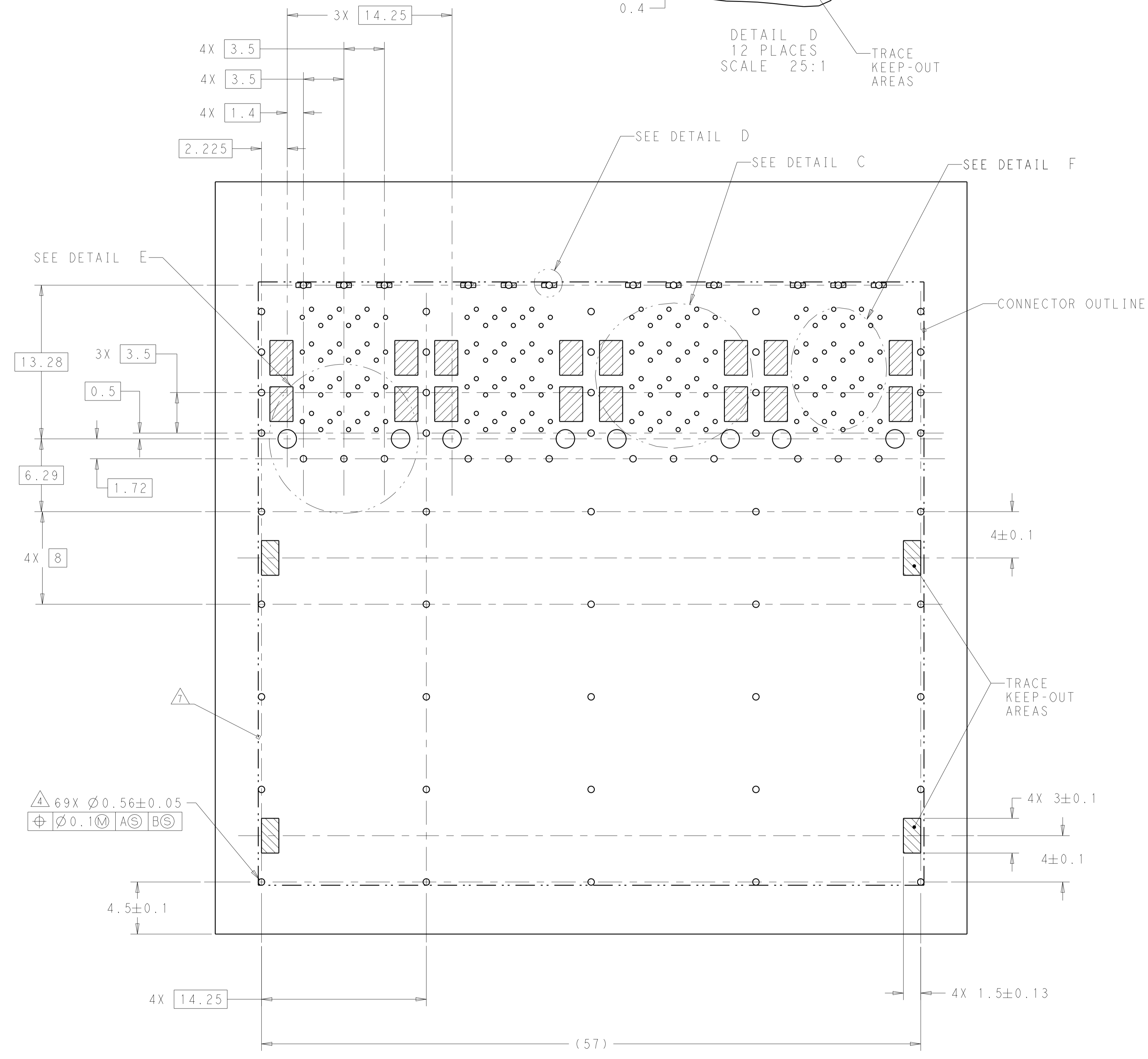
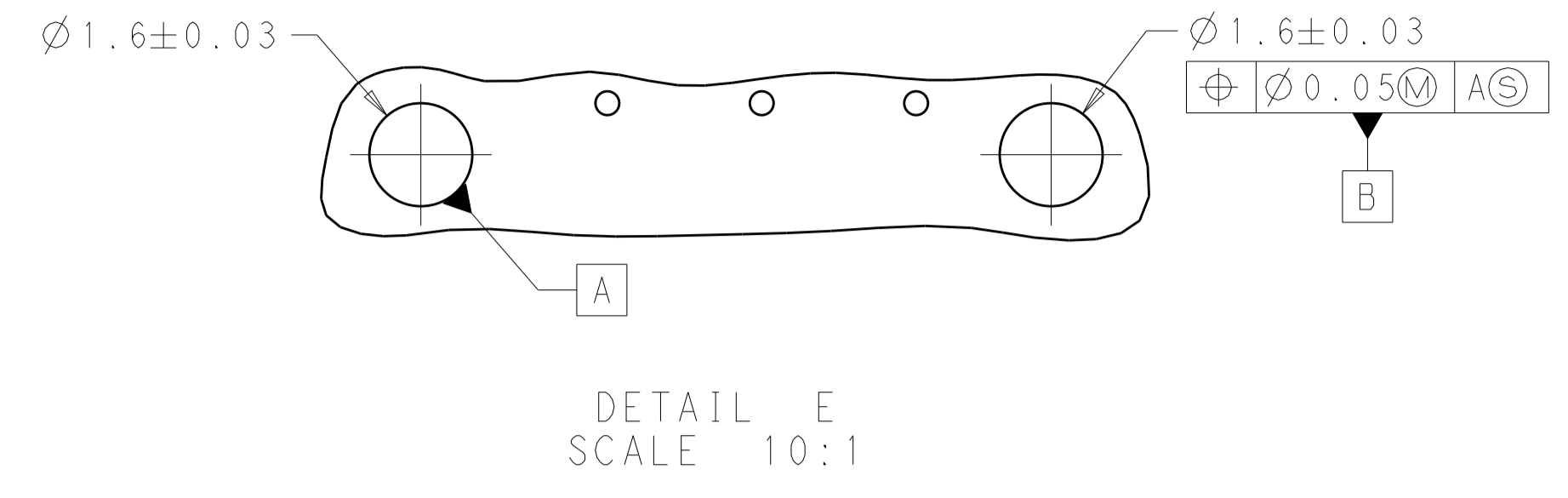
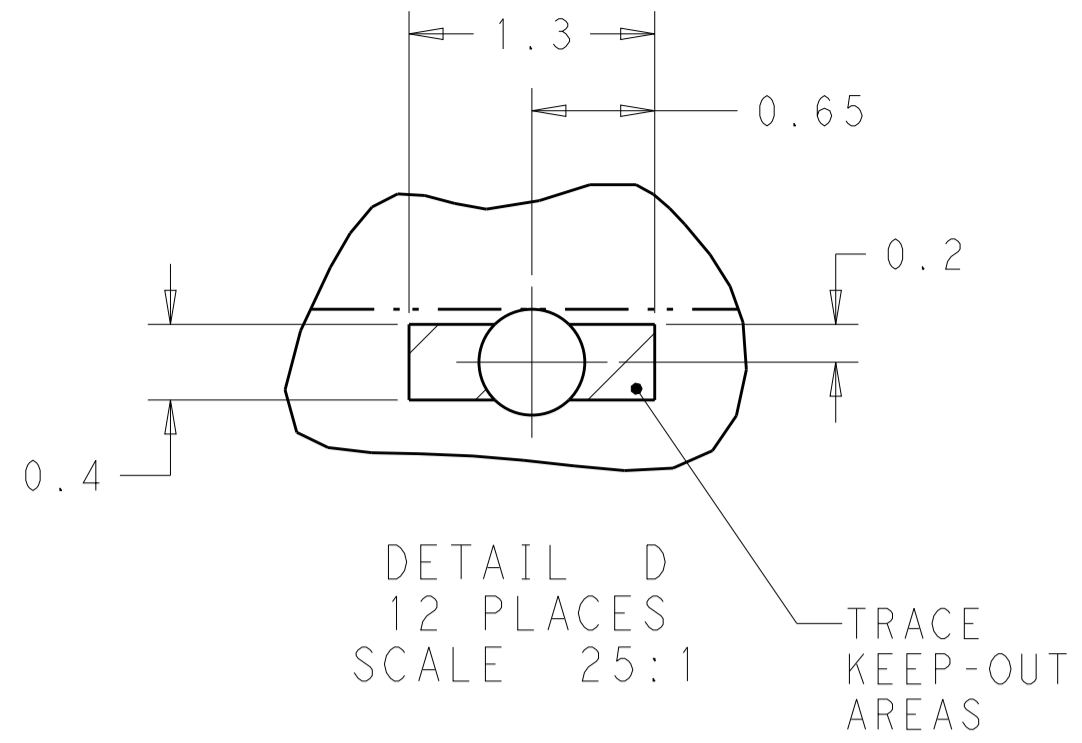


THIS DRAWING IS A CONTROLLED DOCUMENT.

DIMENSIONS:	TOLERANCES UNLESS OTHERWISE SPECIFIED:	DWN: M.E. CONNER 14SEP2011	CHK: M.D. MORRISON 16SEP2011	APVD: M.D. MORRISON 25OCT2011	NAME: RECEPTACLE ASSEMBLY, 2X4, STACKED, zSFP+
mm	0 PLC ±0.13 1 PLC ±0.13 2 PLC ±0.13 3 PLC ±0.13 4 PLC ±0.13 ANGLES ±0.13	PRODUCT SPEC: 108-2481	APPLICATION SPEC: 114-13319	WEIGHT: -	RESTRICTED TO: -
MATERIAL: SEE NOTES	FINISH: SEE NOTES	CAGE CODE: A100779	DRAWING NO: C=2180324	SCALE: 2:1	SHEET 5 OF 7

CUSTOMER DRAWING

LOC		DIST		REVISIONS			
GP	00	P	LYR	DESCRIPTION	DATE	OWN	APVD
		-	-	SEE SHEET 1	-	-	-



THIS DRAWING IS A CONTROLLED DOCUMENT.		OWN: M. E. CONNER 14SEP2011	TE Connectivity
DIMENSIONS: mm		CHK: M. D. MORRISON 16SEP2011	
TOLERANCES UNLESS OTHERWISE SPECIFIED:		APVD: M. D. MORRISON 25OCT2011	NAME: RECEPTACLE ASSEMBLY, 2X4, STACKED, zSFP+
0 PLC ±0.13		PRODUCT SPEC: 108-2481	SIZE: CAGE CODE DRAWING NO. RESTRICTED TO
1 PLC ±0.13		APPLICATION SPEC: 114-13319	A100779C=2180324
2 PLC ±0.13		WEIGHT: -	SCALE: 2:1 SHEET 6 OF 7 REV: C1
3 PLC ±0.13		CUSTOMER DRAWING	
4 PLC ±0.13			
ANGLES ±0.13			
MATERIAL: SEE NOTES			
FINISH: SEE NOTES			