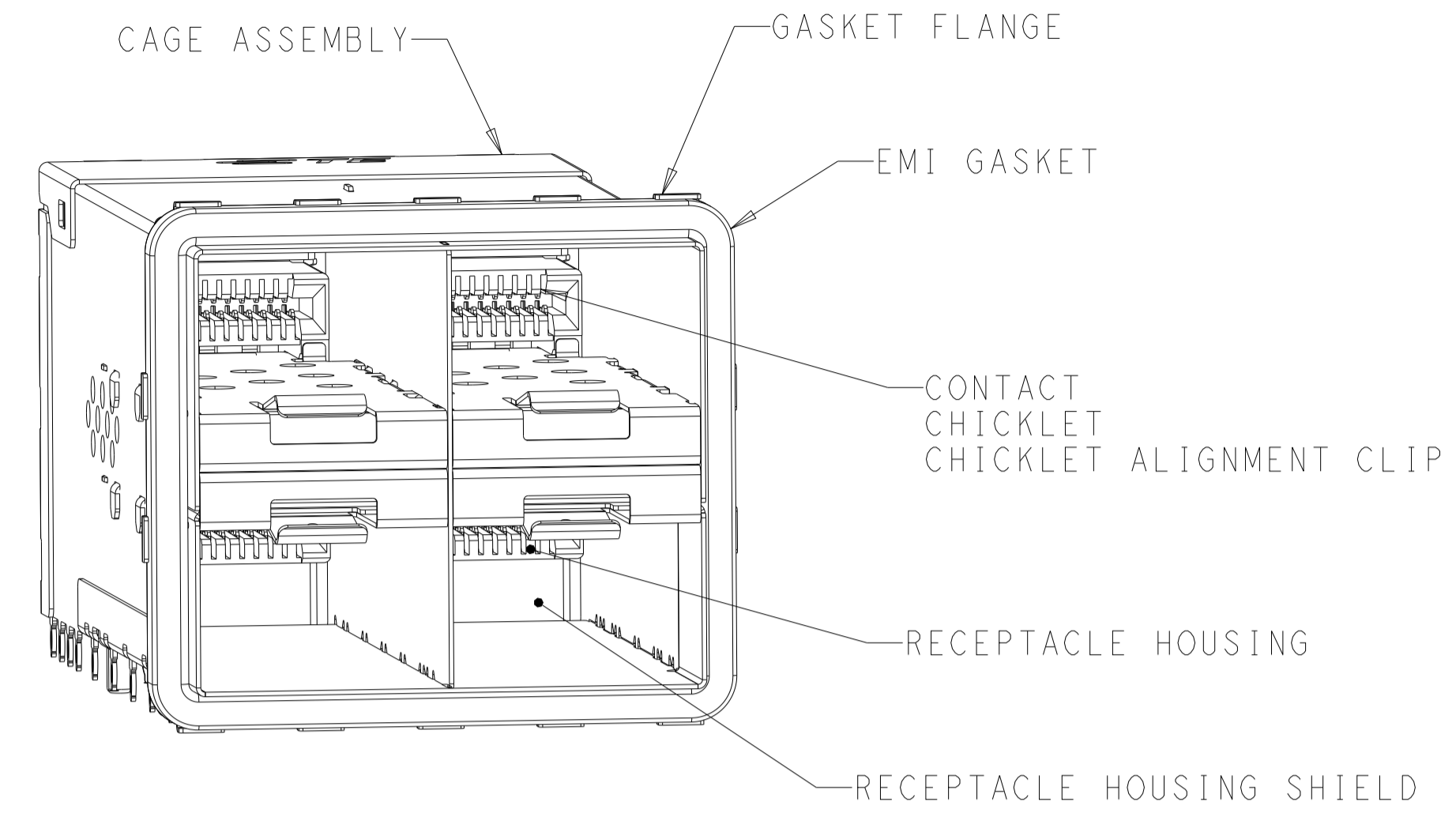
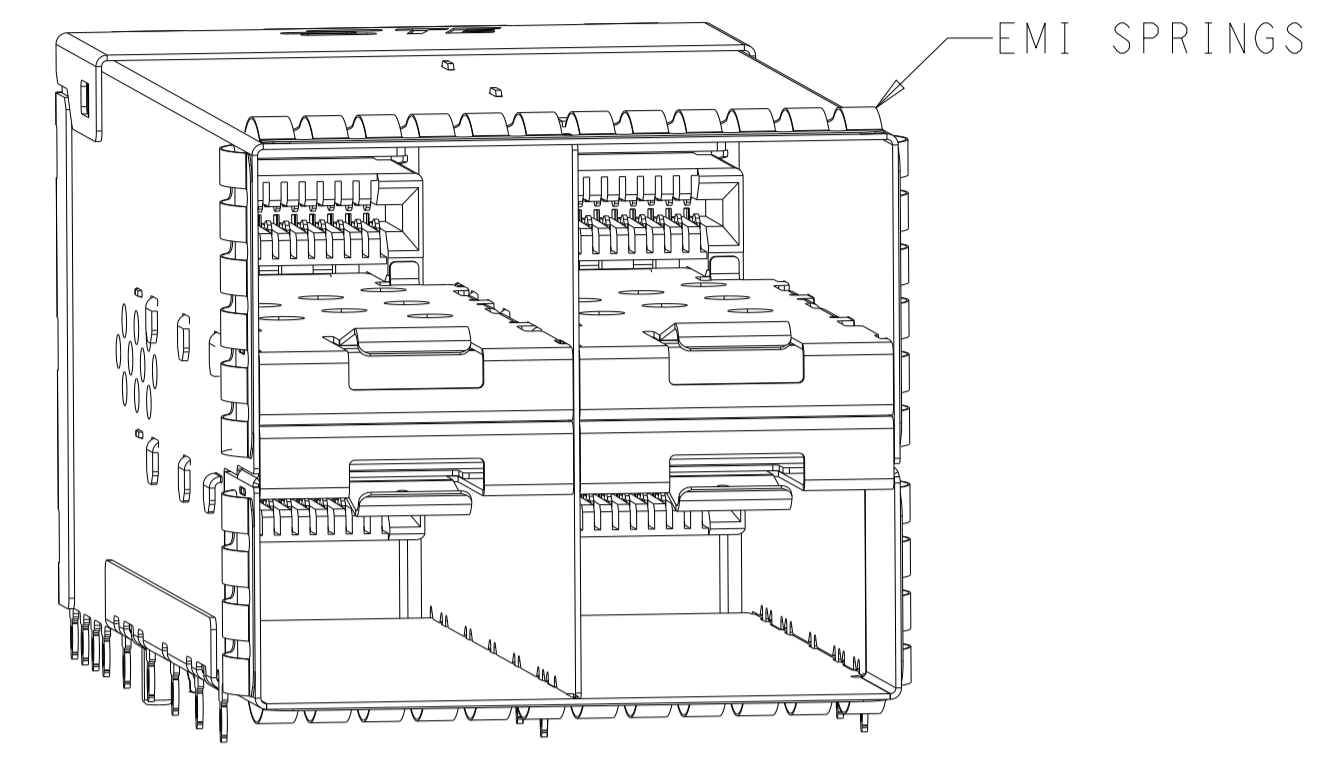


| LOC | DIST | REVISIONS |     |                            |           |     |      |
|-----|------|-----------|-----|----------------------------|-----------|-----|------|
| GP  | 00   | P         | LTN | DESCRIPTION                | DATE      | OWN | APVD |
|     |      | A         |     | RELEASED PER ECO-14-008758 | 13JUN2014 | CJV | PAR  |
|     |      | B         |     | REVISED PER ECO-15-010819  | 10AUG2015 | PP  | SH   |
|     |      | C1        |     | REVISED PER ECR-21-002578  | 02MAR2021 | SZ  | SZ   |



2198325-1  
SCALE 3:1



2198325-5  
SCALE 3:1

- MATERIALS:  
 CAGE ASSEMBLY - NICKEL-SILVER ALLOY PER ASTM B 122  
 CONNECTOR HOUSING - LCP, BLACK, UL 94V-O RATED  
 CONNECTOR HOUSING SHIELD - COPPER ALLOY  
 CHICKLET - LCP, BLACK, UL 94V-O RATED  
 CHICKLET ALIGNMENT CLIP - PBT  
 CONTACT - COPPER ALLOY  
 EMI GASKET - ELASTOMERIC  
 GASKET FLANGE - STAINLESS STEEL  
 EMI SPRINGS - PHOSPHOR BRONZE PER ASTM B 103,  
 0.8µm MIN TIN PER ASTM B 545  
 LIGHT PIPE - POLYCARBONATE  
 LIGHT PIPE HOUSING - ZINC ALLOY

- CONTACT FINISH:  
 CONFORMS TO THE REQUIREMENTS OF PRODUCT SPECIFICATION 108-2481, BASED ON EIA/ECA-364-1000.01A, CONTROLLED ENVIRONMENT APPLICATIONS) ON MATING INTERFACE, TIN ON NEEDLE EYE

- PCB MINIMUM THICKNESS = 1.5mm

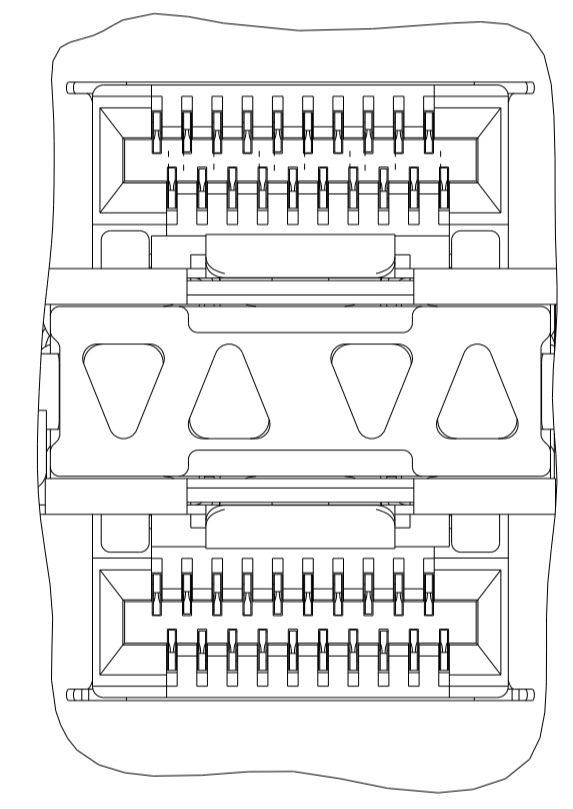
△ FOR HOLE SIZE AND PLATINGS, SEE APPLICATION SPECIFICATION 114-13319

△ LIGHT PIPE PAD LAYOUT IS FOR 0805 LOW PROFILE LED PACKAGE WITH A HEIGHT OF 0.8mm

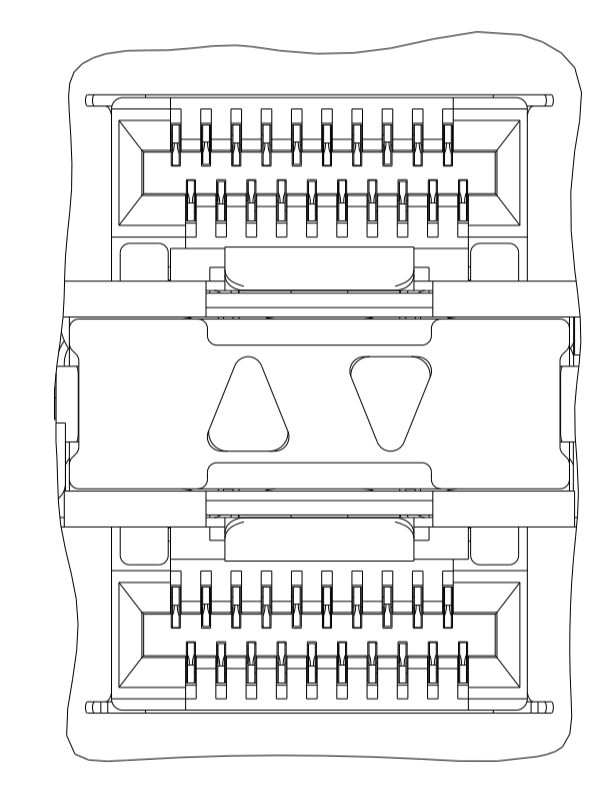
△ DIMENSIONS APPLY FOR EMI SPRINGS ONLY

△ THE ENTIRE AREA OF THE CONNECTOR FOOTPRINT, INDICATED BY THE DASHED LINE, TO BE CONSIDERED THE KEEPOUT AREA FOR COMPONENTS AND SIGNAL TRACES, TOP SIDE ONLY, TOP SIDE TRACES ALLOWED WITHIN CONNECTOR HOLE PATTERN

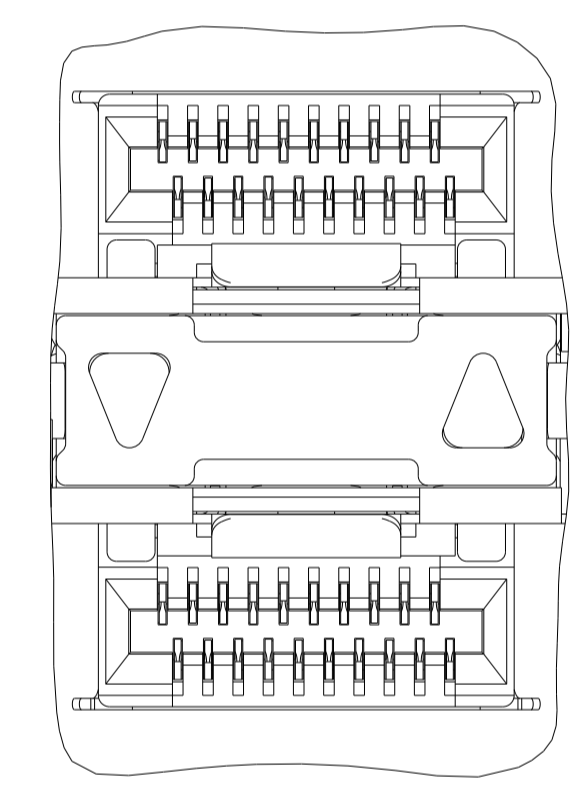
△ AIRFLOW ENHANCE VERSION



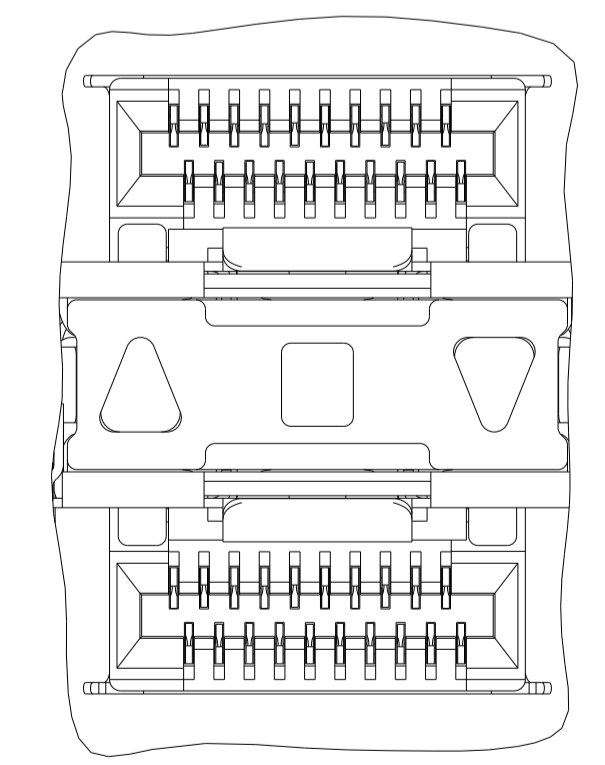
INNER/OUTER LIGHT PIPES  
2198325-2, 2198325-6  
SCALE 5:1



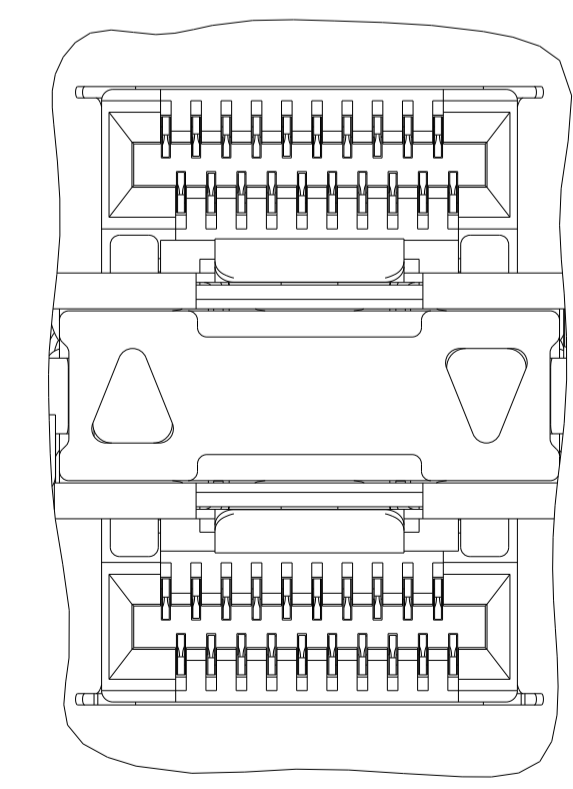
INNER LIGHT PIPES  
2198325-3, 2198325-7  
SCALE 5:1



OUTER LIGHT PIPES  
2198325-4, 2198325-8  
SCALE 5:1



CENTER/REVERSED OUTER LIGHT PIPES  
1-2198325-7, 1-2198325-9  
SCALE 5:1



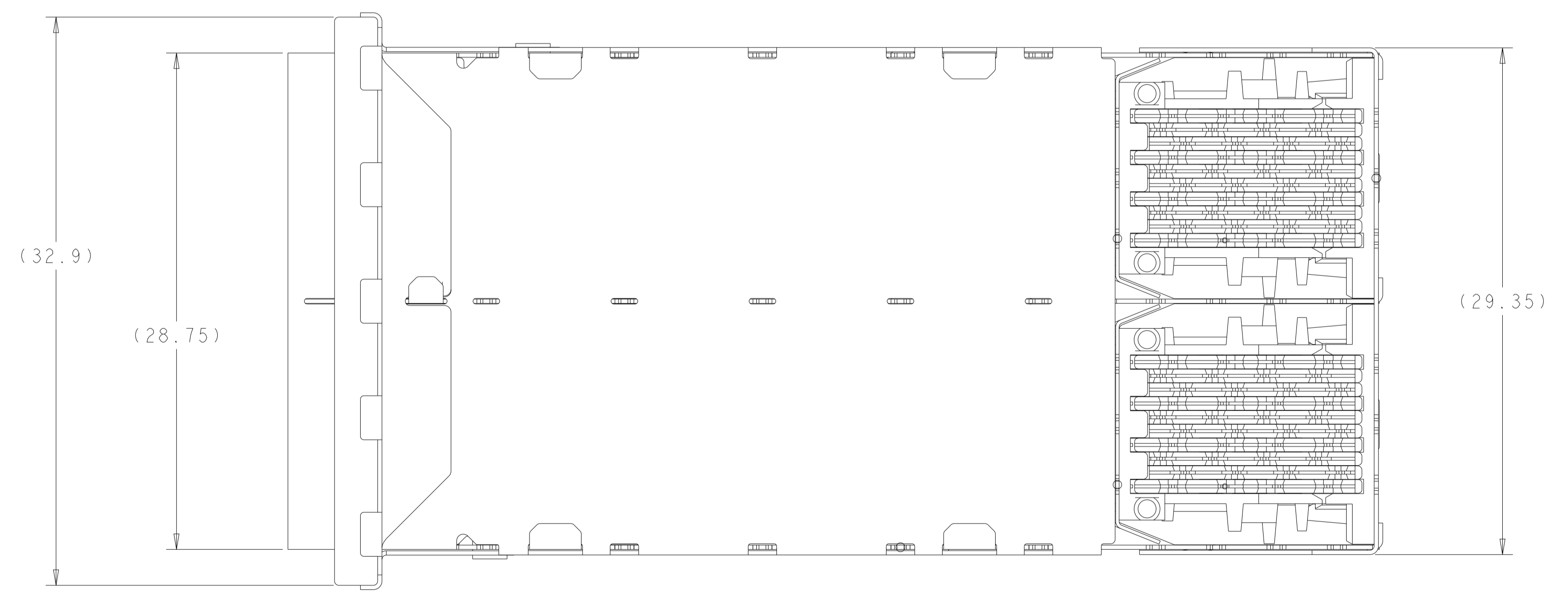
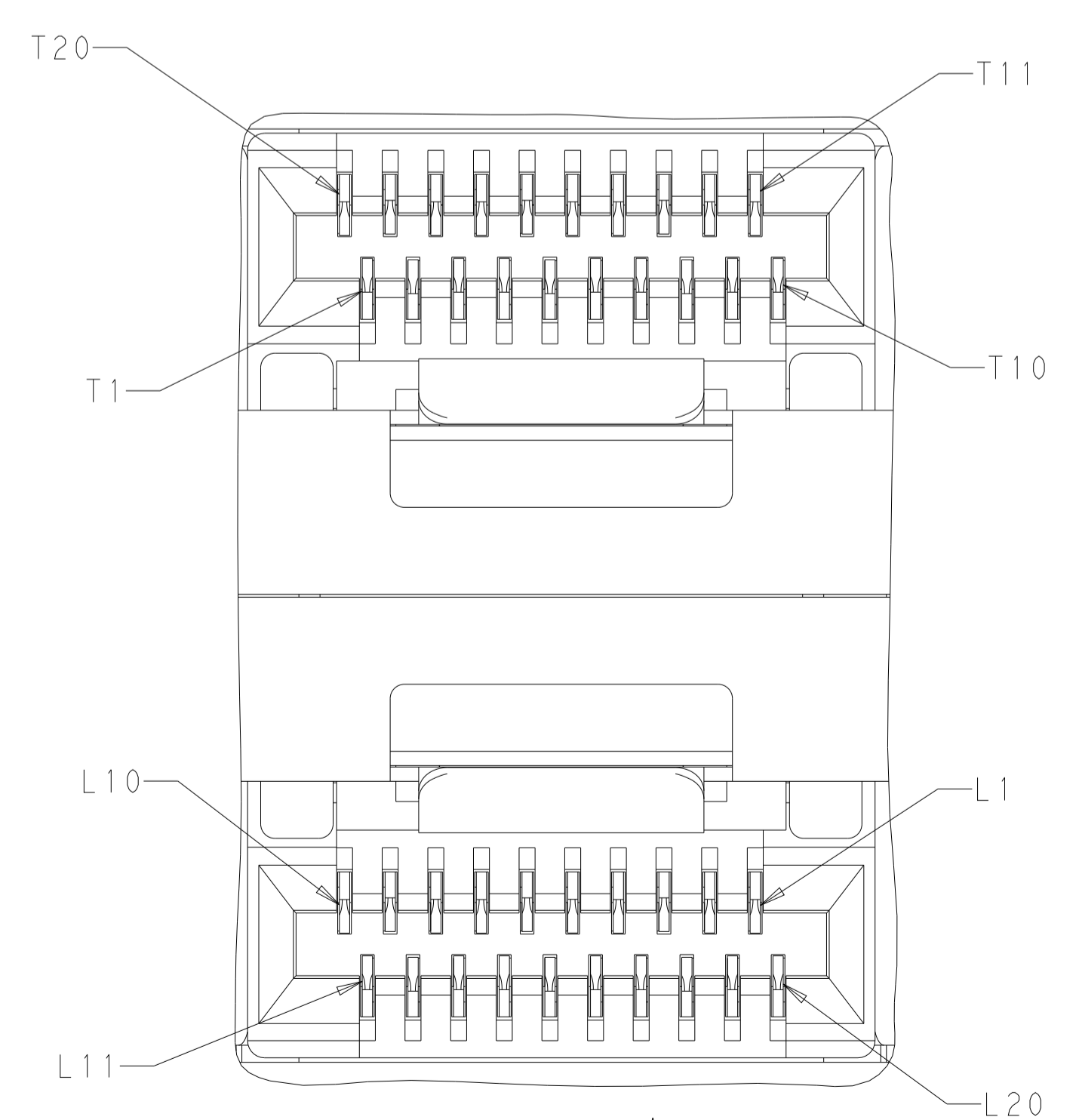
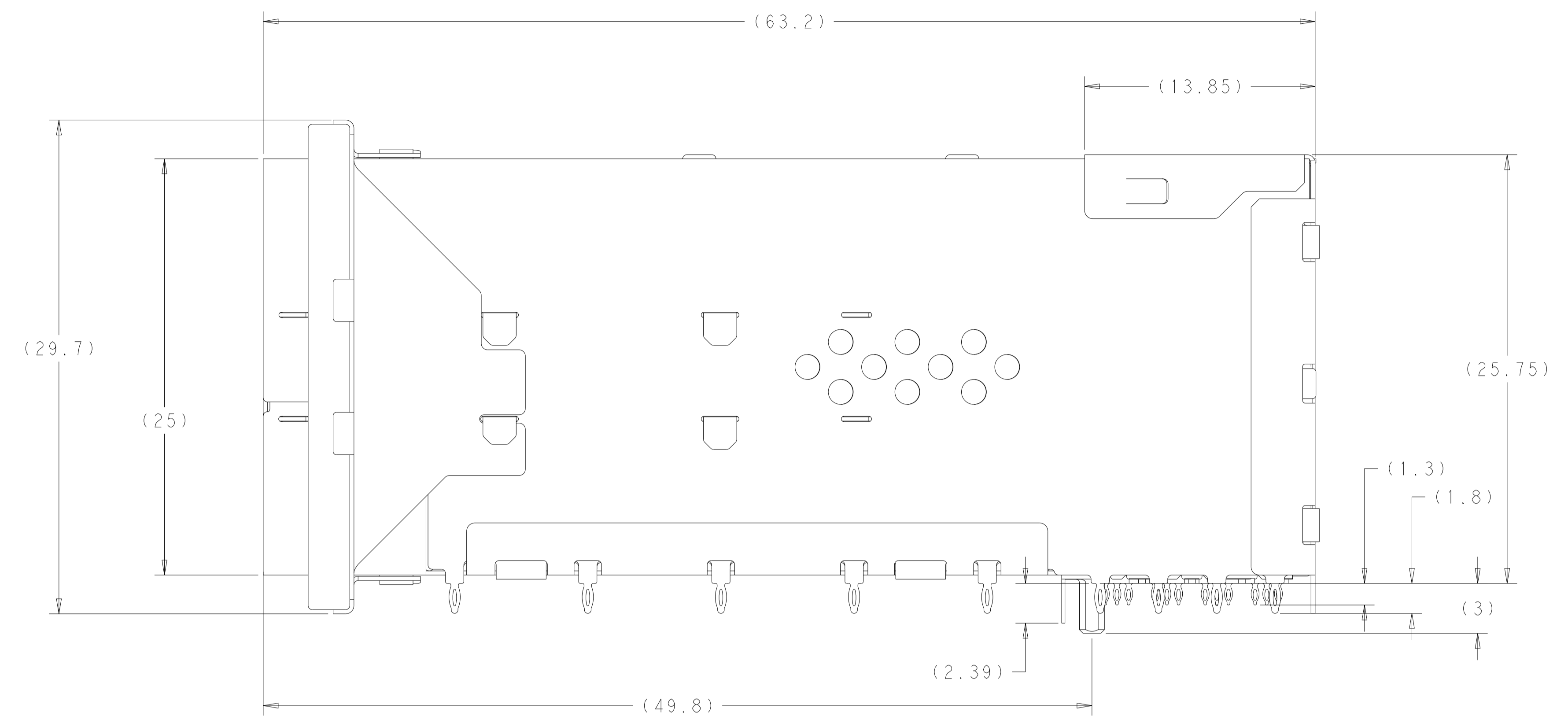
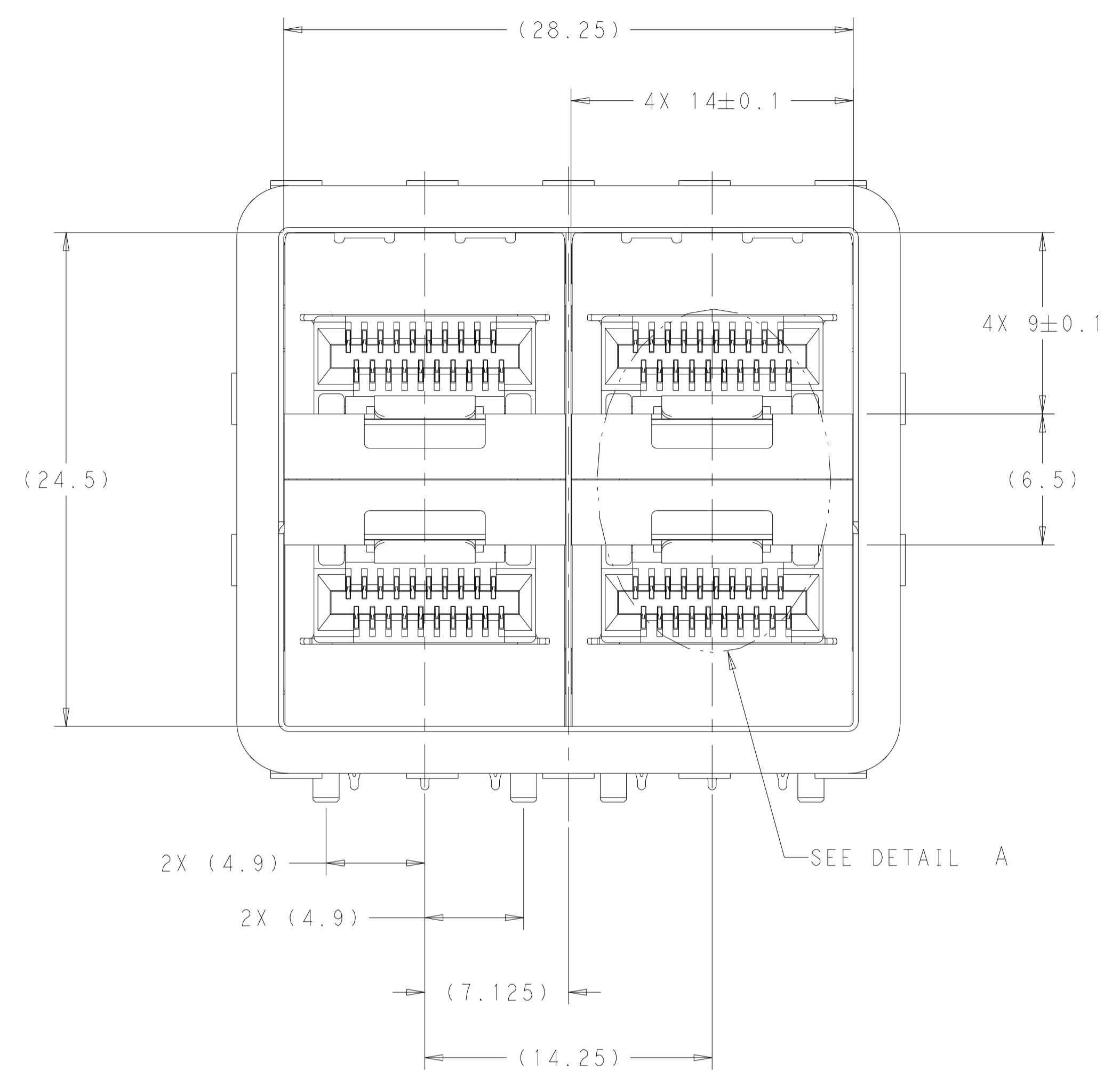
REVERSED OUTER LIGHT PIPES  
1-2198325-8, 2-2198325-0  
SCALE 5:1

|     |           |             |                          |             |
|-----|-----------|-------------|--------------------------|-------------|
| △   | 31        | EMI SPRINGS | REVERSE OUTER            | 3-2198325-3 |
| △   | 31        | EMI SPRINGS | CENTER/REVERSE OUTER     | 3-2198325-2 |
|     | 31        | EMI SPRINGS | CENTER/REVERSE OUTER     | 3-2198325-1 |
|     | 31        | EMI SPRINGS | NONE                     | 3-2198325-0 |
|     | 31        | EMI SPRINGS | REVERSED OUTER           | 2-2198325-0 |
|     |           |             | CENTER/REVERSED OUTER    | 1-2198325-9 |
|     | 33.75     | EMI GASKET  | REVERSED OUTER           | 1-2198325-8 |
|     |           |             | CENTER/REVERSED OUTER    | 1-2198325-7 |
|     | 31        | EMI SPRINGS | OUTER                    | 2198325-8   |
|     |           |             | INNER                    | 2198325-7   |
|     |           |             | INNER/OUTER              | 2198325-6   |
|     |           |             | NONE                     | 2198325-5   |
|     | 33.75     | EMI GASKET  | OUTER                    | 2198325-4   |
|     |           |             | INNER                    | 2198325-3   |
|     |           |             | INNER/OUTER              | 2198325-2   |
|     |           |             | NONE                     | 2198325-1   |
| (E) | CAGE TYPE |             | LIGHT PIPE CONFIGURATION | PART NUMBER |

THIS DRAWING IS A CONTROLLED DOCUMENT.

|                       |   |  |   |
|-----------------------|---|--|---|
| DIMENSIONS:<br>mm<br> | TOLERANCES UNLESS OTHERWISE SPECIFIED:<br>0 PLC ±<br>1 PLC ±<br>2 PLC ±<br>3 PLC ±<br>4 PLC ±<br>ANGLES ±<br>FINISH ± | DWG: M.E. CONNER 06OCT2011<br>CHK: M.D. MORRISON 06OCT2011<br>APVD: M.D. MORRISON 07OCT2011<br>NAME: M.D. MORRISON<br>PRODUCT SPEC: 108-2481<br>APPLICATION SPEC: 114-13319<br>WEIGHT: -<br>Customer Drawing | RECEPTACLE ASSEMBLY, 2X2, STACKED, zSFP+<br>SIZE: A1<br>CAGE CODE: 00779<br>DRAWING NO: 2198325<br>SCALE: 4:1<br>SHEET: 1 OF 6<br>REV: C1 |
|-----------------------|---|--|---|

| LOC |     | DIST |     | REVISIONS |             |      |     |      |
|-----|-----|------|-----|-----------|-------------|------|-----|------|
| P   | LTN | DATE | DMN | APVD      | DESCRIPTION | DATE | DMN | APVD |
| -   | -   | -    | -   | -         | SEE SHEET 1 | -    | -   | -    |

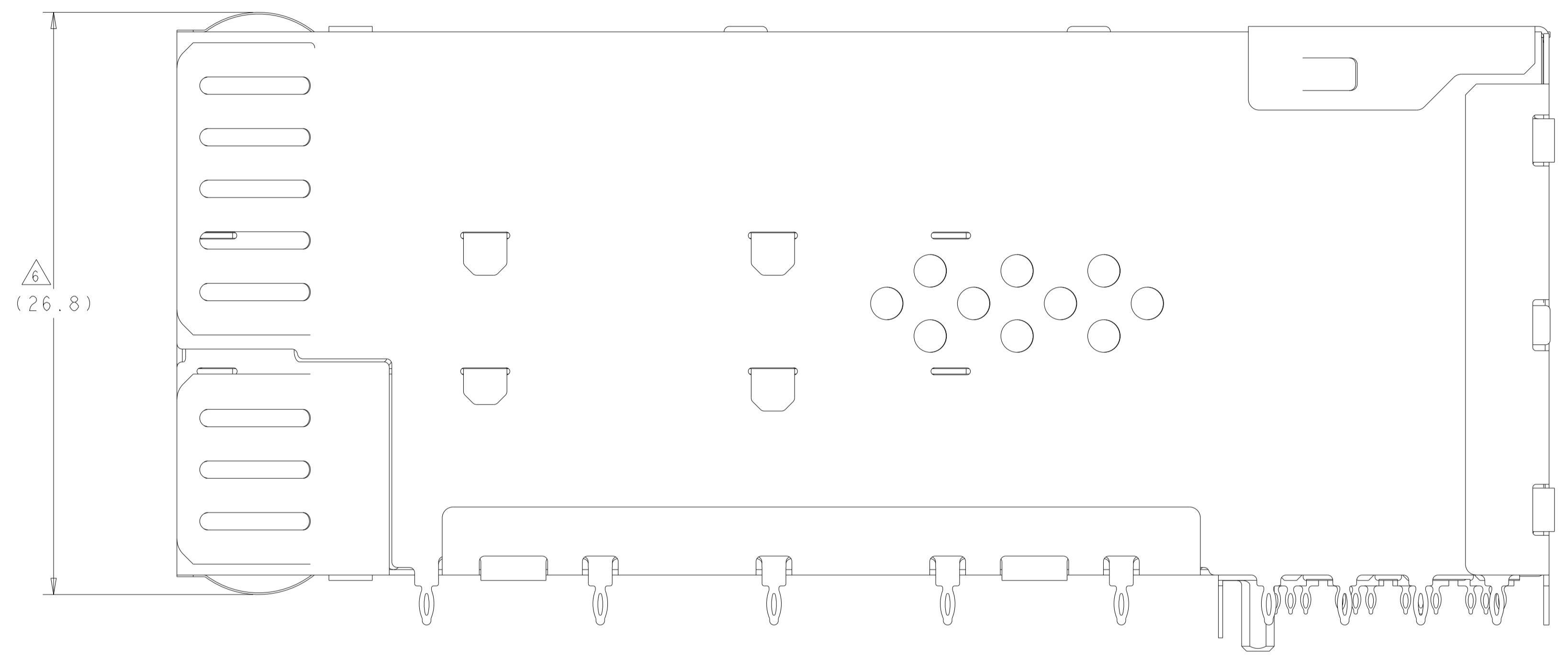
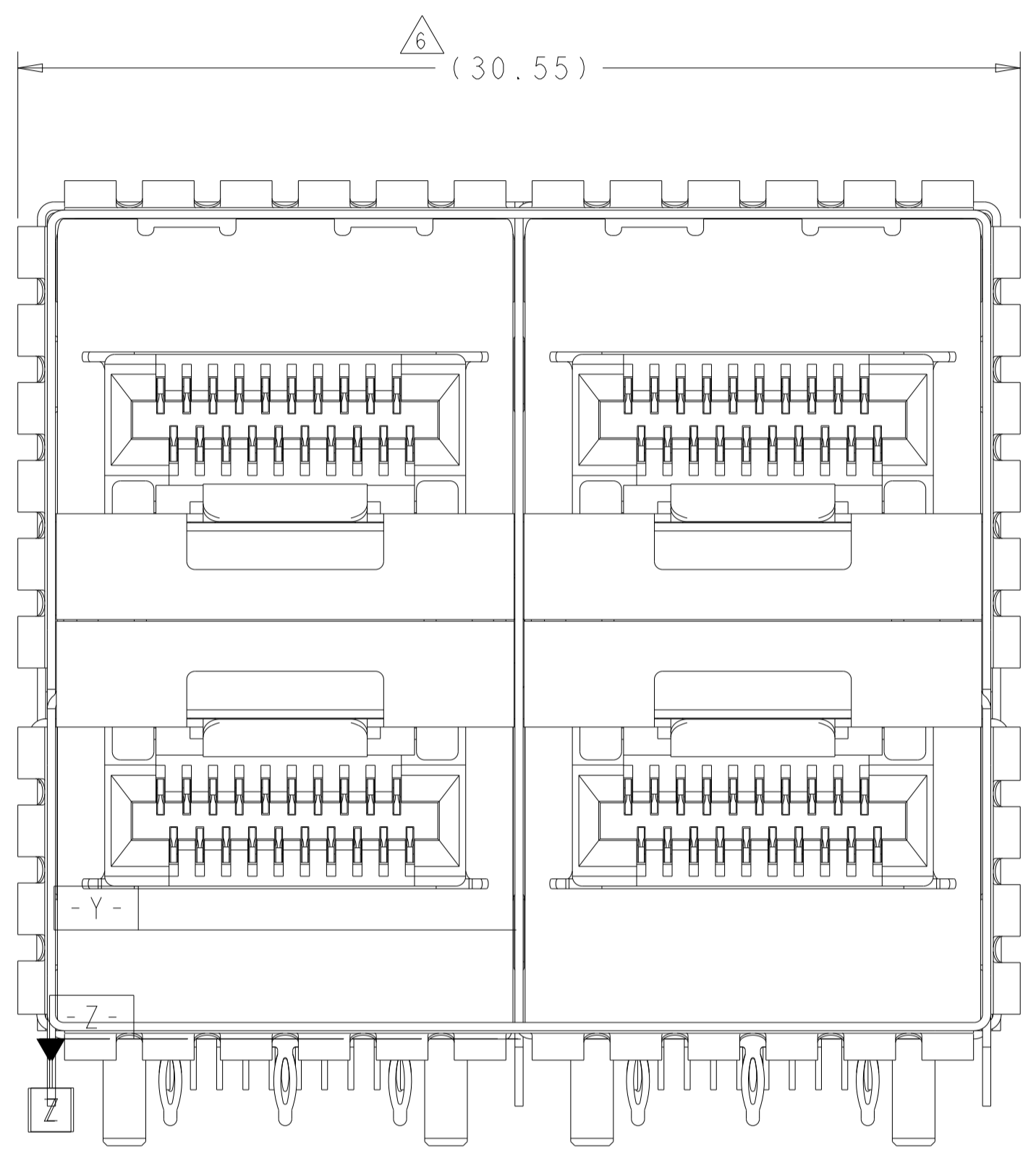


THIS DRAWING IS A CONTROLLED DOCUMENT.

|  |                               |                                |  |
|--|-------------------------------|--------------------------------|--|
| OWN: M. E. CONNER 06OCT2011            | CHK: M. D. MORRISON 06OCT2011 | APVD: M. D. MORRISON 07OCT2011 | NAME: RECEPTACLE ASSEMBLY, 2X2, STACKED, zSFP+ |
| DIMENSIONS: mm                         |                               |                                | RESTRICTED TO: -                               |
| TOLERANCES UNLESS OTHERWISE SPECIFIED: |                               |                                | SIZE: A1                                       |
| 0 PLC ±                                | 1 PLC ±                       | 2 PLC ±                        | CAGE CODE: 2198325                             |
| 3 PLC ±                                | 4 PLC ±                       | ANGLES ±                       | DRAWING NO: 108-2481                           |
| MATERIAL: SEE NOTES                    |                               |                                | WEIGHT: -                                      |
| FINISH: SEE NOTES                      |                               |                                | SCALE: 5:1                                     |
| Customer Drawing                       |                               |                                | SHEET 2 OF 6                                   |
|  |                               |                                | REV: C1  |

4805 (3/11)

| LOC | DIST | REVISIONS |     |             |      |     |      |
|-----|------|-----------|-----|-------------|------|-----|------|
| GP  | 00   | P         | LTN | DESCRIPTION | DATE | DWN | APVD |
|     |      | -         |     | SEE SHEET 1 |      |     |      |
|     |      |           |     |             |      |     |      |
|     |      |           |     |             |      |     |      |



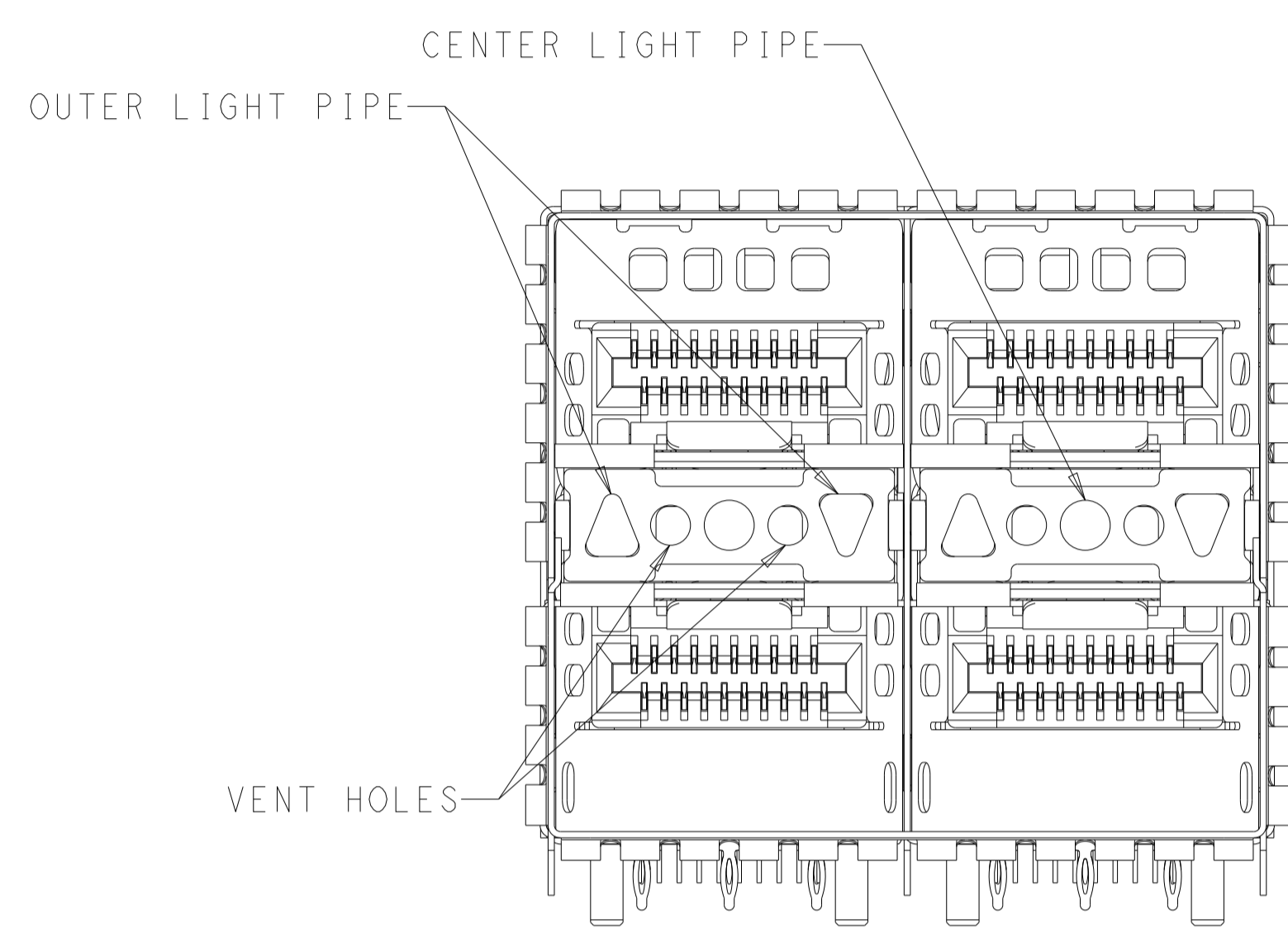
2198325-5 THRU 2198325-8, 1-2198325-9, 2-2198325-0  
 EMI SPRINGS ONLY  
 SCALE 6:1

THIS DRAWING IS A CONTROLLED DOCUMENT.

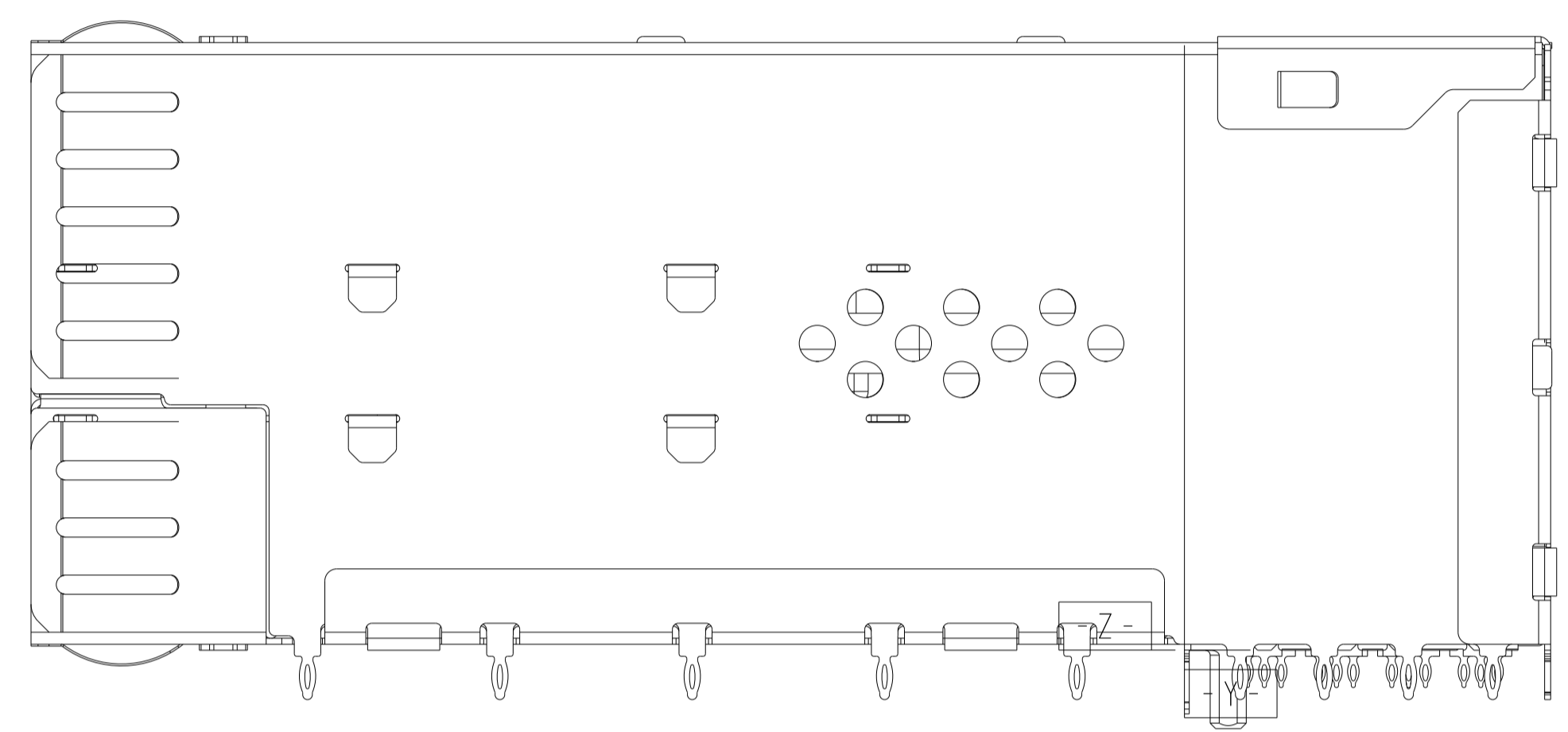
|                       |   |                                     |   |
|-----------------------|---|-------------------------------------|---|
| DIMENSIONS:           | TOLERANCES UNLESS OTHERWISE SPECIFIED:                          | DWN<br>M. E. CONNER<br>06OCT2011    |   |
| mm                    | 0 PLC ±<br>1 PLC ±<br>2 PLC ±<br>3 PLC ±<br>4 PLC ±<br>ANGLES ± | CHK<br>M. D. MORRISON<br>06OCT2011  |   |
| MATERIAL<br>SEE NOTES | FINISH<br>SEE NOTES   | APVD<br>M. D. MORRISON<br>07OCT2011 | NAME<br>RECEPTACLE ASSEMBLY, 2X2,<br>STACKED, zSFP+ |
|                       |   | PRODUCT SPEC<br>108-2481            | SIZE<br>A100779                                     |
|                       |   | APPLICATION SPEC<br>114-13319       | DRAWING NO<br>C=2198325                             |
|                       |   | WEIGHT                              | RESTRICTED TO                                       |
|                       |   | Customer Drawing                    | SCALE 4:1 SHEET 3 OF 6 REV C1                       |

| LOC | DIST | REVISIONS |     |             |      |     |      |
|-----|------|-----------|-----|-------------|------|-----|------|
| GP  | 00   | P         | LYR | DESCRIPTION | DATE | DMN | APVD |
|     |      | -         |     | SEE SHEET 1 |      |     |      |
|     |      |           |     |             |      |     |      |
|     |      |           |     |             |      |     |      |

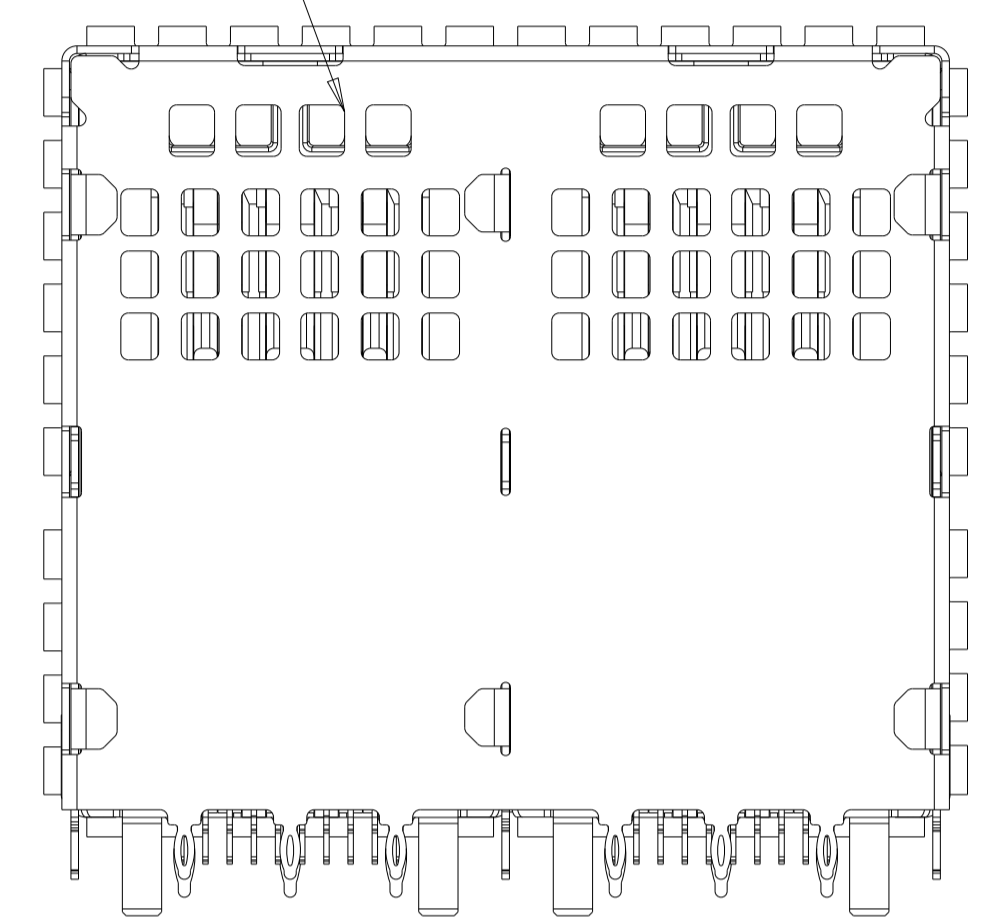
3-2198325-2 AIR FLOW ENHANCE VERSION  
 UNMARKED DIMENSION SAME AS 2198325-5



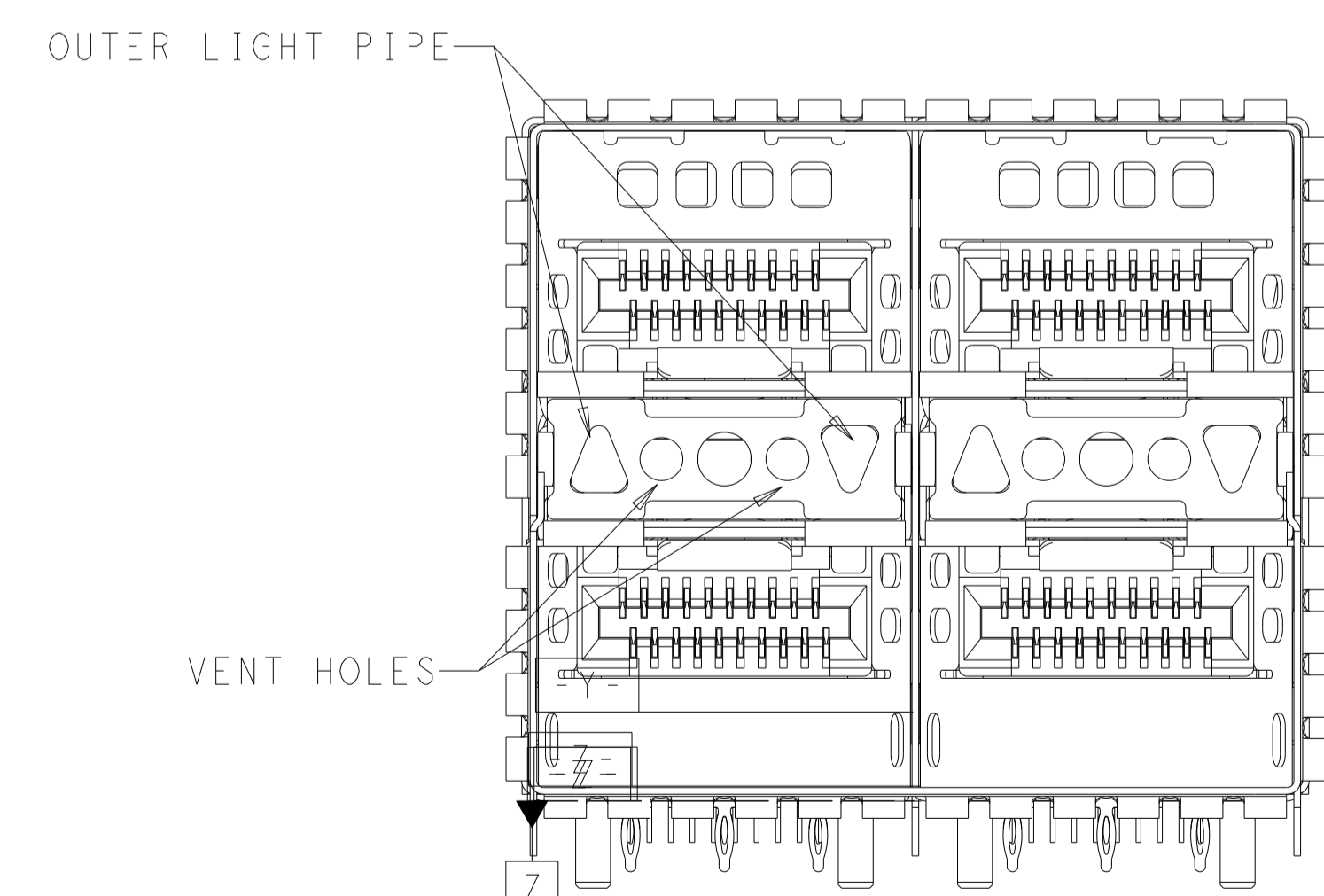
SCALE 4:1



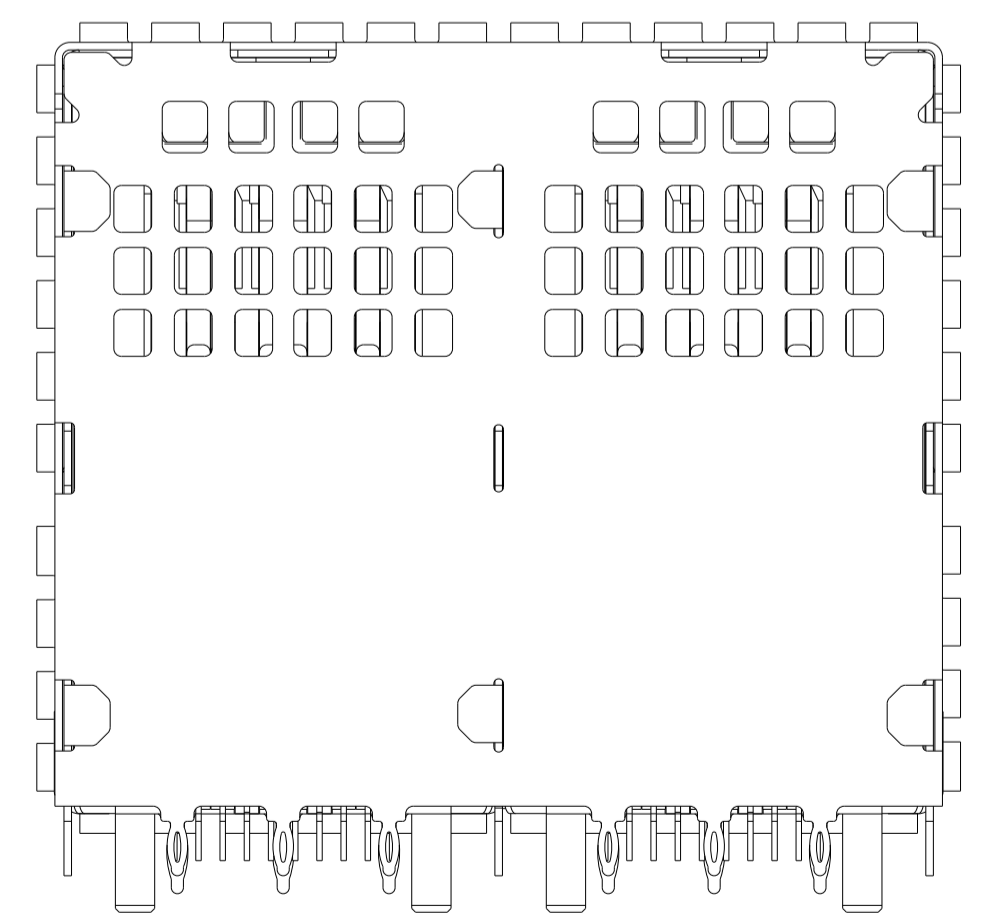
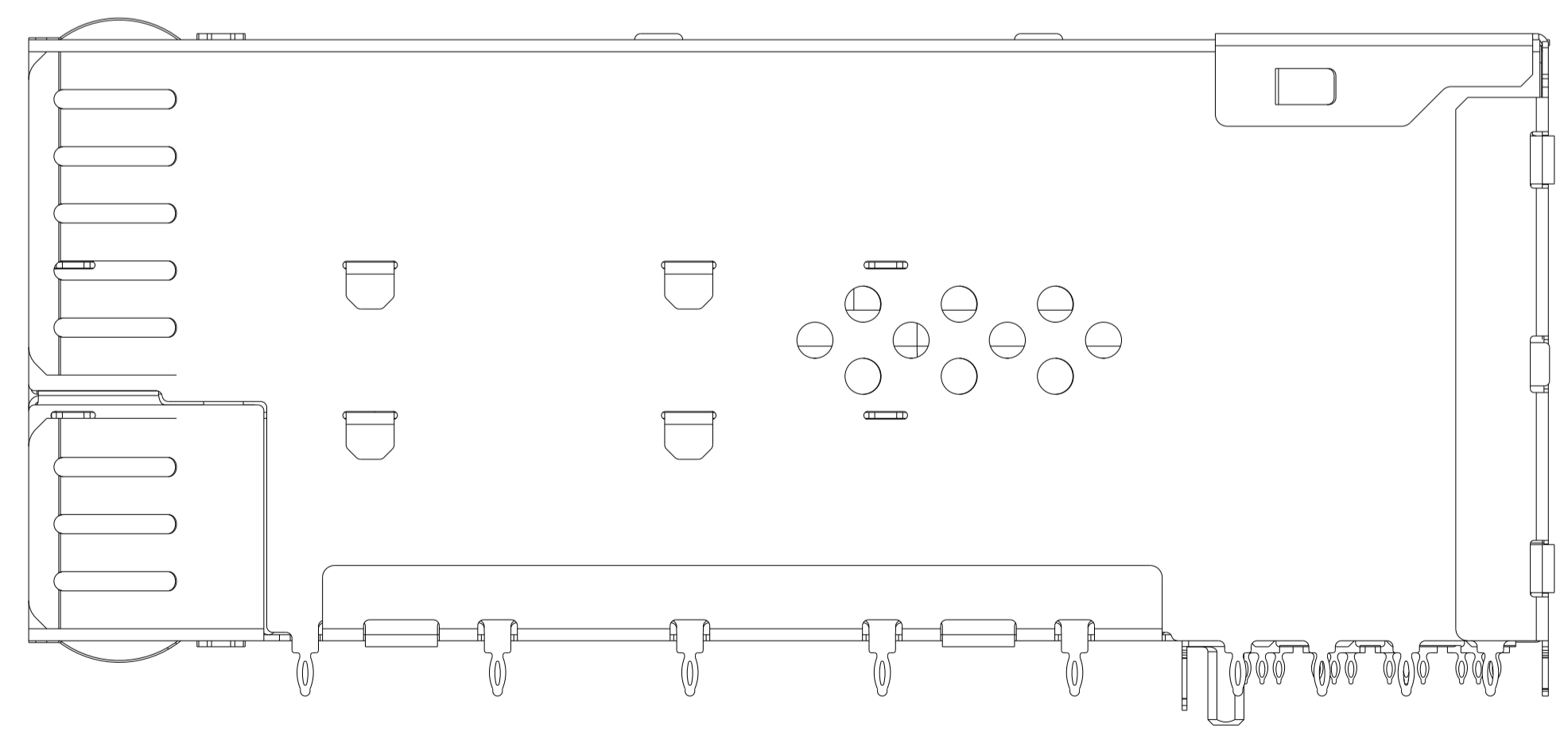
VENT HOLES PARTERN



3-2198325-3 AIR FLOW ENHANCE VERSION  
 UNMARKED DIMENSION SAME AS 2198325-5

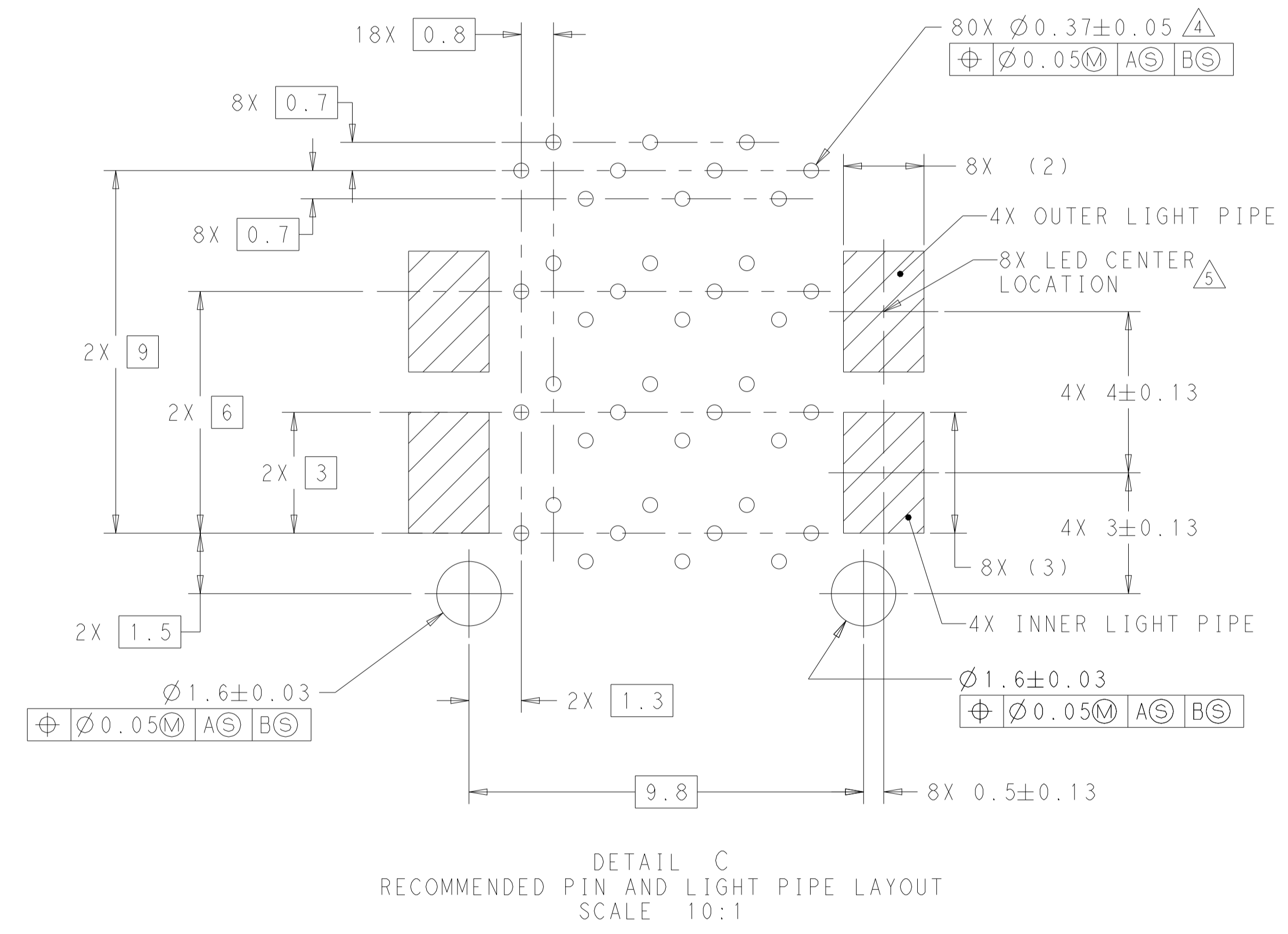
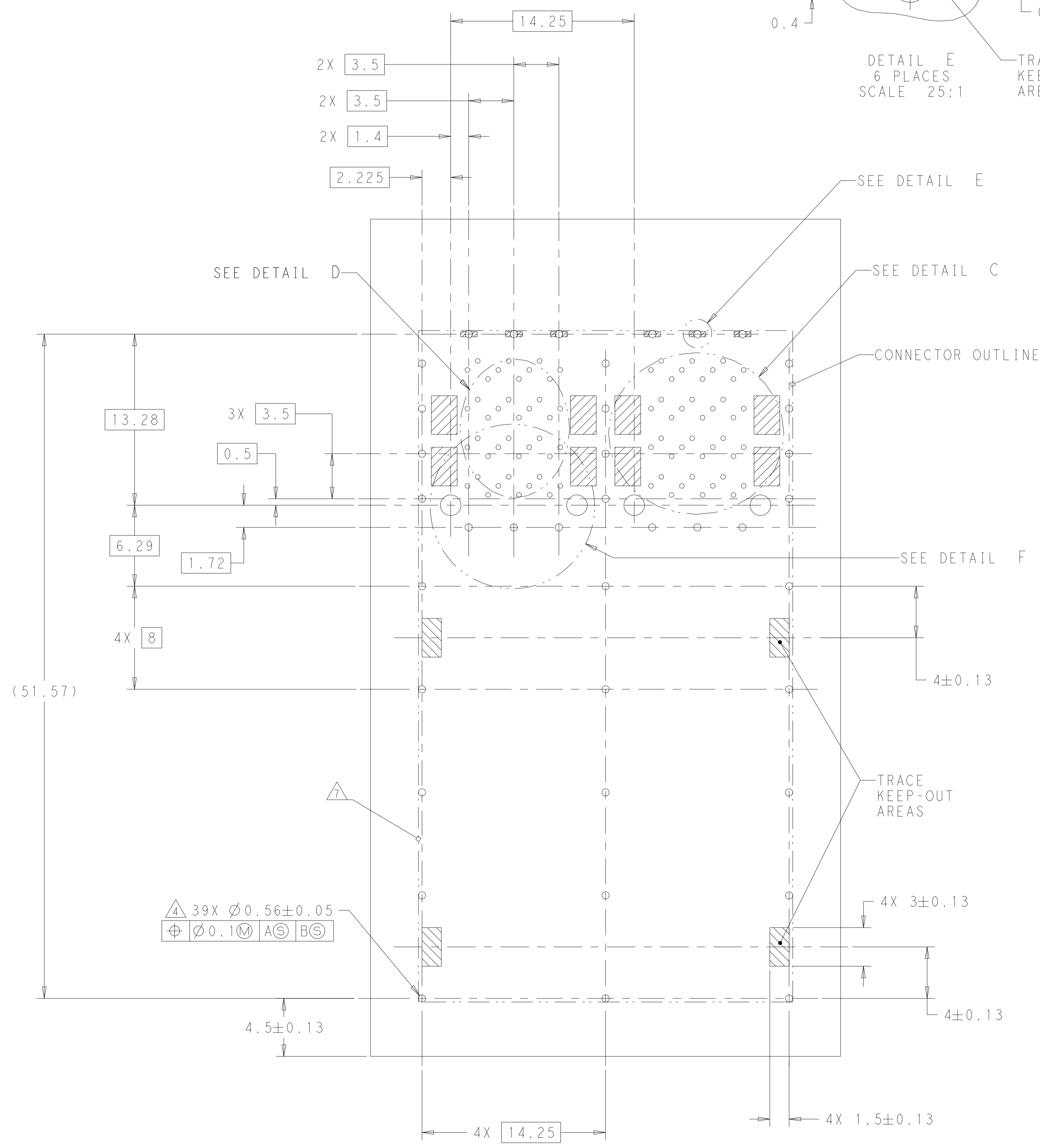
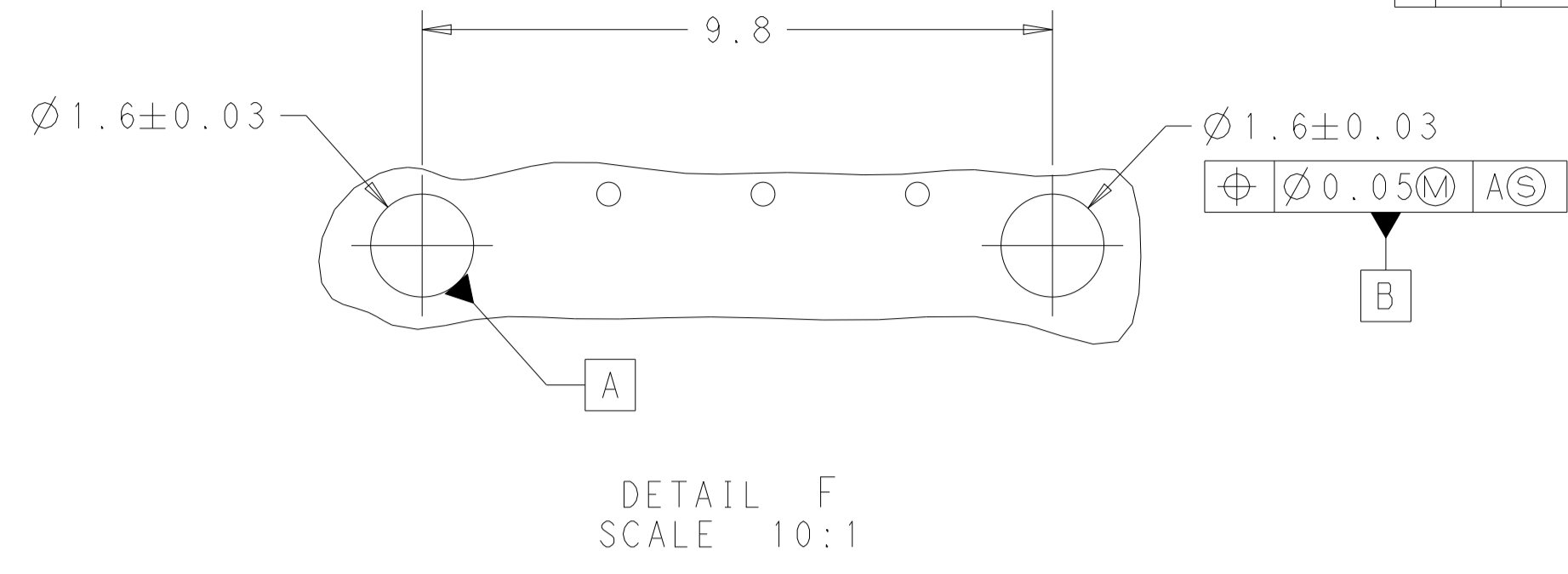
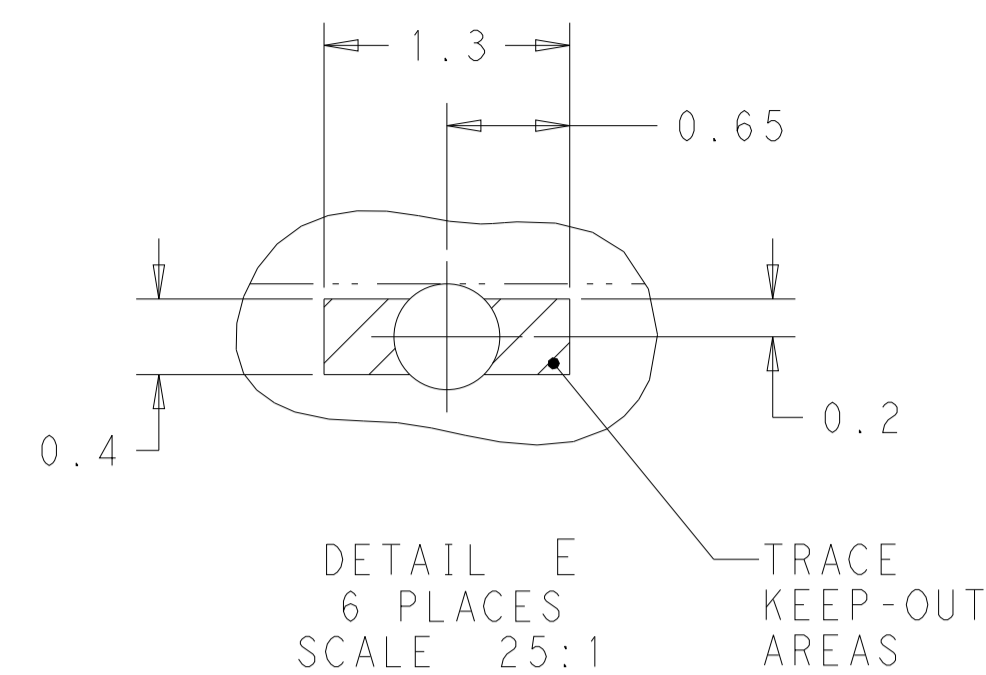


SCALE 4:1



|  |  |   |   |
|--|--|---|---|
| THIS DRAWING IS A CONTROLLED DOCUMENT.   |  | DMN M.E. CONNER 06OCT2011   | TE Connectivity<br>RECEPTACLE ASSEMBLY, 2X2,<br>STACKED, zSFP+        |
| DIMENSIONS: mm   |  | CHK M.D. MORRISON 06OCT2011   |   |
| TOLERANCES UNLESS OTHERWISE SPECIFIED:<br>0 PLC ±.<br>1 PLC ±.<br>2 PLC ±.<br>3 PLC ±.<br>4 PLC ±.<br>ANGLES ±.<br>FINISH ±. |  | APVD M.D. MORRISON 07OCT2011<br>PRODUCT SPEC<br>108-2481<br>APPLICATION SPEC<br>114-13319 | NAME<br>SIZE CAGE CODE DRAWING NO<br>RESTRICTED TO                    |
| MATERIAL SEE NOTES   |  | WEIGHT  | A100779C=2198325<br>Customer Drawing<br>SCALE 4:1 SHEET 4 OF 6 REV C1 |

| LOC |    | DIST |     | REVISIONS   |      |     |      |
|-----|----|------|-----|-------------|------|-----|------|
| GP  | 00 | P    | LTM | DESCRIPTION | DATE | DWN | APVD |
|     |    | -    |     | SEE SHEET 1 |      |     |      |



|   |  |  |                         |
|---|--|--|-------------------------|
| THIS DRAWING IS A CONTROLLED DOCUMENT.                          |  | DWN: M.E. CONNER 06OCT2011                     | TE Connectivity         |
| DIMENSIONS: mm  |  | CHK: M.D. MORRISON 06OCT2011                   |                         |
| TOLERANCES UNLESS OTHERWISE SPECIFIED:                          |  | APVD: M.D. MORRISON 07OCT2011                  |                         |
| 0 PLC ±<br>1 PLC ±<br>2 PLC ±<br>3 PLC ±<br>4 PLC ±<br>ANGLES ± |  | NAME: RECEPTACLE ASSEMBLY, 2X2, STACKED, zSFP+ |                         |
| MATERIAL: SEE NOTES   |  | FINISH: SEE NOTES                              | RESTRICTED TO:          |
|   |  | WEIGHT: -                                      | SIZE: A1                |
|   |  | Customer Drawing                               | CAGE CODE: 114-13319    |
|   |  |  | DRAWING NO: 108-2481    |
|   |  |  | PRODUCT SPEC: 114-13319 |
|   |  |  | APPLICATION SPEC: -     |
|   |  |  | SCALE: 4:1              |
|   |  |  | SHEET: 5 OF 6           |
|   |  |  | REV: C1                 |