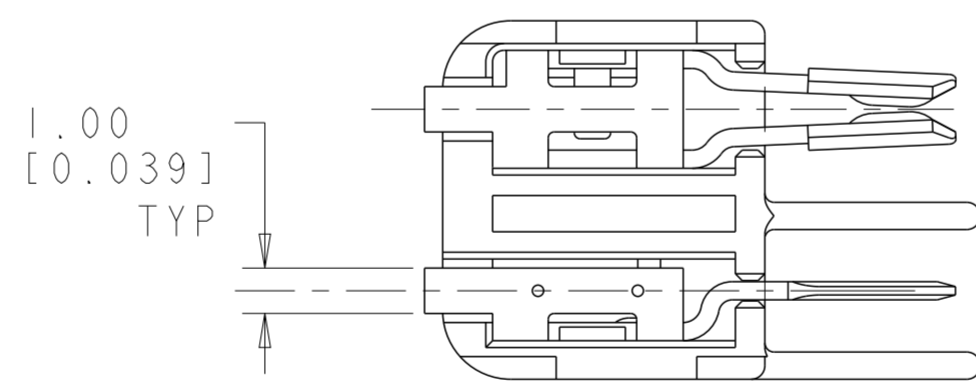
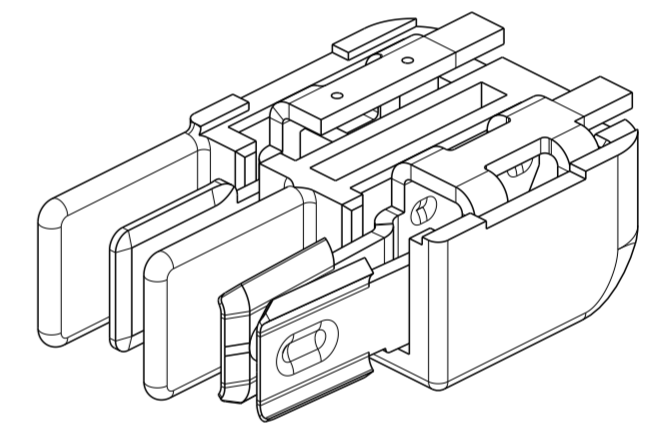
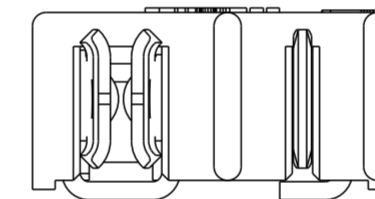
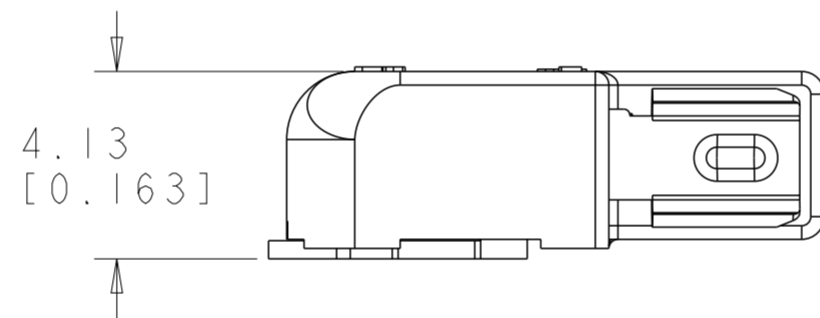
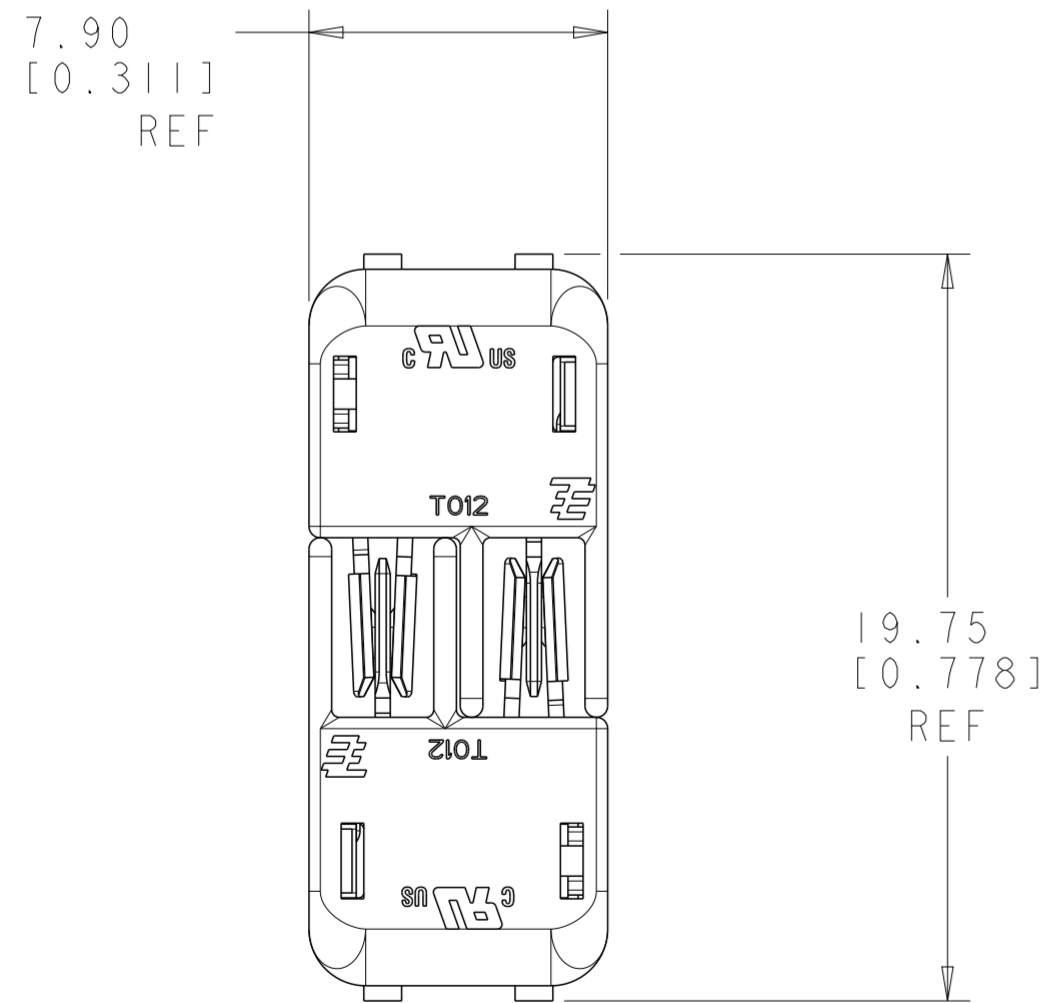
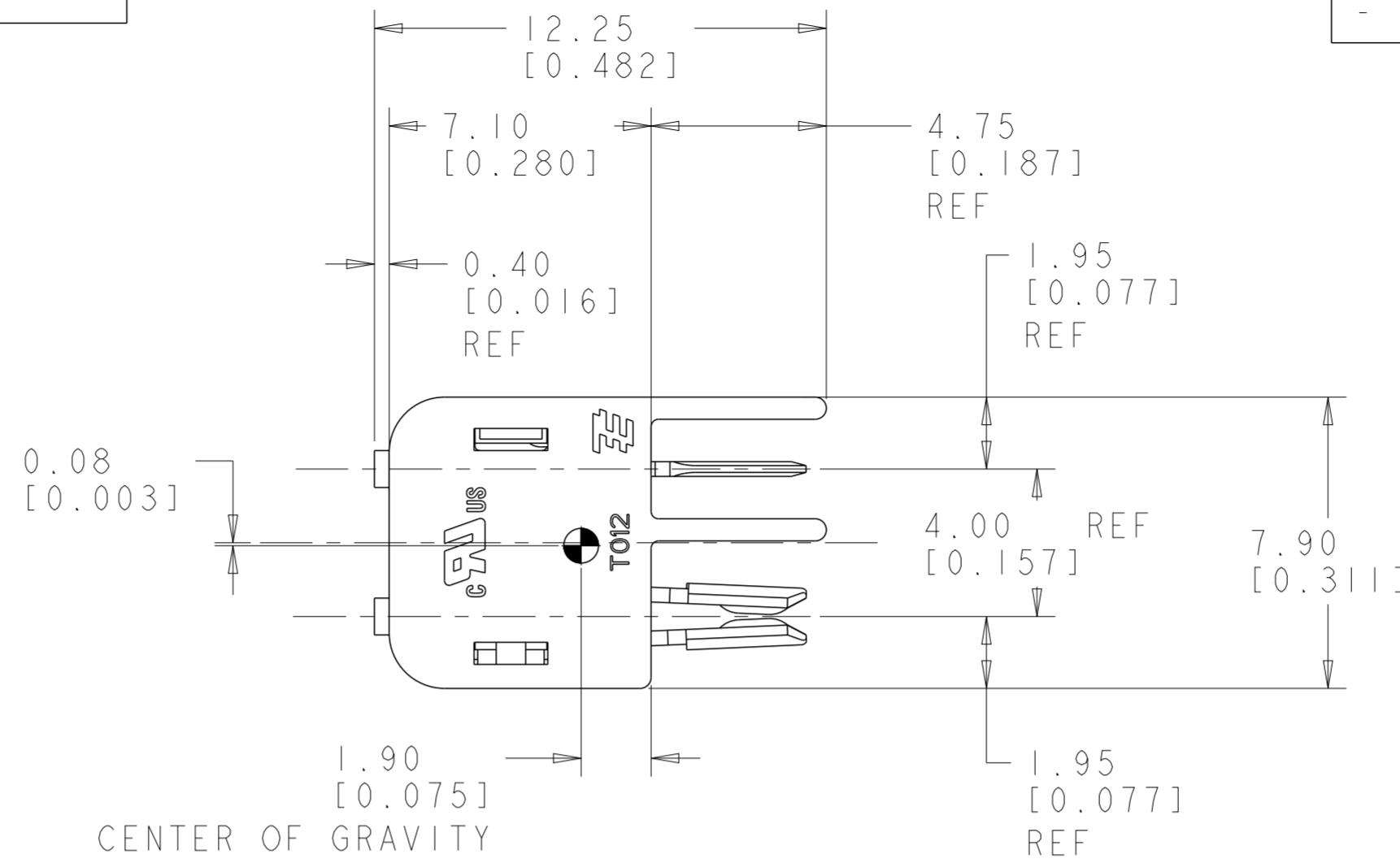


THIS DRAWING IS UNPUBLISHED. RELEASED FOR PUBLICATION 20
 © COPYRIGHT 20 BY - ALL RIGHTS RESERVED.

LOC		DIST		REVISIONS			
P	LTR	DESCRIPTION	DATE	DWN	APVD		
	A	REVISED PER ECR-16-005567	19APR2016	RS	DD		
	AI	REVISED PER ECR-16-010299	20JUL2016	RS	PO		

NOTES:

- 1 MATERIALS AND FINISH
 - HOUSING: LCP
 - CONTACTS: COPPER ALLOY, FINISH: TIN AND SELECT GOLD
- 2 PRODUCT TO COMPLY WITH DIRECTIVE 2002/95/EC (ROHS)
- 3 PACKAGED IN TAPE AND REEL



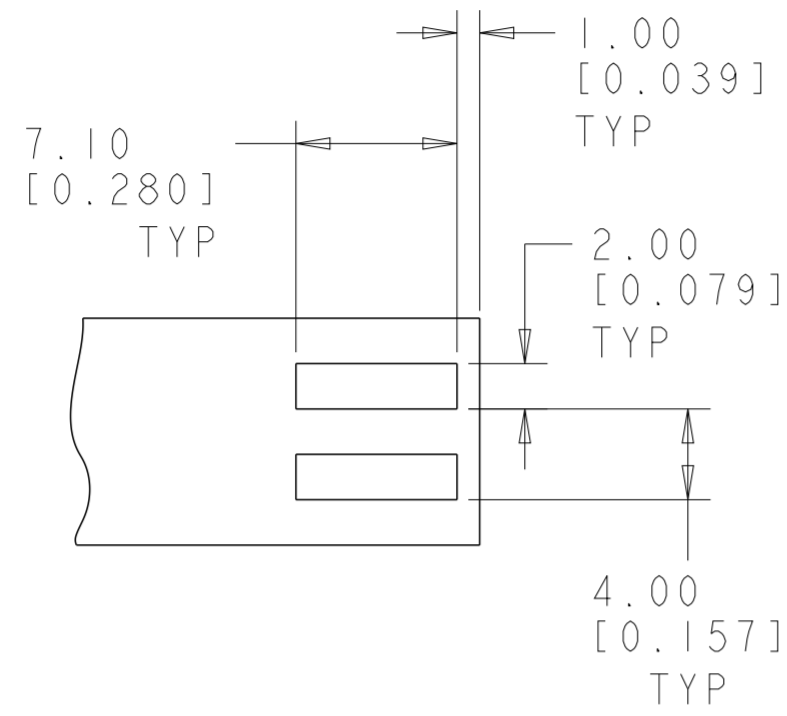
6	BLACK	1-2213613-3
4	BLACK	1-2213613-2
2	BLACK	1-2213613-1
6	NATURAL	2213613-3
4	NATURAL	2213613-2
2	NATURAL	2213613-1
POSITION		COLOR
POSITION		PART NO.

MATED PAIRS SHOWN FOR REFERENCE

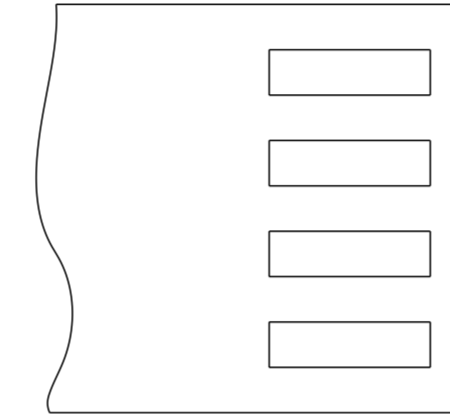
THIS DRAWING IS A CONTROLLED DOCUMENT.		DWN RAVLS 17JAN2015	TE Connectivity	
DIMENSIONS: mm		CHK D. DECKER 17JAN2015		
TOLERANCES UNLESS OTHERWISE SPECIFIED:		APVD D. DECKER 17JAN2015	NAME CONNECTOR ASSEMBLY, HERMAPHRODITIC BLADE AND RECEPTACLE	
0 PLC ± 1 PLC ± 2 PLC ±0.13 3 PLC ±0.013 4 PLC ± ANGLES ±1° FINISH		PRODUCT SPEC 108-2342	SIZE A200779	
MATERIAL		APPLICATION SPEC 114-13225	DRAWING NO C-2213613	
- -		WEIGHT -	RESTRICTED TO -	
CUSTOMER DRAWING			SCALE 6:1	SHEET 1 OF 2

THIS DRAWING IS UNPUBLISHED. RELEASED FOR PUBLICATION 20
 © COPYRIGHT 20 BY - ALL RIGHTS RESERVED.

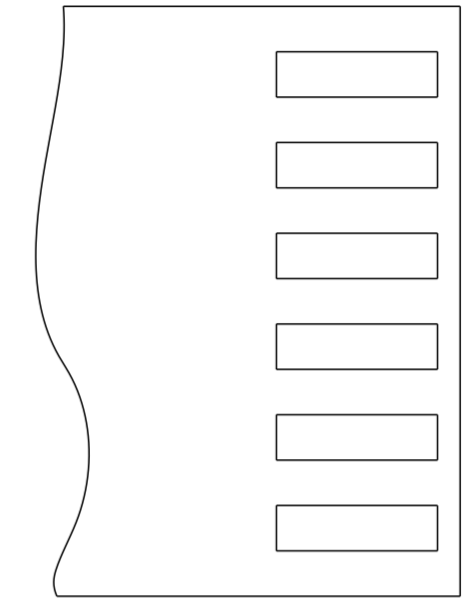
LOC		DIST		REVISIONS				
P	LTR	DESCRIPTION			DATE	DWN	APVD	
-	-	SEE SHEET 1			-	-	-	



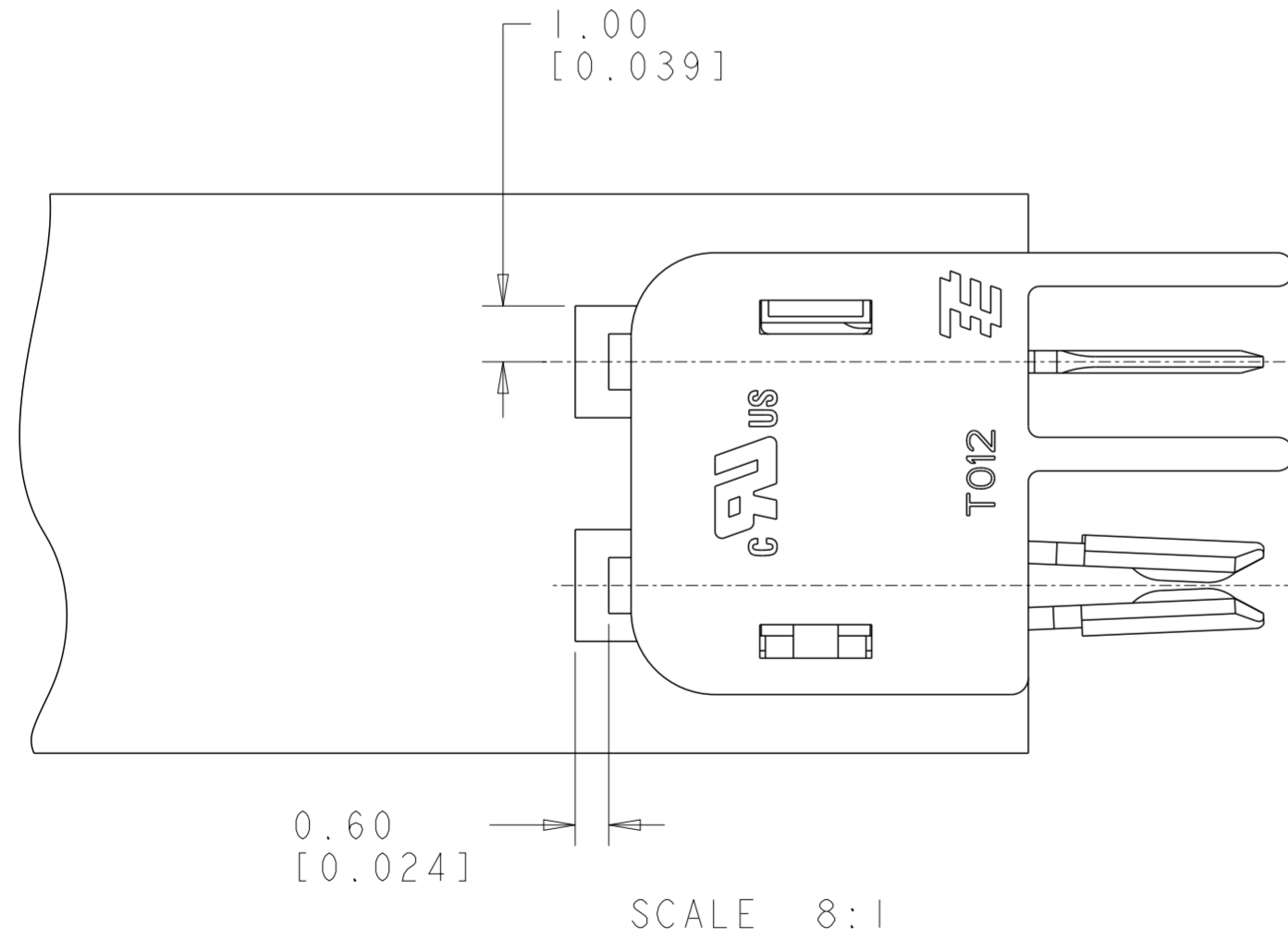
RECOMMENDED PCB LAYOUT FOR 2213613-1 & 1-2213613-1



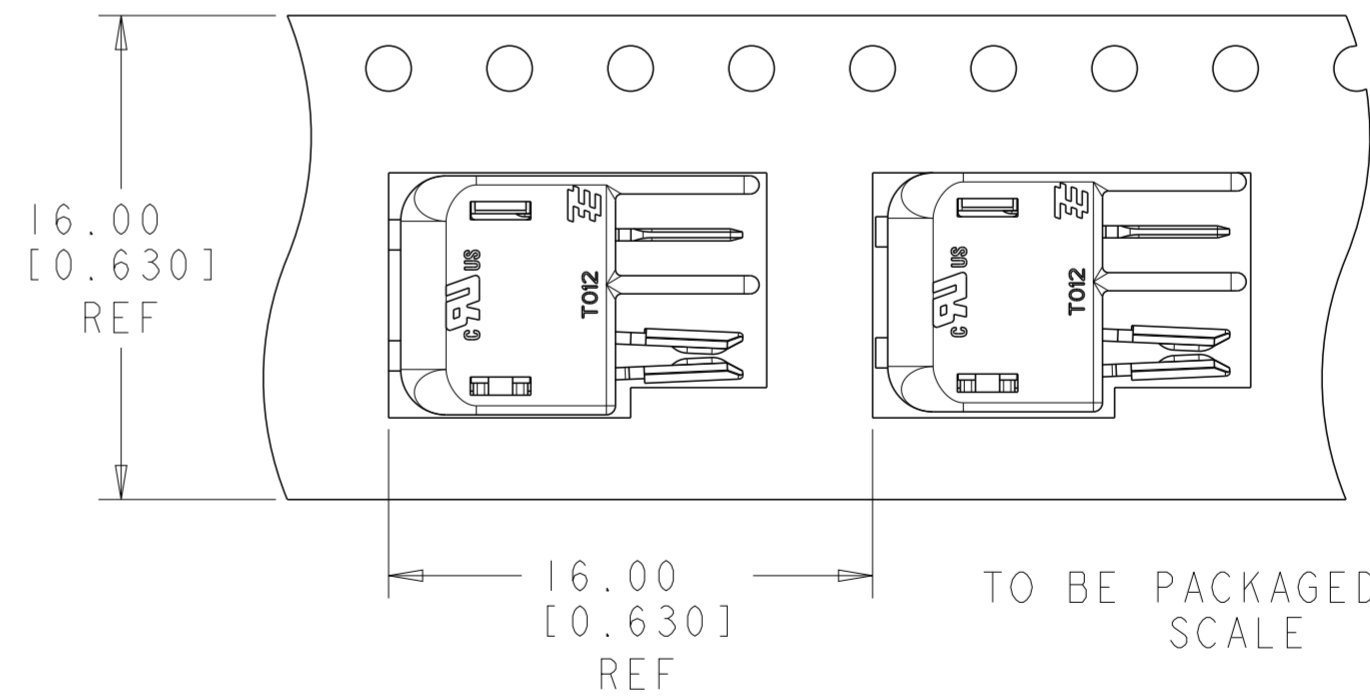
RECOMMENDED PCB LAYOUT FOR 2213613-2 & 1-2213613-2




RECOMMENDED PCB LAYOUT FOR 2213613-3 & 1-2213613-3



SCALE 8:1



TO BE PACKAGED AS SHOWN SCALE 4:1

THIS DRAWING IS A CONTROLLED DOCUMENT.		DWN RAVLS 17JAN2015	 TE Connectivity	
DIMENSIONS: mm		CHK D. DECKER 17JAN2015		
TOLERANCES UNLESS OTHERWISE SPECIFIED:		APVD D. DECKER 17JAN2015	NAME CONNECTOR ASSEMBLY, HERMAPHRODITIC BLADE AND RECEPTACLE	
0 PLC ± 1 PLC ± 2 PLC ±0.13 3 PLC ±0.013 4 PLC ± ANGLES ±1° FINISH		PRODUCT SPEC 108-2342	SIZE -	
MATERIAL -		APPLICATION SPEC 114-13225	CAGE CODE A200779	DRAWING NO C-2213613
		WEIGHT -	RESTRICTED TO -	
		CUSTOMER DRAWING	SCALE 4:1	SHEET 2 OF 2