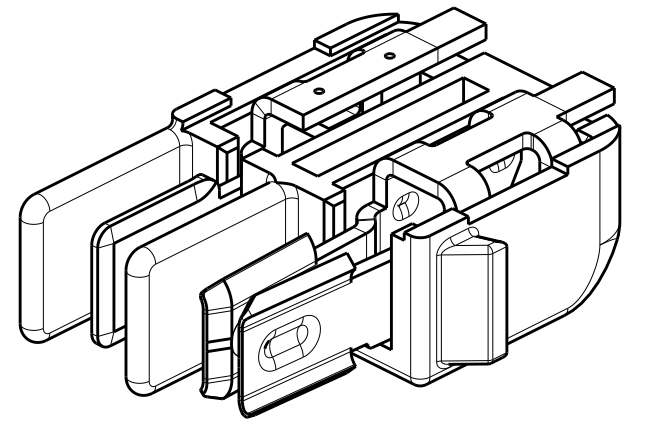
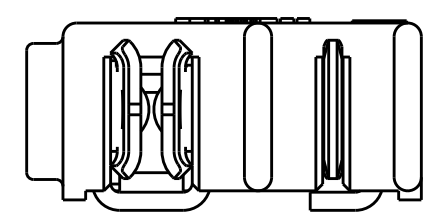
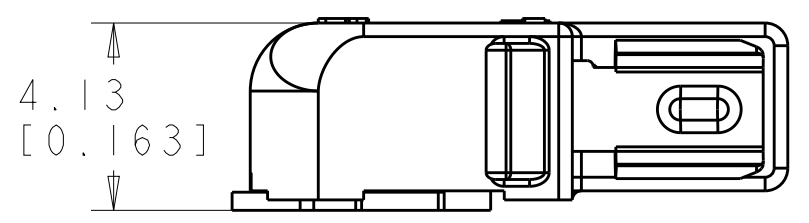
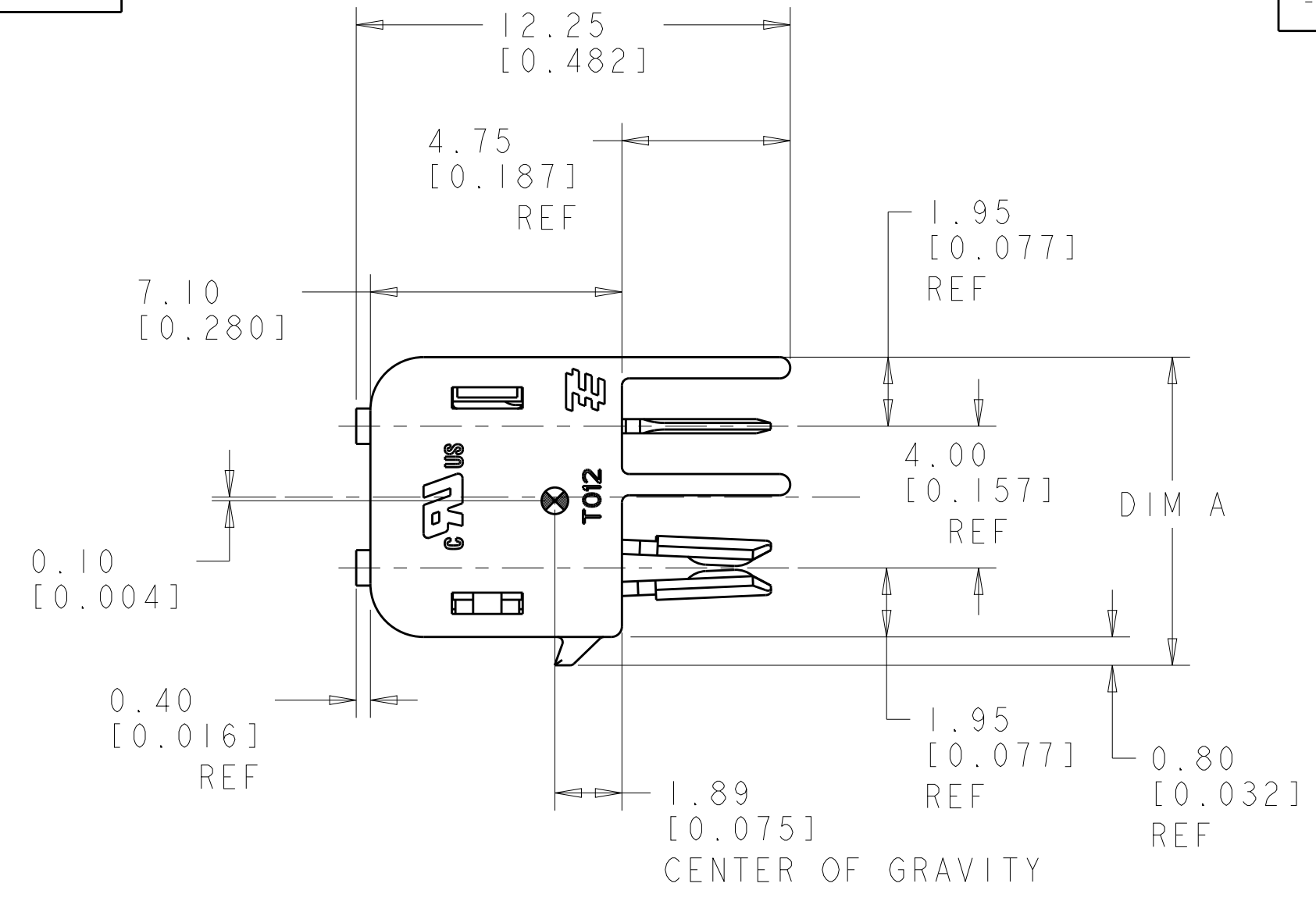


THIS DRAWING IS UNPUBLISHED. RELEASED FOR PUBLICATION 20
 © COPYRIGHT 20 BY - ALL RIGHTS RESERVED.

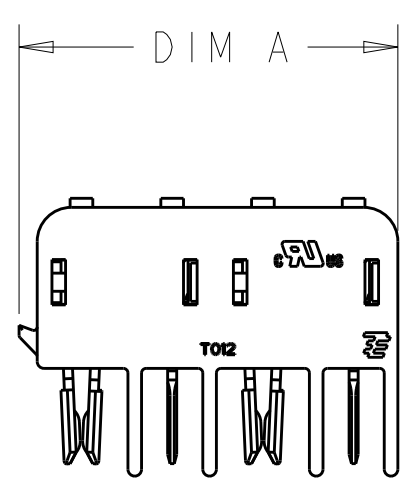
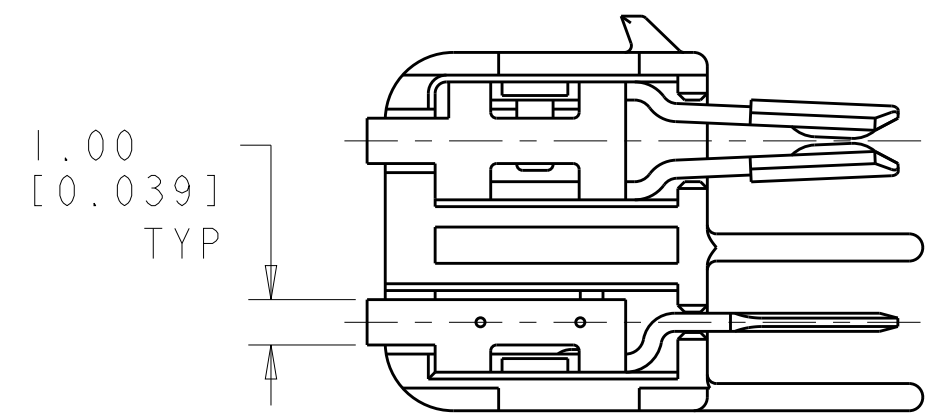
LOC		DIST		REVISIONS			
P	LTR	DESCRIPTION	DATE	DWN	APVD		
	A	REVISED PER ECR-16-005567	19APR2016	RS	DD		
	AI	REVISED PER ECR-16-010299	20JUL2016	RS	PO		

NOTES:

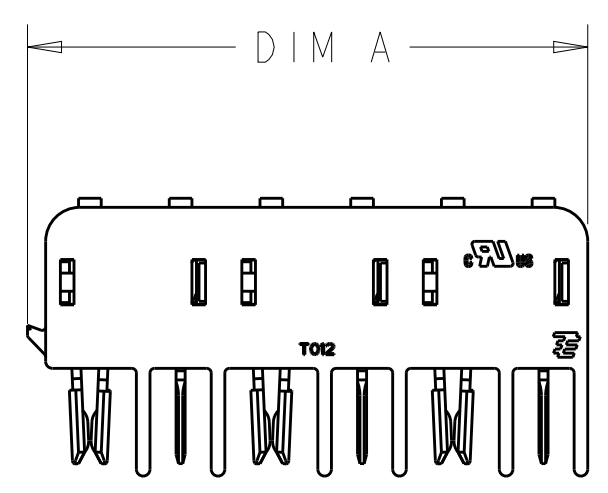
- 1. MATERIALS AND FINISH
 - HOUSING: LCP
 - CONTACTS: COPPER ALLOY, FINISH: TIN AND SELECT GOLD
- 2. PRODUCT TO COMPLY WITH DIRECTIVE 2002/95/EC (ROHS)
- 3. PACKAGED IN TAPE AND REEL



2213614-1/
1-2213614-1
SHOWN



2213614-2/
1-2213614-2
SCALE 3:1



2213614-3/
1-2213614-3
SCALE 3:1

POSITION	COLOR	DIM A	PART NO.
6	BLACK	24.70	1-2213614-3
4	BLACK	16.70	1-2213614-2
2	BLACK	8.70	1-2213614-1
6	NATURAL	24.70	2213614-3
4	NATURAL	16.70	2213614-2
2	NATURAL	8.70	2213614-1

THIS DRAWING IS A CONTROLLED DOCUMENT.

DIMENSIONS:	TOLERANCES UNLESS OTHERWISE SPECIFIED:	DWN	RAVLS	17JAN2015
mm	0 PLC ±	CHK	D. DECKER	17JAN2015
	1 PLC ±0.13	APVD	D. DECKER	17JAN2015
	2 PLC ±0.13	PRODUCT SPEC		108-2342
	3 PLC ±0.013	APPLICATION SPEC		114-13225
	4 PLC ±	WEIGHT		-
	ANGLES ±1°	CUSTOMER DRAWING		
	FINISH	SCALE	6:1	SHEET 1 OF 2

STE TE Connectivity

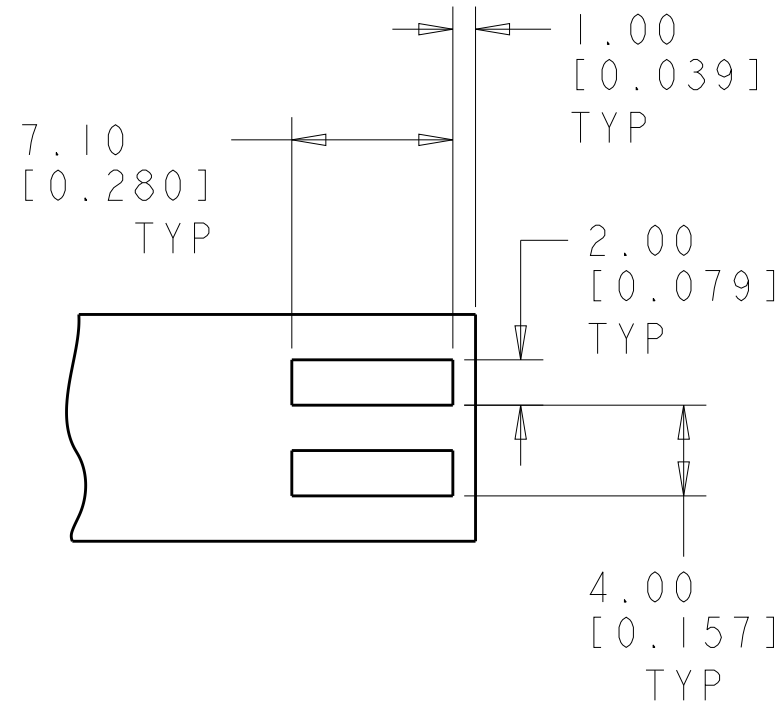
NAME: CONNECTOR ASSEMBLY, HERMAPHRODITIC BLADE AND RECEPTACLE, WITH LATCH

SIZE: A2 CAGE CODE: 00779 DRAWING NO: C-2213614 RESTRICTED TO: -

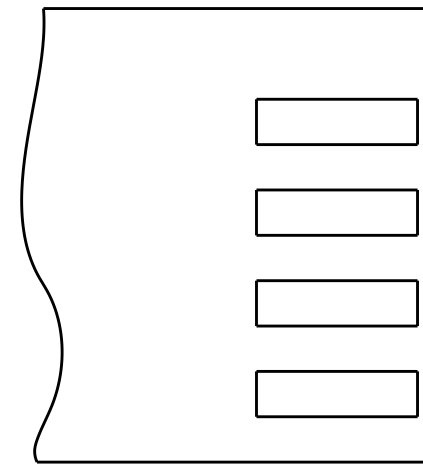
REV: AI

THIS DRAWING IS UNPUBLISHED. RELEASED FOR PUBLICATION 20
 © COPYRIGHT 20 BY - ALL RIGHTS RESERVED.

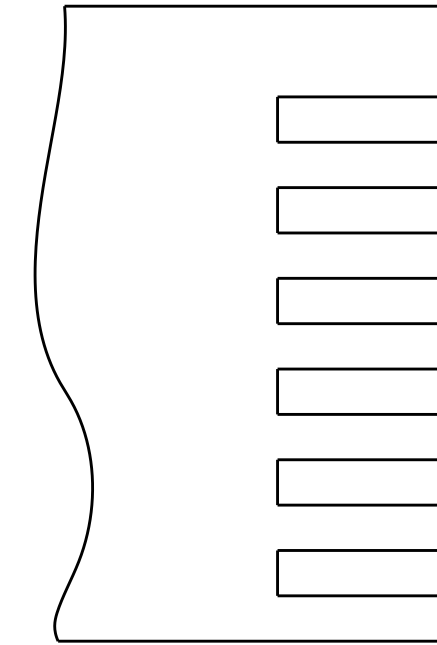
LOC		DIST		REVISIONS			
P	LTR	DESCRIPTION	DATE	DWN	APVD		
-	-	SEE SHEET 1	-	-	-		



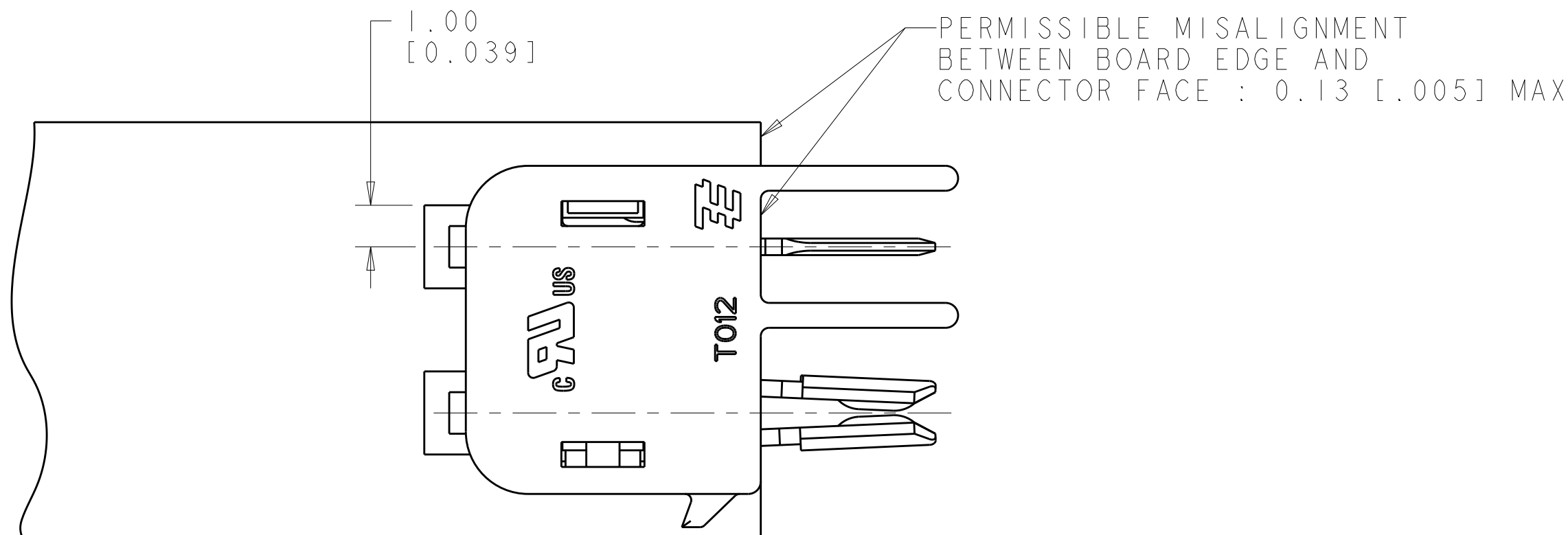
RECOMMENDED PCB LAYOUT FOR 2213614-1 & 1-2213614-1



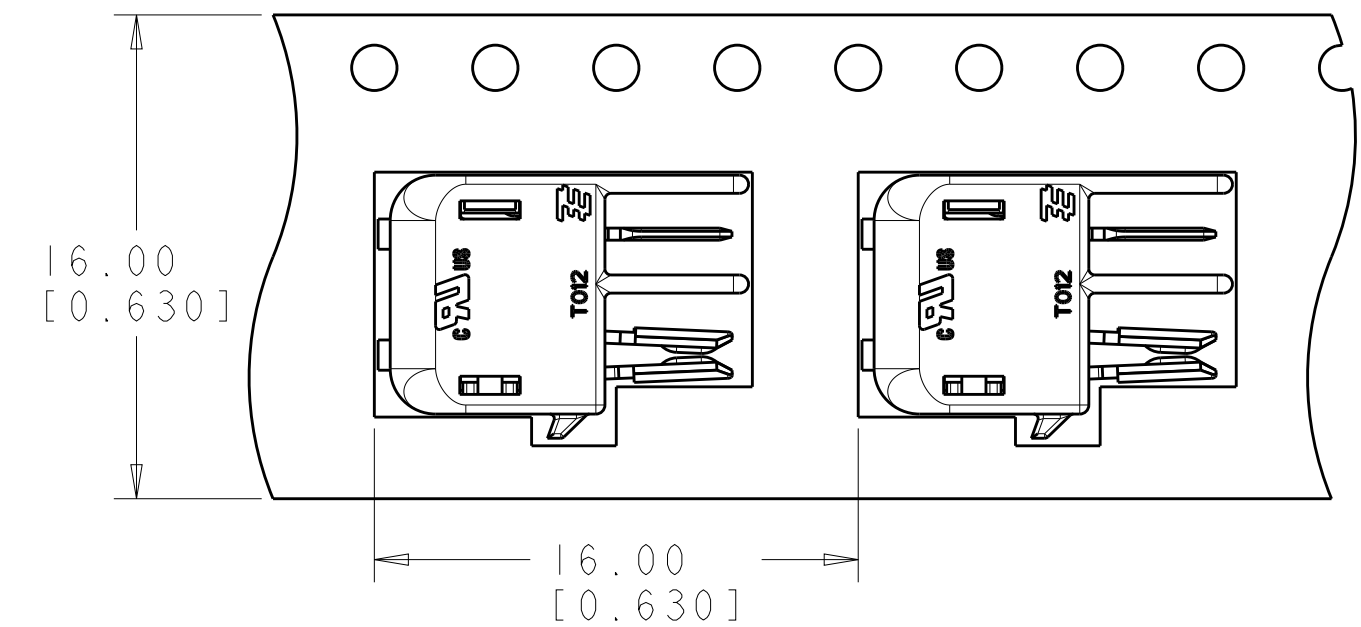
RECOMMENDED PCB LAYOUT FOR 2213614-2 & 1-2213614-2



RECOMMENDED PCB LAYOUT FOR 2213614-3 & 1-2213614-3



SCALE 8:1



TO BE PACKAGED AS SHOWN SCALE 4:1

THIS DRAWING IS A CONTROLLED DOCUMENT.		DWN RAVLS 17 JAN 2015	TE Connectivity	
DIMENSIONS: mm		CHK D. DECKER 17 JAN 2015		
TOLERANCES UNLESS OTHERWISE SPECIFIED:		APVD D. DECKER 17 JAN 2015	NAME CONNECTOR ASSEMBLY, HERMAPHRODITIC BLADE AND RECEPTACLE, WITH LATCH	
0 PLC ± 1 PLC ± 2 PLC ±0.13 3 PLC ±0.013 4 PLC ± ANGLES ±1° FINISH		PRODUCT SPEC 108-2342	SIZE A200779	DRAWING NO C-2213614
MATERIAL		APPLICATION SPEC 114-13225	RESTRICTED TO	
		WEIGHT -	SCALE 3:1	SHEET 2 OF 2
		CUSTOMER DRAWING	REV A1	