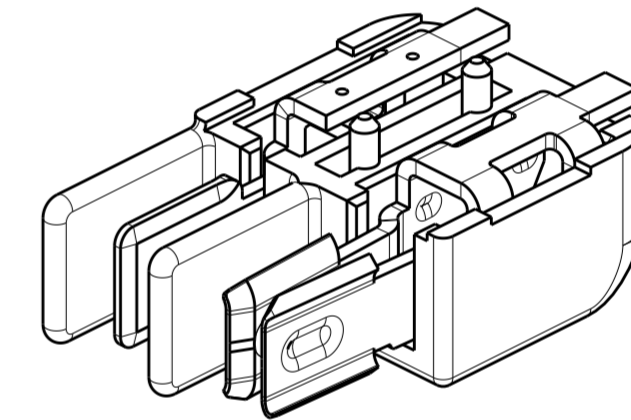
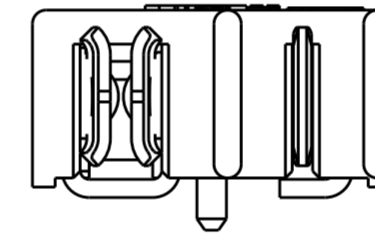
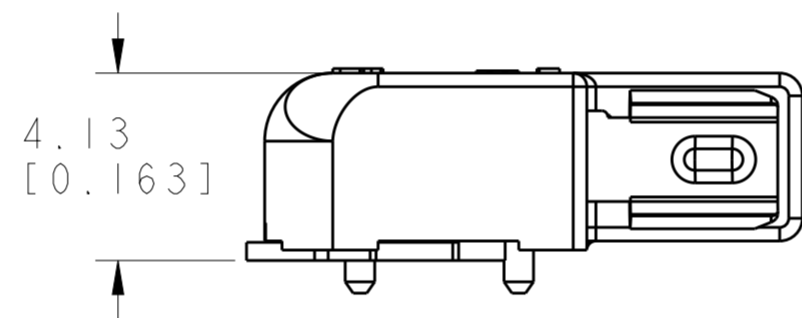
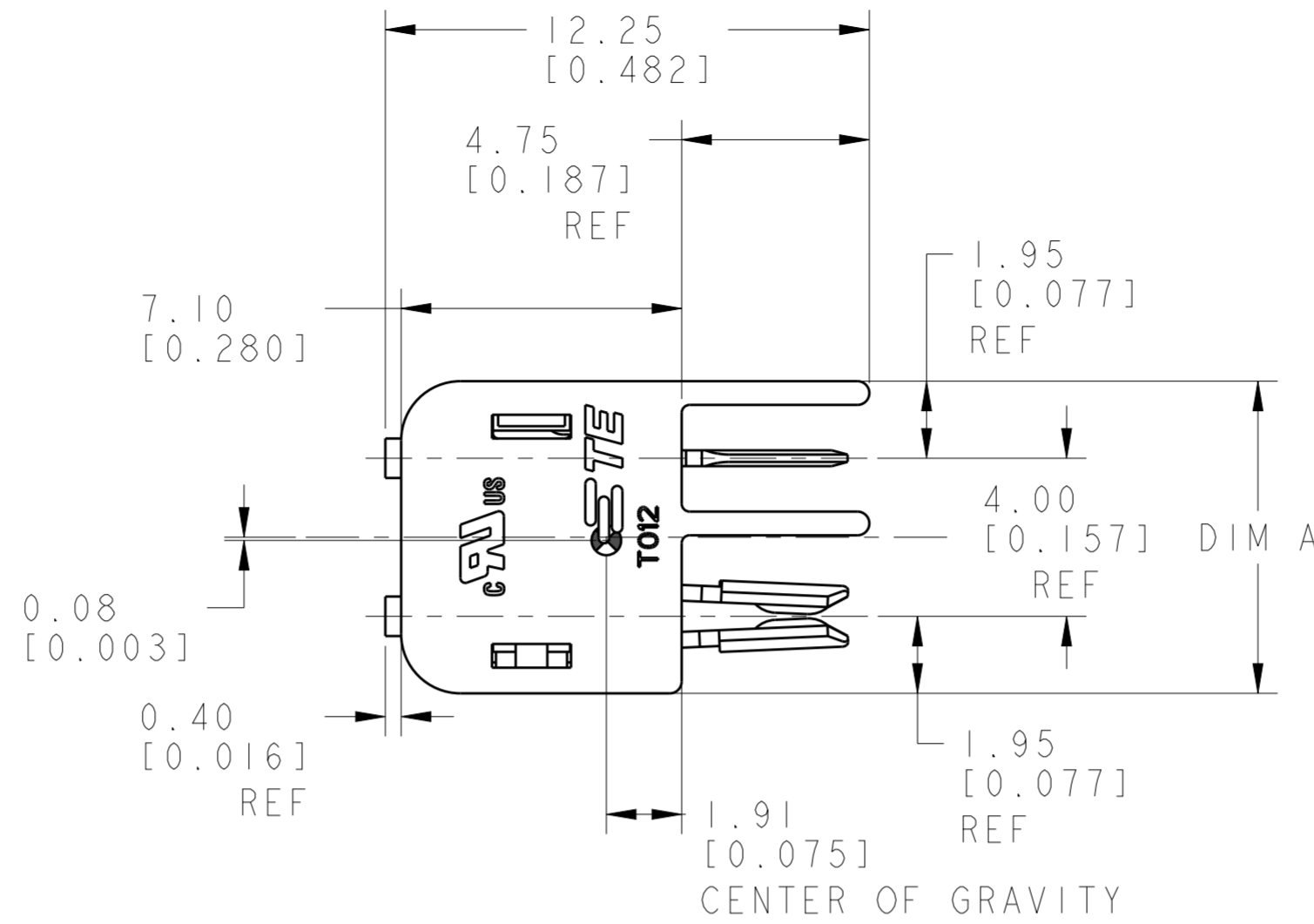


THIS DRAWING IS UNPUBLISHED. RELEASED FOR PUBLICATION 20
 © COPYRIGHT 20 BY - ALL RIGHTS RESERVED.

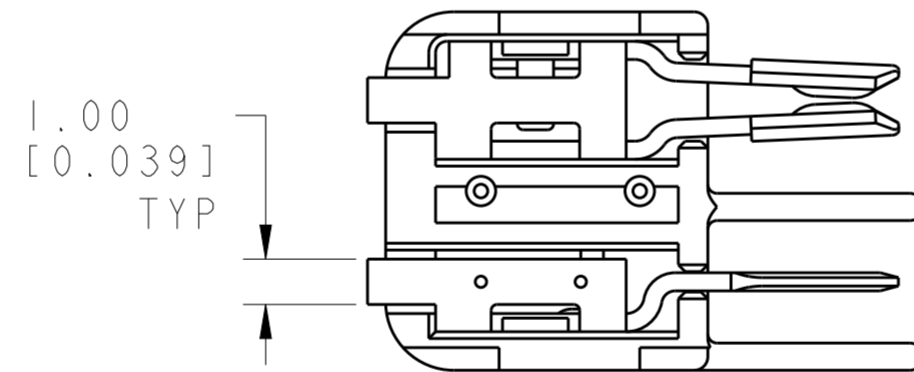
| REVISIONS | | | | | | | |
|-----------|------|---|-----|---------------------------|-----------|-----|------|
| LOC | DIST | P | LTR | DESCRIPTION | DATE | DWN | APVD |
| - | - | | A | REVISED PER ECR-16-005567 | 19APR2016 | RS | DD |
| | | | AI | REVISED PER ECR-16-010299 | 20JUL2016 | RS | PO |

NOTES:

- 1. MATERIALS AND FINISH
 - HOUSING: LCP
 - CONTACTS: COPPER ALLOY, FINISH: TIN AND SELECT GOLD
- 2. PRODUCT TO COMPLY WITH DIRECTIVE 2002/95/EC (ROHS)
- 3. PACKAGED IN TAPE AND REEL



2213616-1 SHOWN

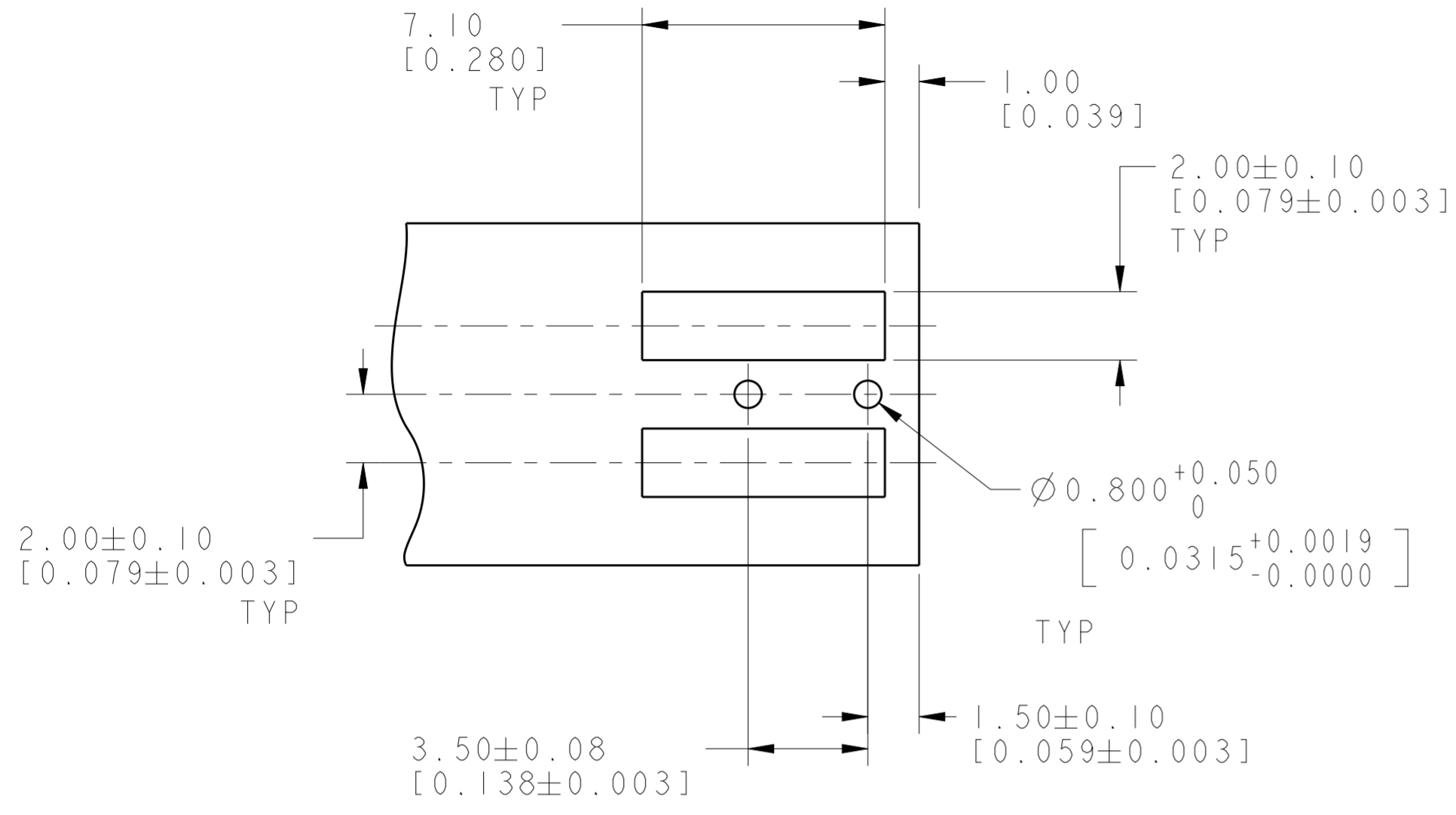


| | | | |
|----------|---------|-------|-------------|
| 6 | BLACK | 23.90 | 1-2213616-3 |
| 4 | BLACK | 15.90 | 1-2213616-2 |
| 2 | BLACK | 7.90 | 1-2213616-1 |
| 6 | NATURAL | 23.90 | 2213616-3 |
| 4 | NATURAL | 15.90 | 2213616-2 |
| 2 | NATURAL | 7.90 | 2213616-1 |
| POSITION | COLOR | DIM A | PART NO. |

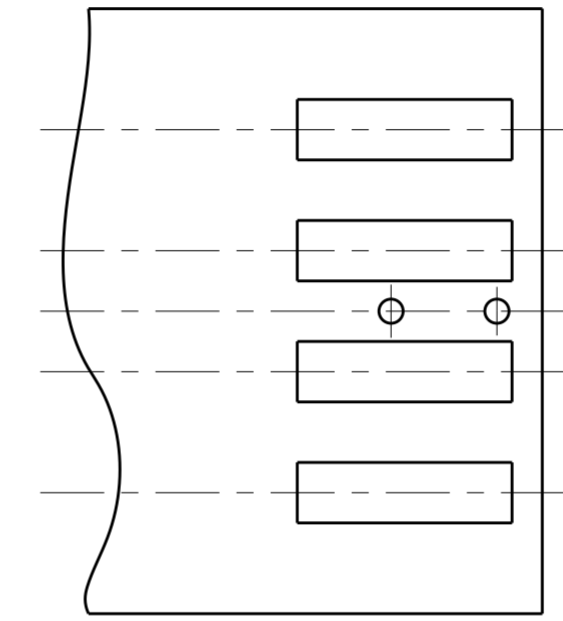
| | | | | |
|--|--|----------------------------------|--|--|
| THIS DRAWING IS A CONTROLLED DOCUMENT. | | DWN RAVLS 22 JAN 2015 | TE Connectivity | |
| DIMENSIONS: mm | | CHK D. DECKER 22 JAN 2015 | | |
| TOLERANCES UNLESS OTHERWISE SPECIFIED: | | APVD D. DECKER 22 JAN 2015 | NAME CONNECTOR ASSEMBLY, HERMAPHRODITIC BLADE AND RECEPTACLE, WITH BOSS | |
| 0 PLC ± 1 PLC ± 2 PLC ±0.13 3 PLC ±0.013 4 PLC ± ANGLES ±1° FINISH | | PRODUCT SPEC 108-2342 | SIZE A200779 | |
| MATERIAL | | APPLICATION SPEC 114-13225 | DRAWING NO C-2213616 | |
| | | WEIGHT - | RESTRICTED TO - | |
| CUSTOMER DRAWING | | SCALE 6:1 | SHEET 1 OF 2 REV AI | |

THIS DRAWING IS UNPUBLISHED. RELEASED FOR PUBLICATION 20
 © COPYRIGHT 20 BY - ALL RIGHTS RESERVED.

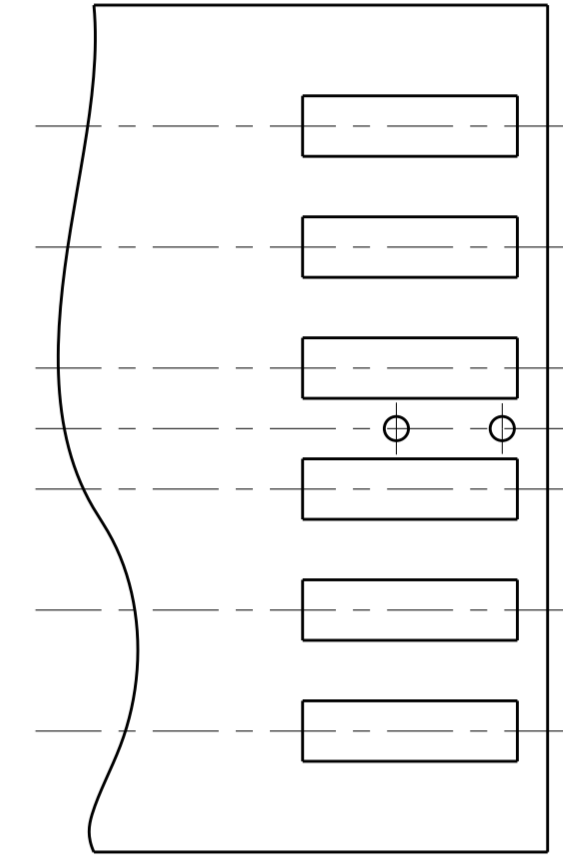
| LOC | | DIST | | REVISIONS | | | |
|-----|-----|-------------|------|-----------|------|--|--|
| P | LTR | DESCRIPTION | DATE | DWN | APVD | | |
| - | - | SEE SHEET 1 | - | - | - | | |



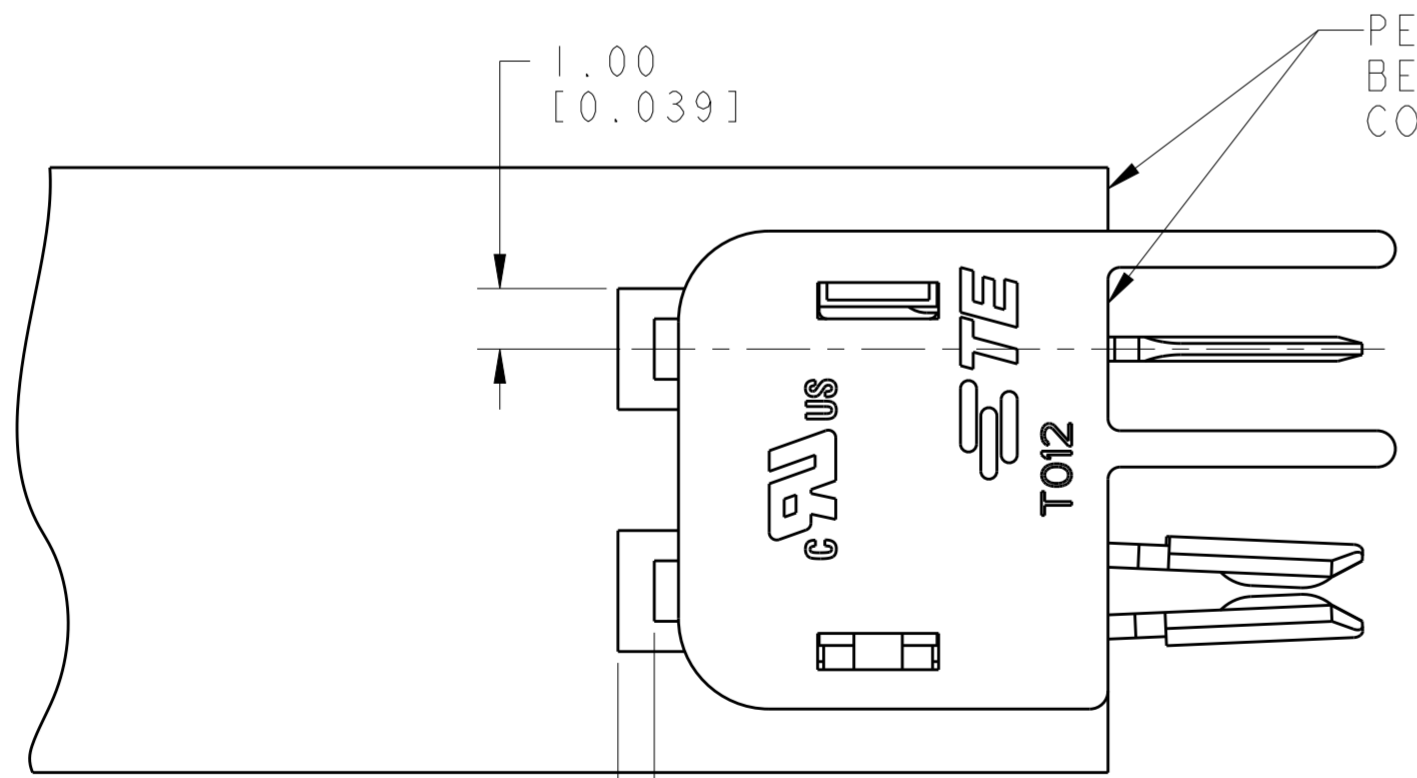
RECOMMENDED PCB LAYOUT FOR 2213616-1 & 1-2213616-1



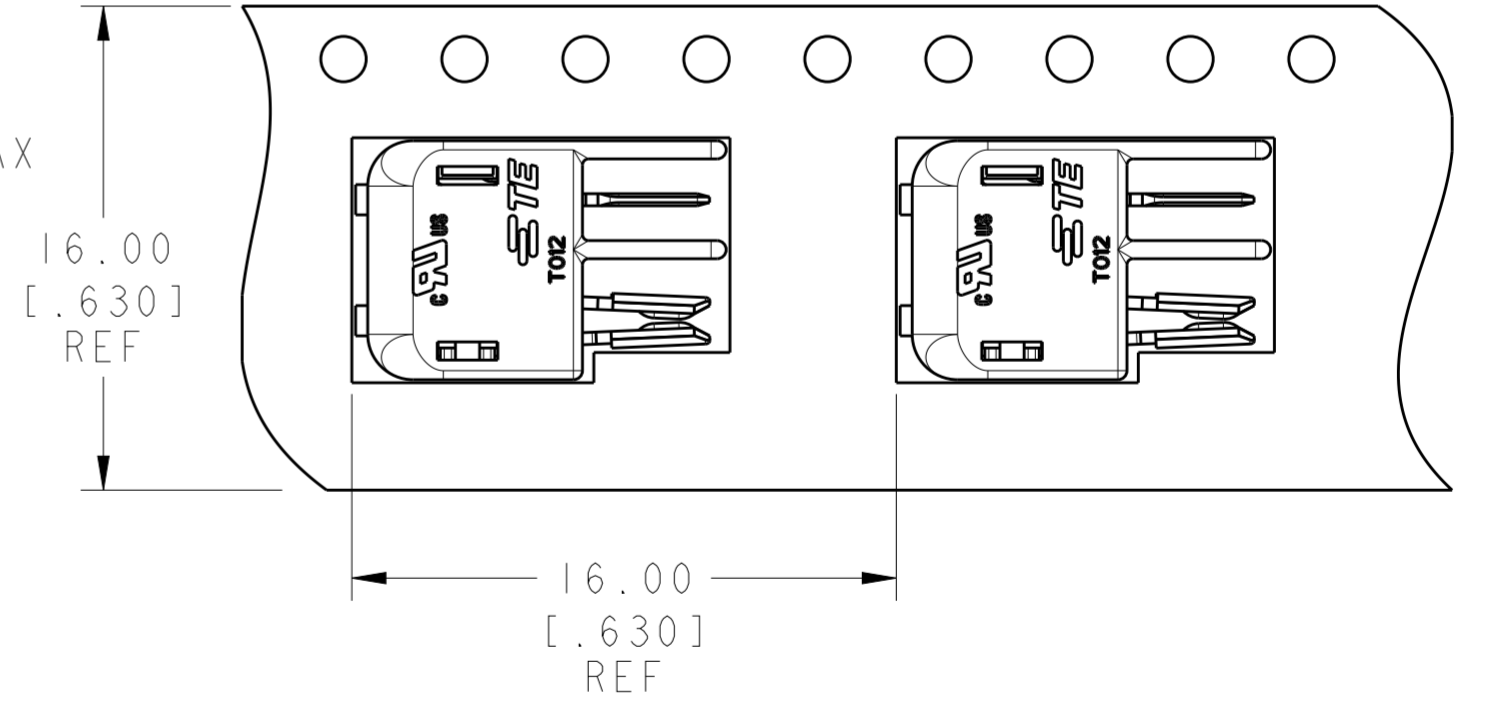
RECOMMENDED PCB LAYOUT FOR 2213616-2 & 1-2213616-2



RECOMMENDED PCB LAYOUT FOR 2213616-3 & 1-2213616-3



SCALE 8:1



TO BE PACKAGED AS SHOWN

| | | | | |
|--|--|----------------------------------|--|-------------------------------|
| THIS DRAWING IS A CONTROLLED DOCUMENT. | | DWN RAVLS 22 JAN 2015 | TE Connectivity | |
| | | CHK D. DECKER 22 JAN 2015 | | |
| | | APVD D. DECKER 22 JAN 2015 | NAME CONNECTOR ASSEMBLY, HERMAPHRODITIC BLADE AND RECEPTACLE, WITH BOSS | |
| DIMENSIONS: mm | | PRODUCT SPEC 108-2342 | | SIZE A200779 |
| TOLERANCES UNLESS OTHERWISE SPECIFIED: 0 PLC ± 1 PLC ± 2 PLC ±0.13 3 PLC ±0.013 4 PLC ± ANGLES ±1° FINISH | | APPLICATION SPEC 114-13225 | | DRAWING NO C-2213616 |
| MATERIAL | | WEIGHT - | | RESTRICTED TO - |
| | | CUSTOMER DRAWING | | SCALE 6:1 SHEET 2 OF 2 REV A1 |