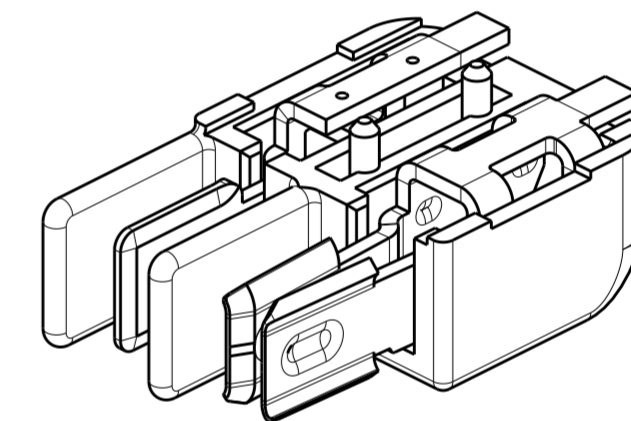
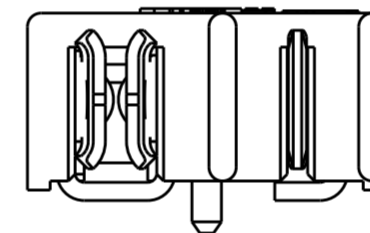
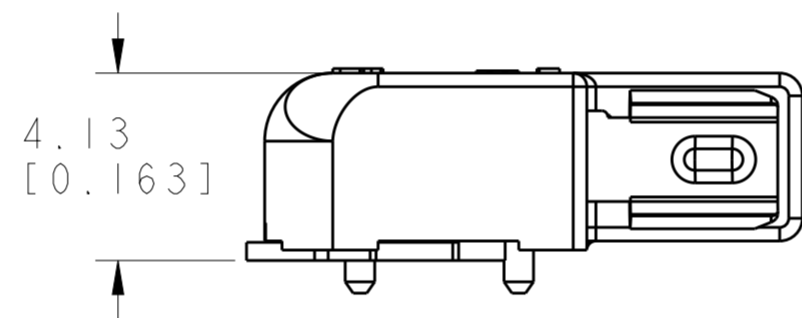
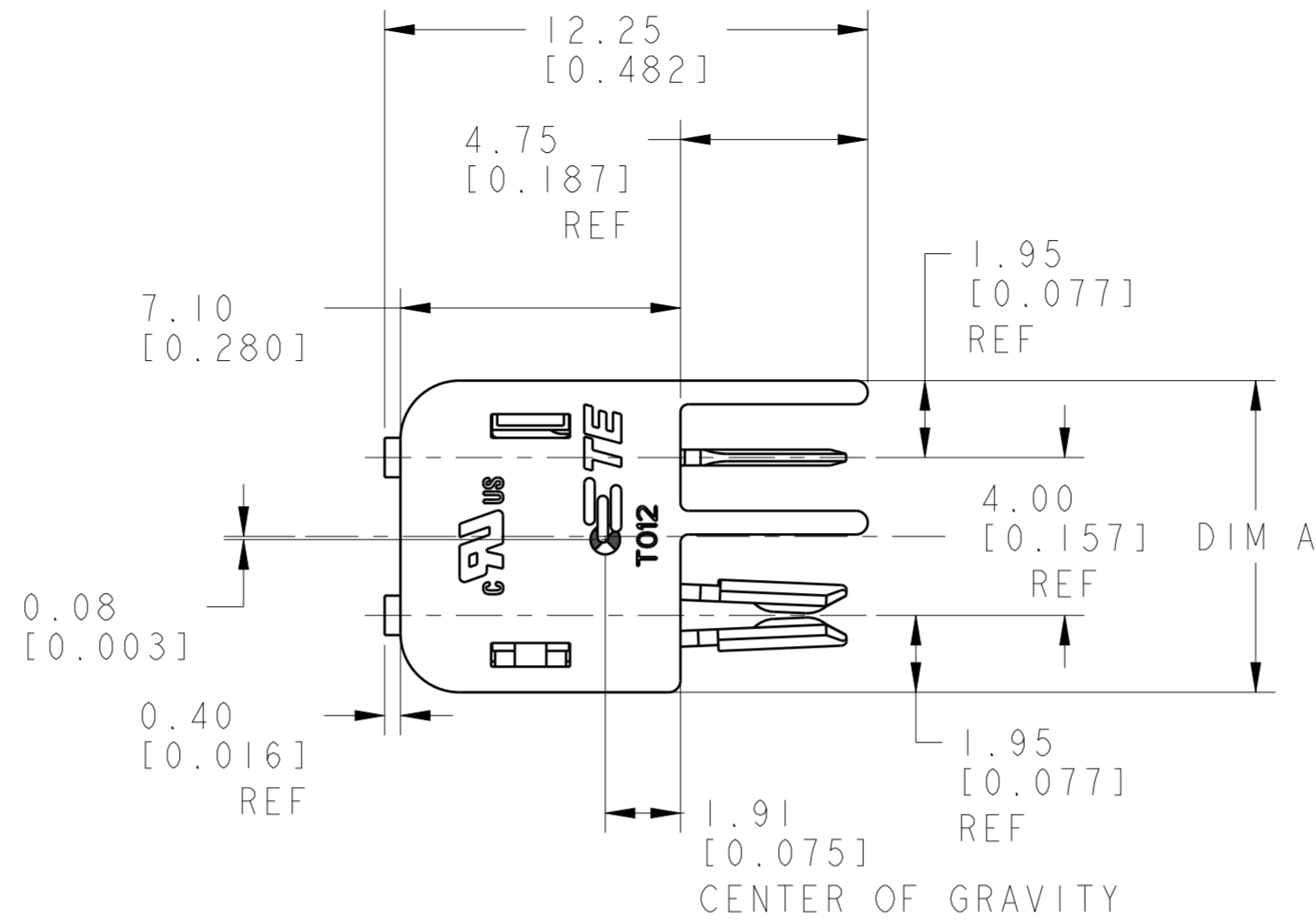


THIS DRAWING IS UNPUBLISHED. RELEASED FOR PUBLICATION 20
 © COPYRIGHT 20 BY - ALL RIGHTS RESERVED.

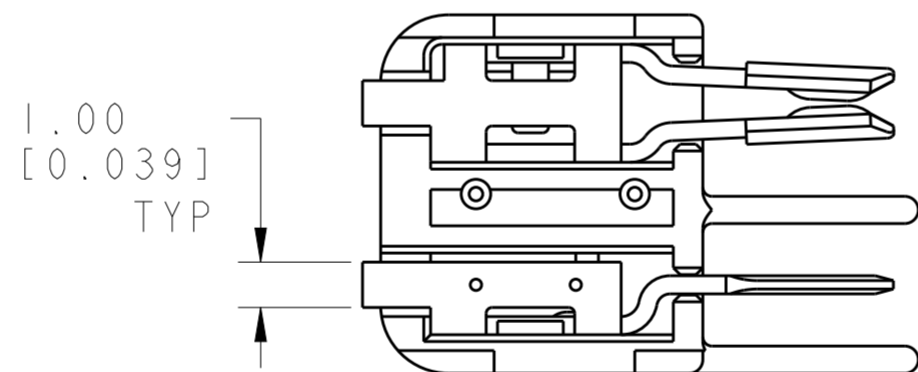
REVISIONS							
LOC	DIST	P	LTR	DESCRIPTION	DATE	DWN	APVD
-	-		A	REVISED PER ECR-16-005567	19APR2016	RS	DD
			AI	REVISED PER ECR-16-010299	20JUL2016	RS	PO

NOTES:

- 1. MATERIALS AND FINISH
 - HOUSING: LCP
 - CONTACTS: COPPER ALLOY, FINISH: TIN AND SELECT GOLD
- 2. PRODUCT TO COMPLY WITH DIRECTIVE 2002/95/EC (ROHS)
- 3. PACKAGED IN TAPE AND REEL



2213616-1 SHOWN

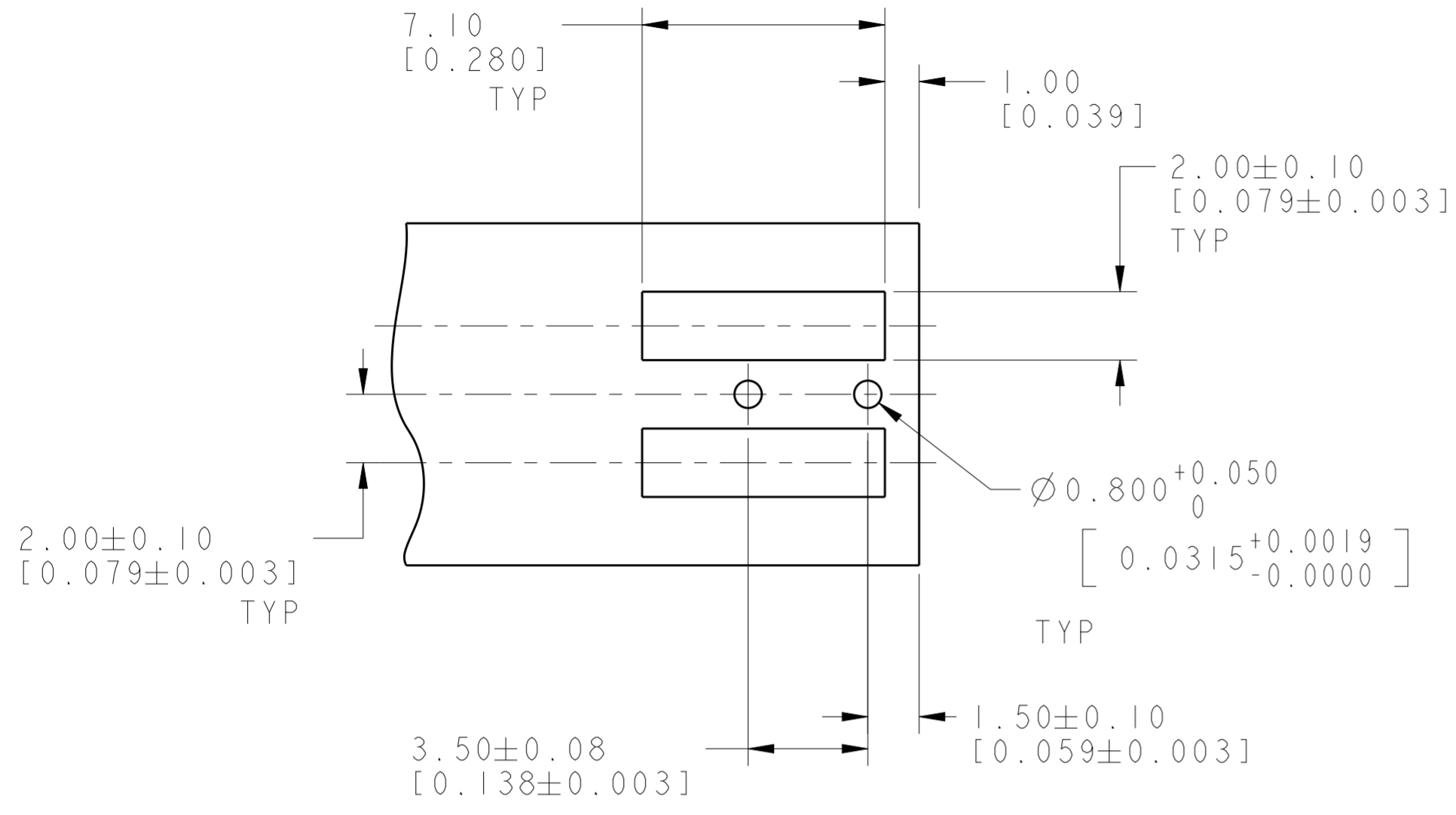


6	BLACK	23.90	1-2213616-3
4	BLACK	15.90	1-2213616-2
2	BLACK	7.90	1-2213616-1
6	NATURAL	23.90	2213616-3
4	NATURAL	15.90	2213616-2
2	NATURAL	7.90	2213616-1
POSITION	COLOR	DIM A	PART NO.

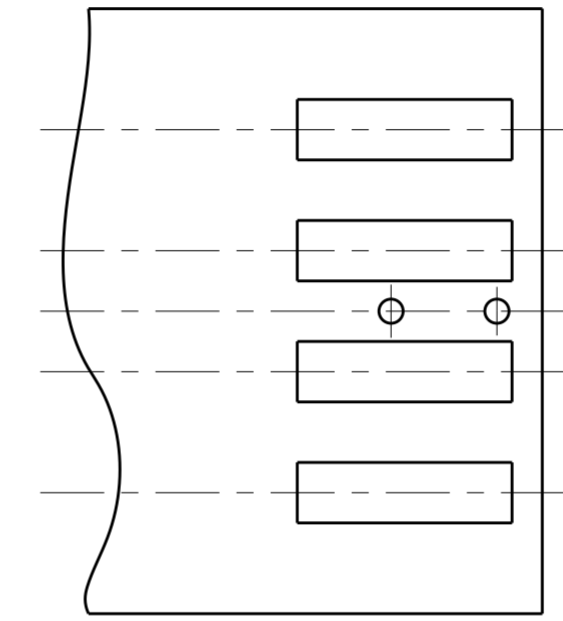
THIS DRAWING IS A CONTROLLED DOCUMENT.		DWN RAVLS 22 JAN 2015	TE Connectivity	
DIMENSIONS:		CHK D. DECKER 22 JAN 2015		
TOLERANCES UNLESS OTHERWISE SPECIFIED:		APVD D. DECKER 22 JAN 2015		
mm 0 PLC ± 1 PLC ± 2 PLC ±0.13 3 PLC ±0.013 4 PLC ± ANGLES ±1° FINISH		PRODUCT SPEC 108-2342 APPLICATION SPEC 114-13225 WEIGHT -		
MATERIAL		NAME CONNECTOR ASSEMBLY, HERMAPHRODITIC BLADE AND RECEPTACLE, WITH BOSS		RESTRICTED TO
		SIZE CAGE CODE DRAWING NO A200779 C-2213616		-
CUSTOMER DRAWING		SCALE 6:1	SHEET 1 OF 2	REV AI

THIS DRAWING IS UNPUBLISHED. RELEASED FOR PUBLICATION 20
 © COPYRIGHT 20 BY - ALL RIGHTS RESERVED.

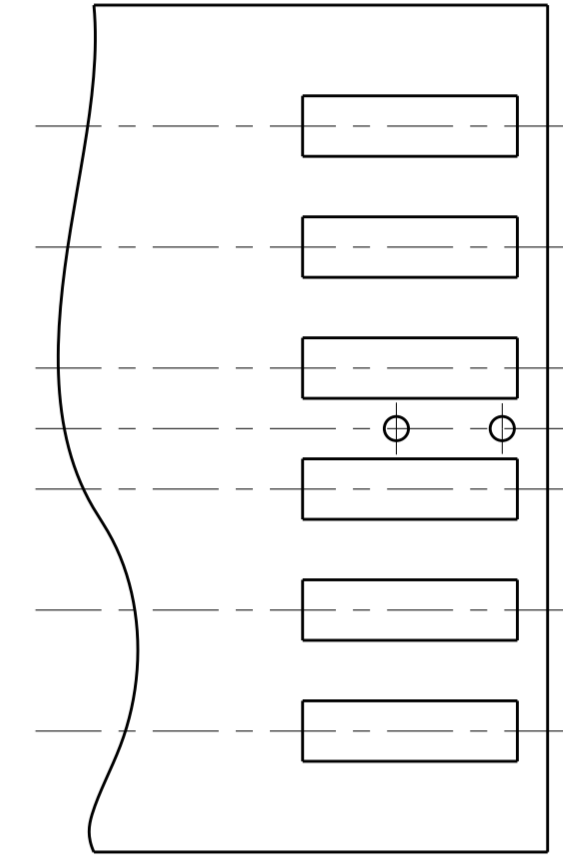
LOC		DIST		REVISIONS			
P	LTR	DESCRIPTION	DATE	DWN	APVD		
-	-	SEE SHEET 1	-	-	-		



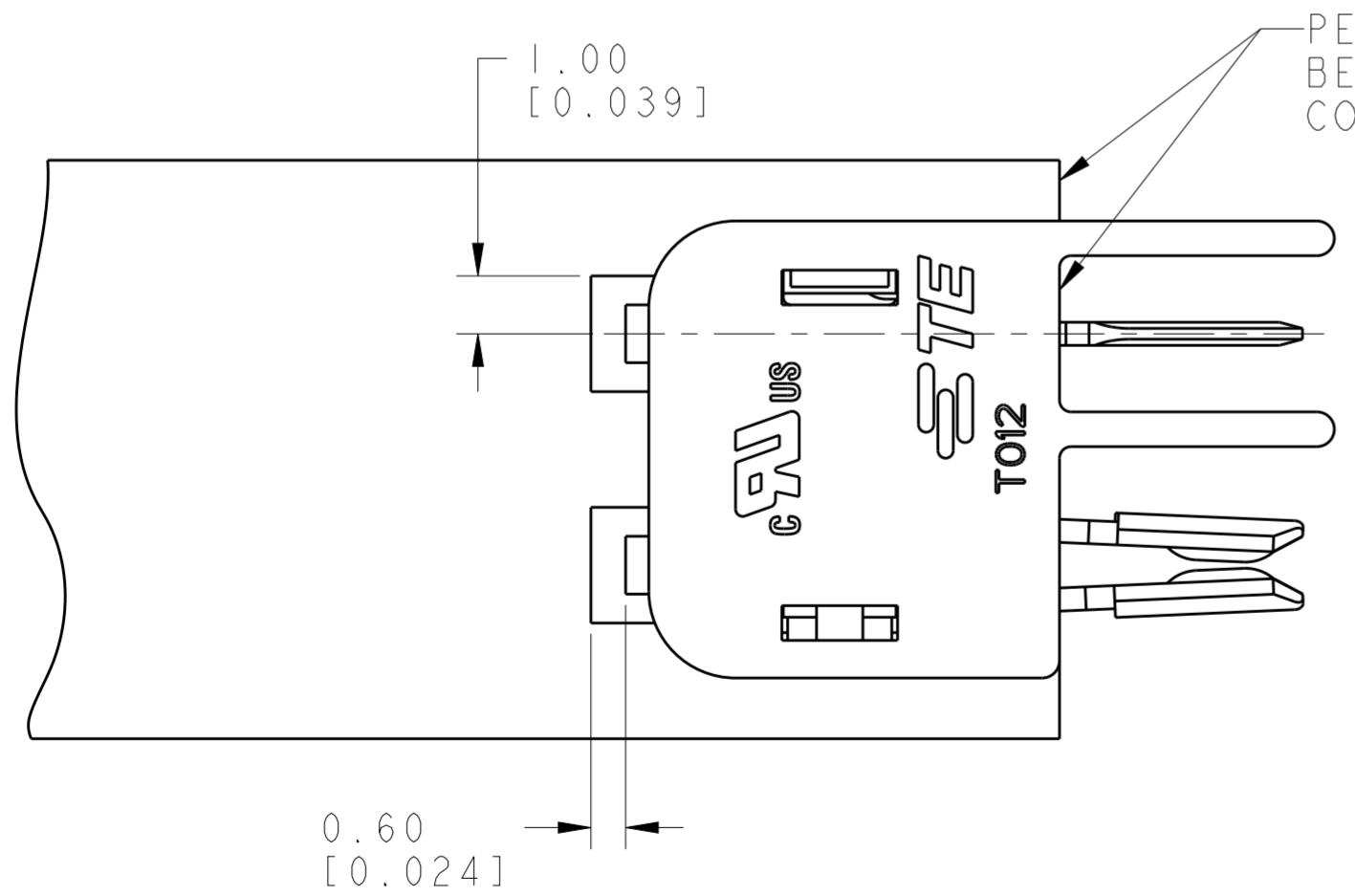
RECOMMENDED PCB LAYOUT FOR 2213616-1 & 1-2213616-1



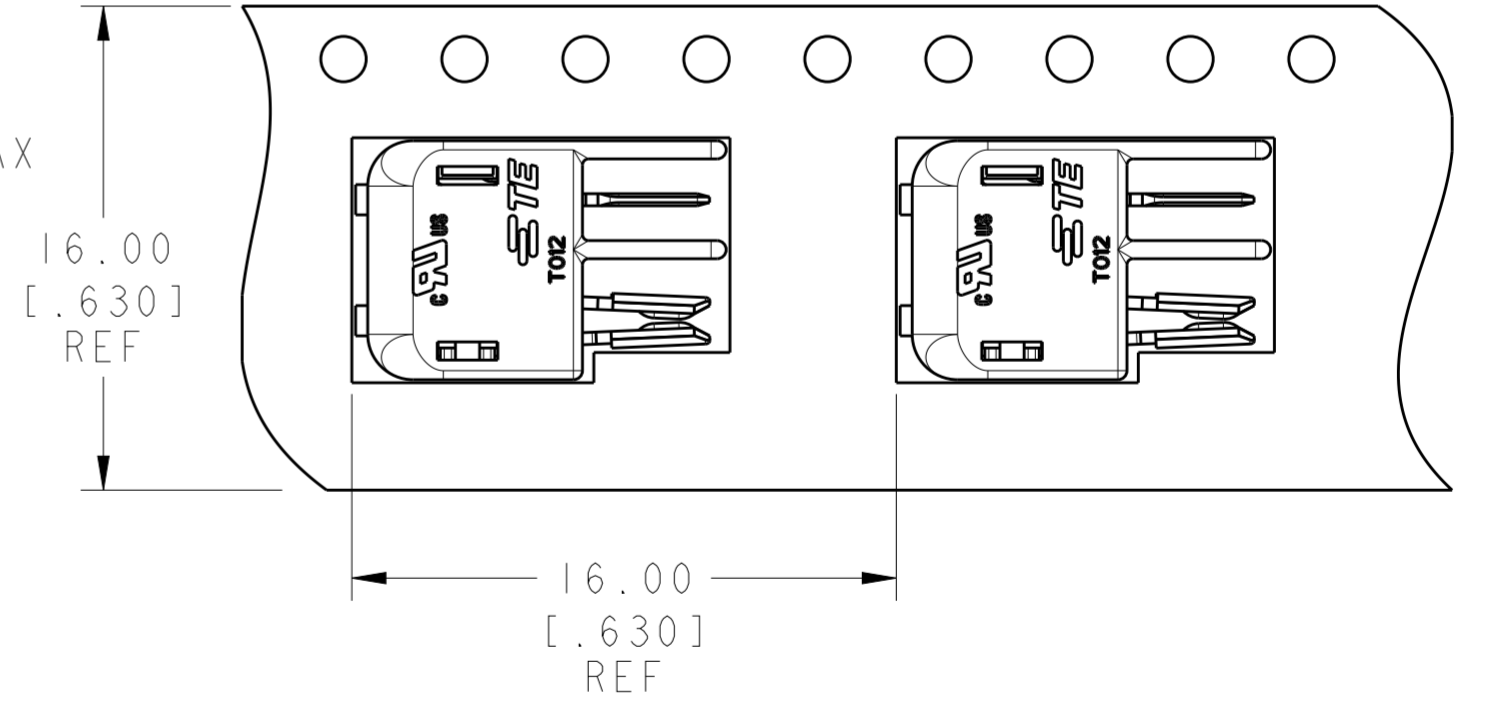
RECOMMENDED PCB LAYOUT FOR 2213616-2 & 1-2213616-2



RECOMMENDED PCB LAYOUT FOR 2213616-3 & 1-2213616-3



SCALE 8:1



TO BE PACKAGED AS SHOWN

THIS DRAWING IS A CONTROLLED DOCUMENT.		DWN RAVLS 22 JAN 2015	TE Connectivity	
		CHK D. DECKER 22 JAN 2015		
		APVD D. DECKER 22 JAN 2015	NAME CONNECTOR ASSEMBLY, HERMAPHRODITIC BLADE AND RECEPTACLE, WITH BOSS	
DIMENSIONS: mm		PRODUCT SPEC 108-2342		SIZE A200779
TOLERANCES UNLESS OTHERWISE SPECIFIED: 0 PLC ± 1 PLC ± 2 PLC ±0.13 3 PLC ±0.013 4 PLC ± ANGLES ±1° FINISH		APPLICATION SPEC 114-13225		DRAWING NO C-2213616
MATERIAL		WEIGHT -		RESTRICTED TO -
		CUSTOMER DRAWING		SCALE 6:1 SHEET 2 OF 2 REV A1