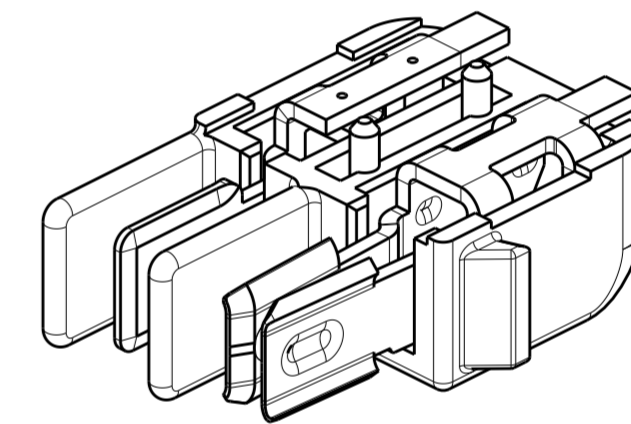
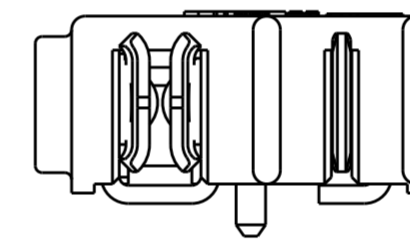
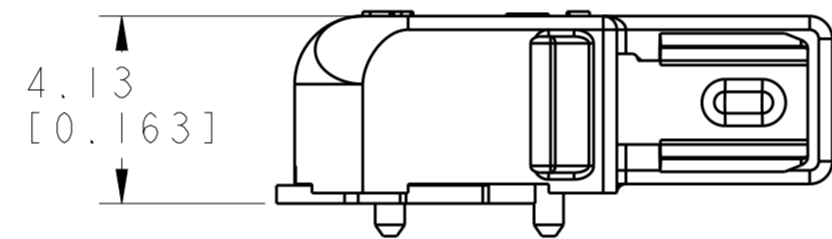
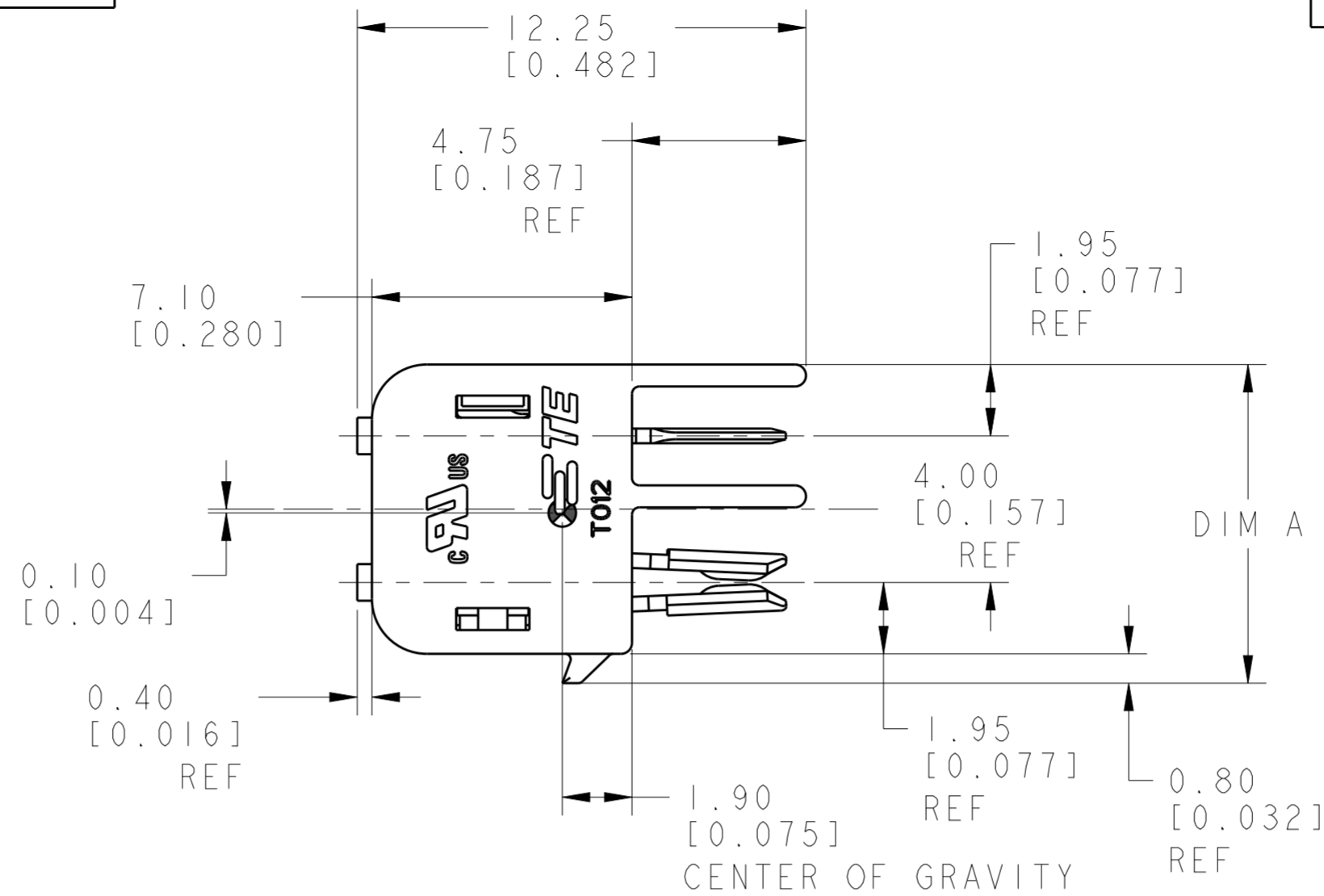


THIS DRAWING IS UNPUBLISHED. RELEASED FOR PUBLICATION 20
 © COPYRIGHT 20 BY - ALL RIGHTS RESERVED.

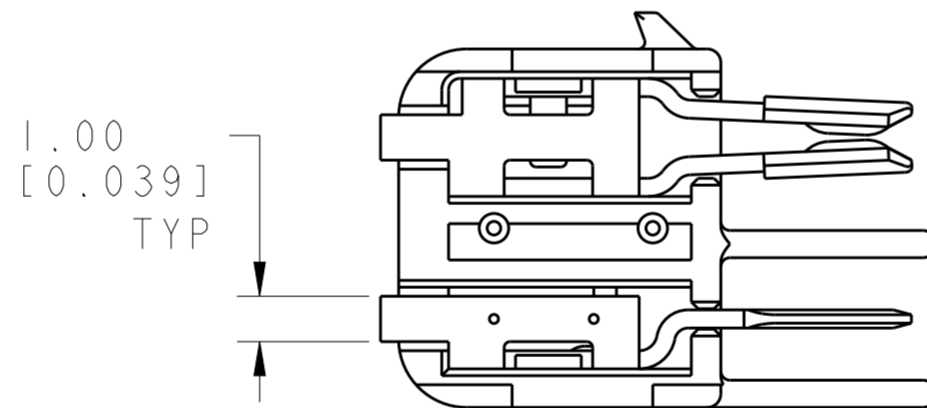
LOC		DIST		REVISIONS			
P	LTR	DESCRIPTION	DATE	DWN	APVD		
	A	REVISED PER ECR-16-005567	19APR2016	RS	DD		
	AI	REVISED PER ECR-16-010299	20JUL2016	RS	PO		

NOTES:

- 1. MATERIALS AND FINISH
 - HOUSING: LCP
 - CONTACTS: COPPER ALLOY, FINISH: TIN AND SELECT GOLD
- 2. PRODUCT TO COMPLY WITH DIRECTIVE 2002/95/EC (ROHS)
- 3. PACKAGED IN TAPE AND REEL



2213617-1/
1-2213617-1
SHOWN

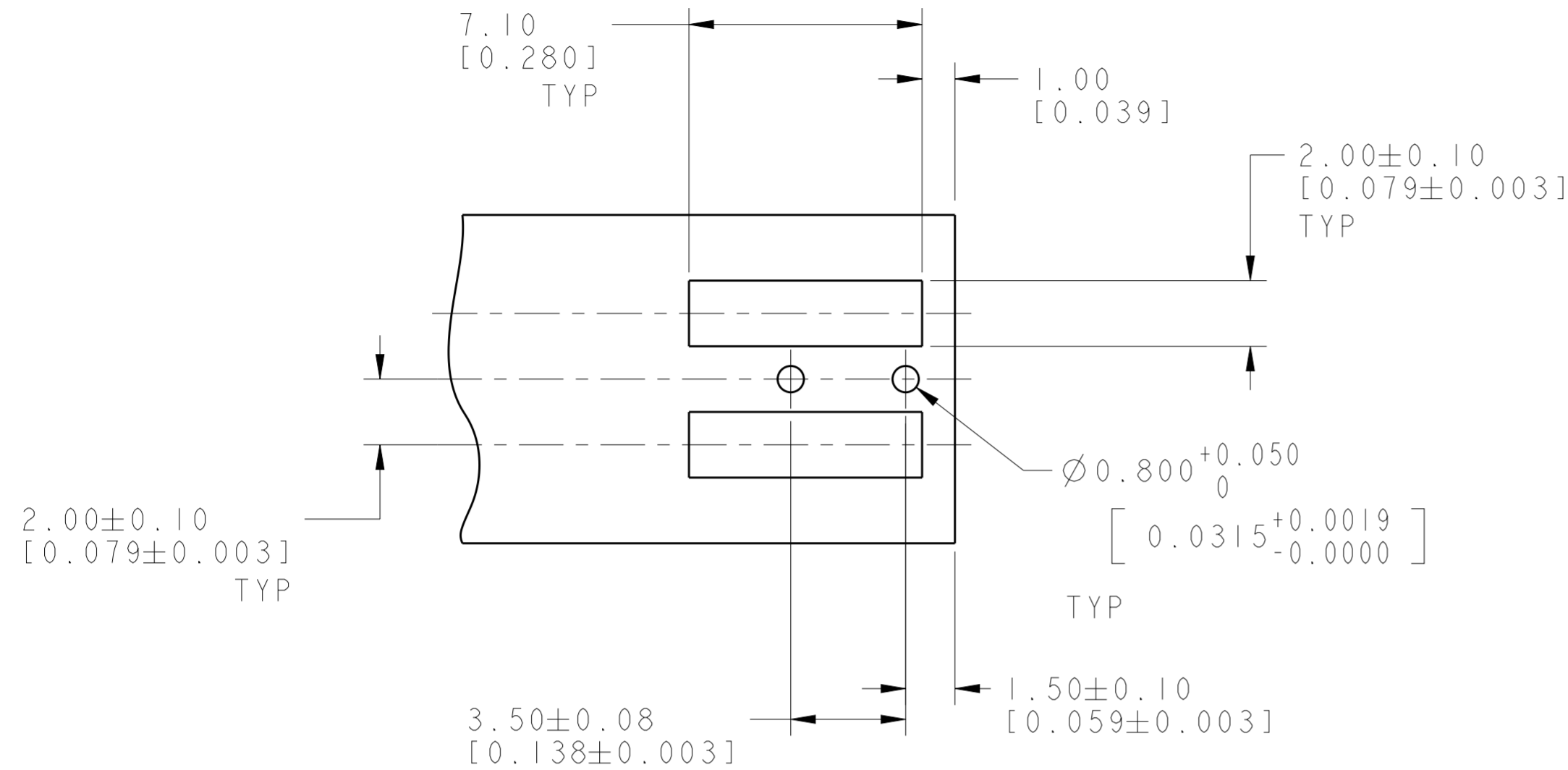


6	BLACK	24.70	1-2213617-3
4	BLACK	16.70	1-2213617-2
2	BLACK	8.70	1-2213617-1
6	NATURAL	24.70	2213617-3
4	NATURAL	16.70	2213617-2
2	NATURAL	8.70	2213617-1
POSITION	COLOR	DIM A	PART NO.

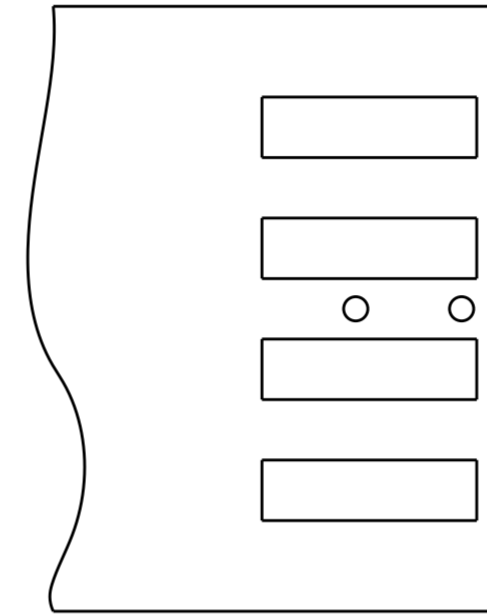
THIS DRAWING IS A CONTROLLED DOCUMENT.		DWN RAVLS 22JAN2015	TE Connectivity	
DIMENSIONS: mm		CHK D. DECKER 22JAN2015		
TOLERANCES UNLESS OTHERWISE SPECIFIED:		APVD D. DECKER 22JAN2015	NAME CONNECTOR ASSEMBLY, HERMAPHRODITIC BLADE AND RECEPTACLE, WITH LATCH AND BOSS	
0 PLC ± 1 PLC ± 2 PLC ±0.13 3 PLC ±0.013 4 PLC ± ANGLES ±1° FINISH		PRODUCT SPEC 108-2342	SIZE A200779	CAGE CODE C-2213617
MATERIAL		APPLICATION SPEC 114-13225	DRAWING NO.	RESTRICTED TO
		WEIGHT -	SCALE 6:1	SHEET 1 OF 2
		CUSTOMER DRAWING	REV A1	

THIS DRAWING IS UNPUBLISHED. RELEASED FOR PUBLICATION 20
 © COPYRIGHT 20 BY - ALL RIGHTS RESERVED.

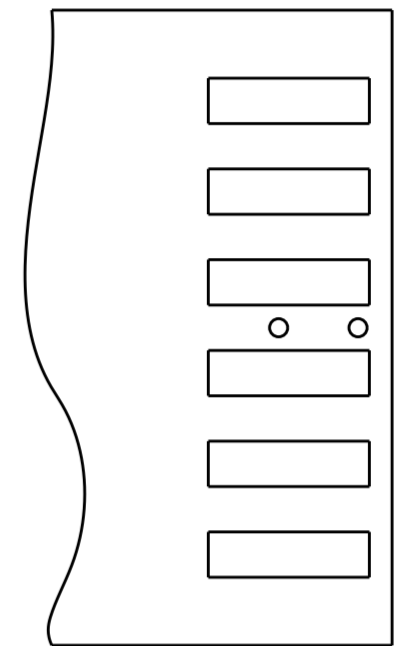
LOC		DIST		REVISIONS			
P	LTR	DESCRIPTION	DATE	DWN	APVD		
-	-	SEE SHEET 1	-	-	-		



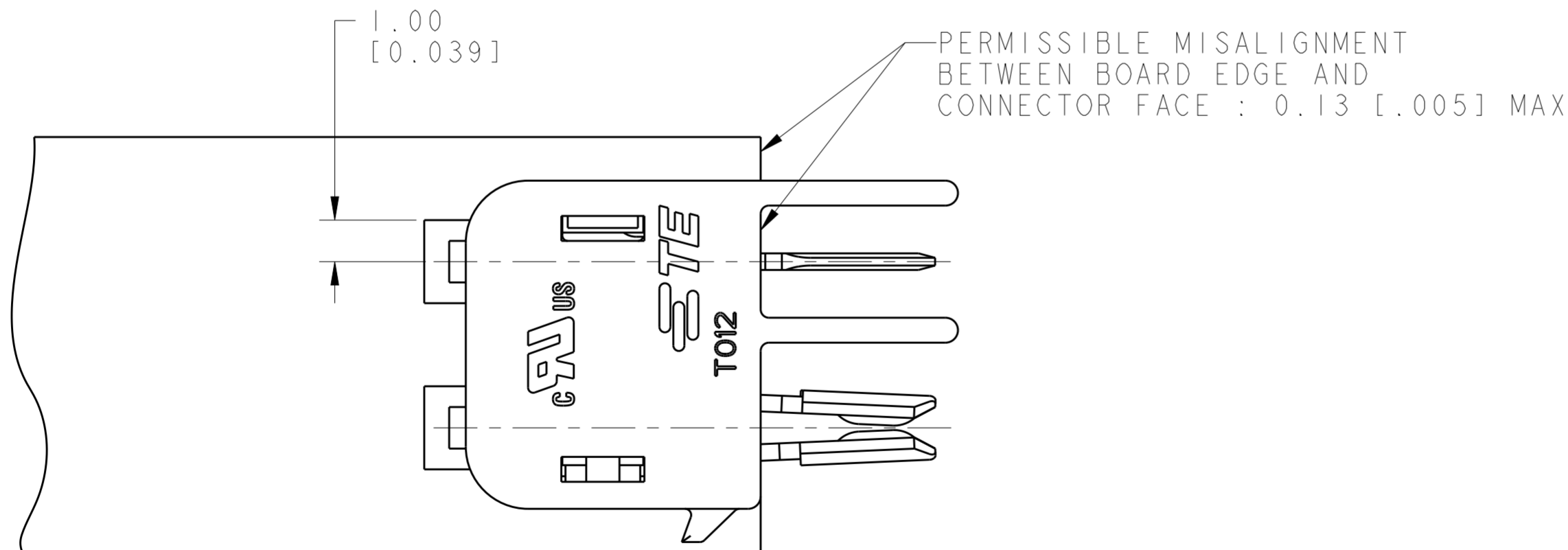
RECOMMENDED PCB LAYOUT FOR 2213617-1 & 1-2213617-1



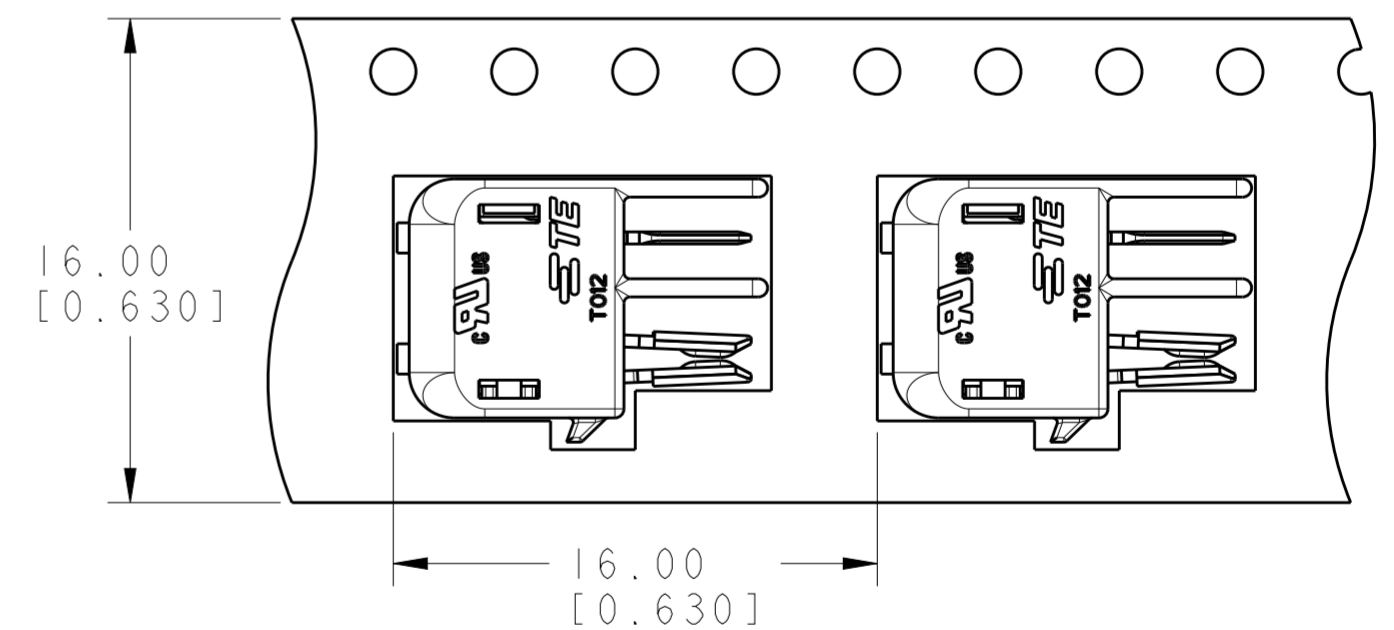
RECOMMENDED PCB LAYOUT FOR 2213617-2 & 1-2213617-2



RECOMMENDED PCB LAYOUT FOR 2213617-3 & 1-2213617-3



SCALE 8:1



TO BE PACKAGED AS SHOWN SCALE 4:1

THIS DRAWING IS A CONTROLLED DOCUMENT.		DWN RAVLS 22JAN2015	TE Connectivity	
DIMENSIONS: mm		CHK D. DECKER 22JAN2015		
TOLERANCES UNLESS OTHERWISE SPECIFIED:		APVD D. DECKER 22JAN2015	NAME CONNECTOR ASSEMBLY, HERMAPHRODITIC BLADE AND RECEPTACLE, WITH LATCH AND BOSS	
0 PLC ± 1 PLC ± 2 PLC ±0.13 3 PLC ±0.013 4 PLC ± ANGLES ±1° FINISH		PRODUCT SPEC 108-2342	SIZE 114-13225	RESTRICTED TO
MATERIAL		APPLICATION SPEC 114-13225	WEIGHT -	SCALE 6:1
		CUSTOMER DRAWING	SIZE A200779	DRAWING NO C-2213617
			SCALE 6:1	SHEET 2 OF 2
				REV A1