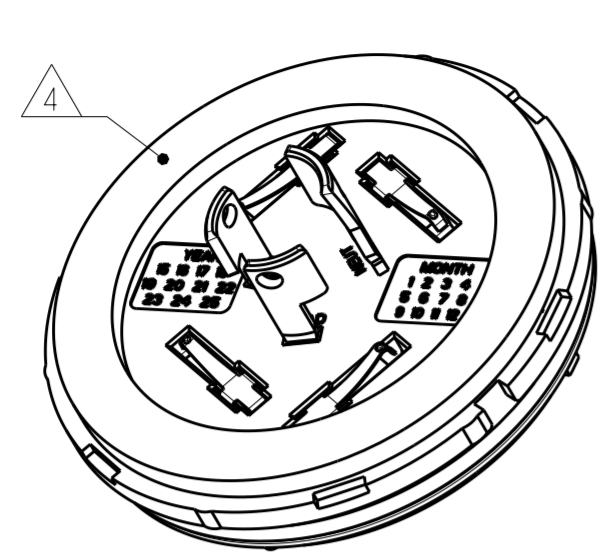
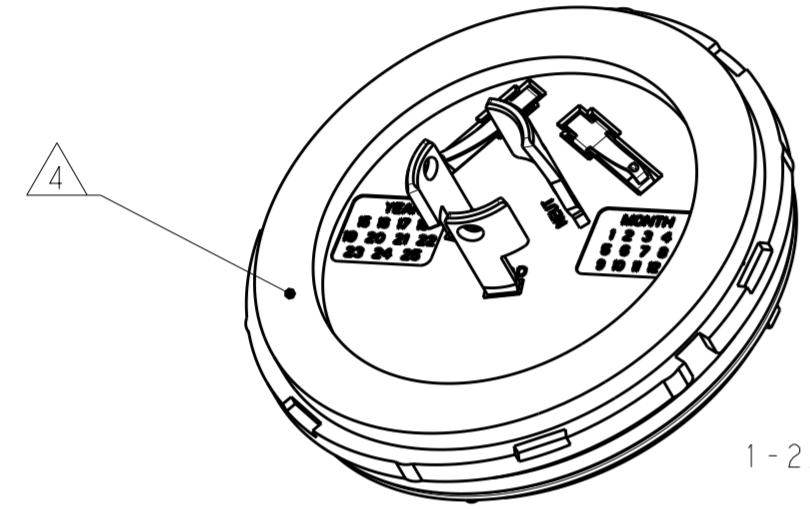
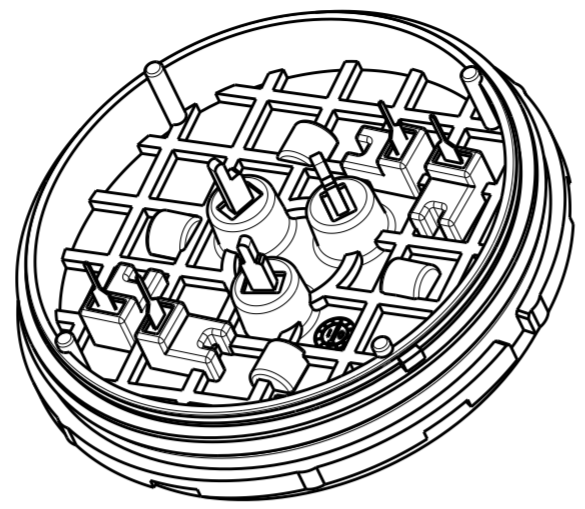


THIS DRAWING IS UNPUBLISHED. RELEASED FOR PUBLICATION 20
 © COPYRIGHT 20 BY - ALL RIGHTS RESERVED.

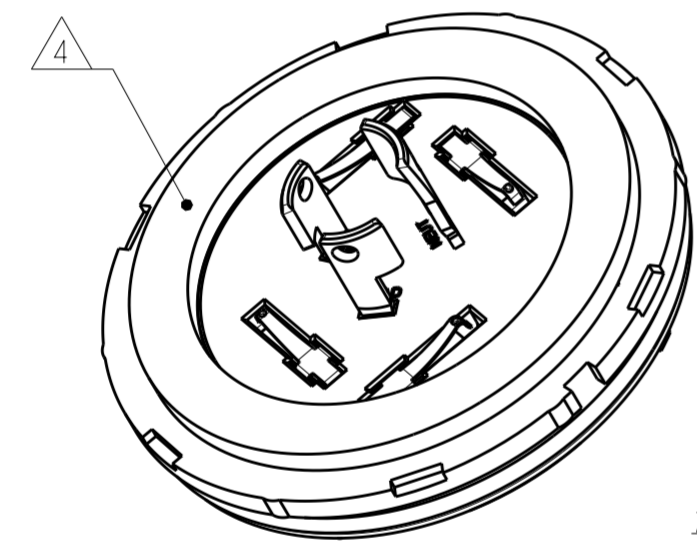
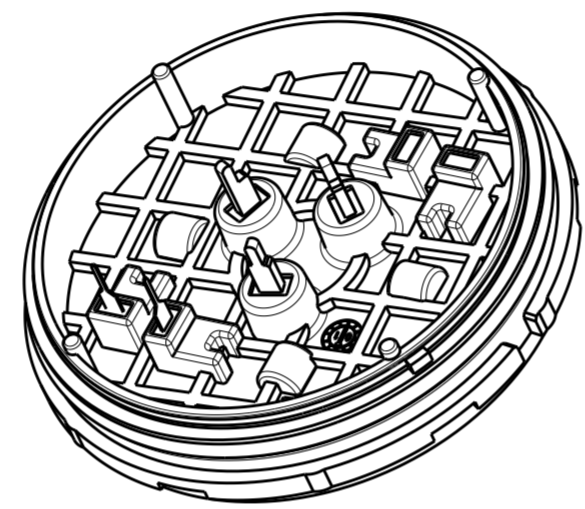
REVISIONS					
P	LTR	DESCRIPTION	DATE	DWN	APVD
A3		REVISED PER ECR-19-003969	12MAR2019	JS	DD
A4		REVISED PER ECR-19-008871	13JUN2019	SR	DD
A5		REVISED PER ECR-19-009651	12JUL2019	SR	DD
B		REVISED PER ECR-19-017691	19NOV2019	SB	DD



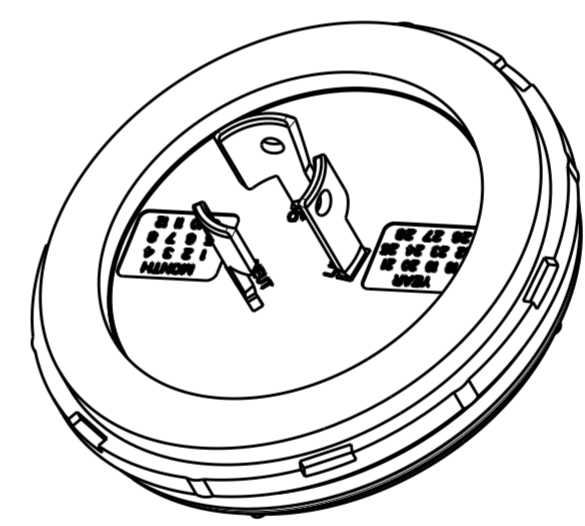
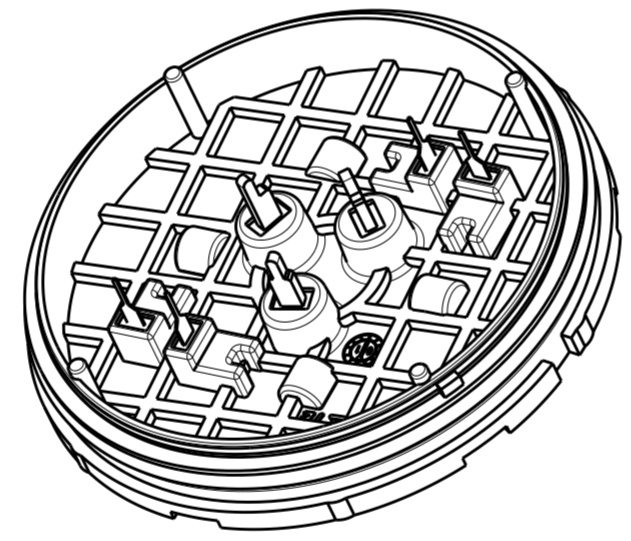
2213871-1 AND 2213871-2 SHOWN



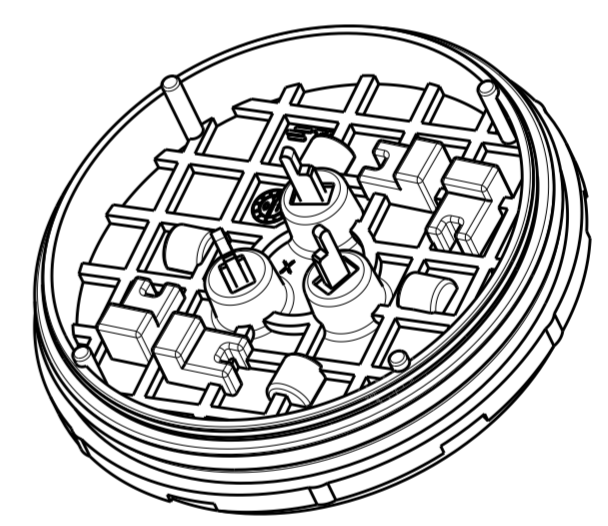
1-2213871-1 AND 1-2213871-2 SHOWN



2213871-3 SHOWN



1-2213871-3 SHOWN



- 1 MATERIALS:
 HOUSING: PBT
 DIMMING CONTACTS (QTY. 4): COPPER ALLOY
 LINE VOLTAGE CONTACTS (QTY. 3): COPPER ALLOY
 GASKET: VINYL/NITRILE FOAM
 O-RING: SILICONE RUBBER
- 2 FINISH:
 DIMMING CONTACTS: NICKEL UNDERPLATE ENTIRE
 CONTACT 0.127 µm MIN THICK. SELECTIVE GOLD PLATE CONTACT
 MATING AREA (MATING FACE SIDE ONLY) 0.76 µm MIN THICK.
 MATTE TIN PLATE TAB ON BOTH SIDES 0.30 µm MIN THICK.
 LINE VOLTAGE CONTACTS: MATTE TIN PLATE
- 3 MATING INTERFACE PER ANSI C136.41-2013.
- 4 ADHESIVE BACKED GASKET SUPPLIED BUT NOT INSTALLED.
- 5 ADDITIONAL COVERS AND SLEEVES OF VARIOUS HEIGHTS ARE AVAILABLE. CONTACT TE CONNECTIVITY FOR MORE OPTIONS.
- 6. NOTE DELETED.
- 7. THIS PRODUCT HAS NOT COMPLETED VALIDATION TESTING.

2213805-X	2213748-X	3	Ø77.00	Ø73.00	Ø64.50	Ø65.00	Ø66.75	Ø71.23	Ø72.00	Ø76.00	1-2213871-3
2213996-X	2306130-X	5	Ø82.24	Ø78.54	Ø69.80	Ø70.70	Ø72.25	Ø77.53	Ø77.74	Ø81.15	1-2213871-2
2213805-X	2213748-X	5	Ø77.00	Ø73.00	Ø64.50	Ø65.00	Ø66.75	Ø71.23	Ø72.00	Ø76.00	1-2213871-1
2213996-X	2306130-X	7	Ø82.24	Ø78.54	Ø69.80	Ø70.70	Ø72.25	Ø77.53	Ø77.74	Ø81.15	2213871-3
2213996-X	2306130-X	7	Ø82.24	Ø78.54	Ø69.80	Ø70.70	Ø72.25	Ø77.53	Ø77.74	Ø81.15	2213871-2
2213805-X	2213748-X	7	Ø77.00	Ø73.00	Ø64.50	Ø65.00	Ø66.75	Ø71.23	Ø72.00	Ø76.00	2213871-1
REPRESENTATIVE SLEEVE P/N 5	REPRESENTATIVE COVER P/N 5	CONTACT POSITIONS	DIM Y	DIM X	DIM P	DIM N	DIM M MAX WITH SLEEVE	DIM M MAX W/OUT SLEEVE	DIM F	DIM E	PART NO.

THIS DRAWING IS A CONTROLLED DOCUMENT.

DWN	J. SHAFFER	23MAR2016
CHK	E. HOWARD	23MAR2016
APVD	-	-
PRODUCT SPEC	108-32125	
APPLICATION SPEC	114-32159	
WEIGHT		
CUSTOMER DRAWING		

STE TE Connectivity

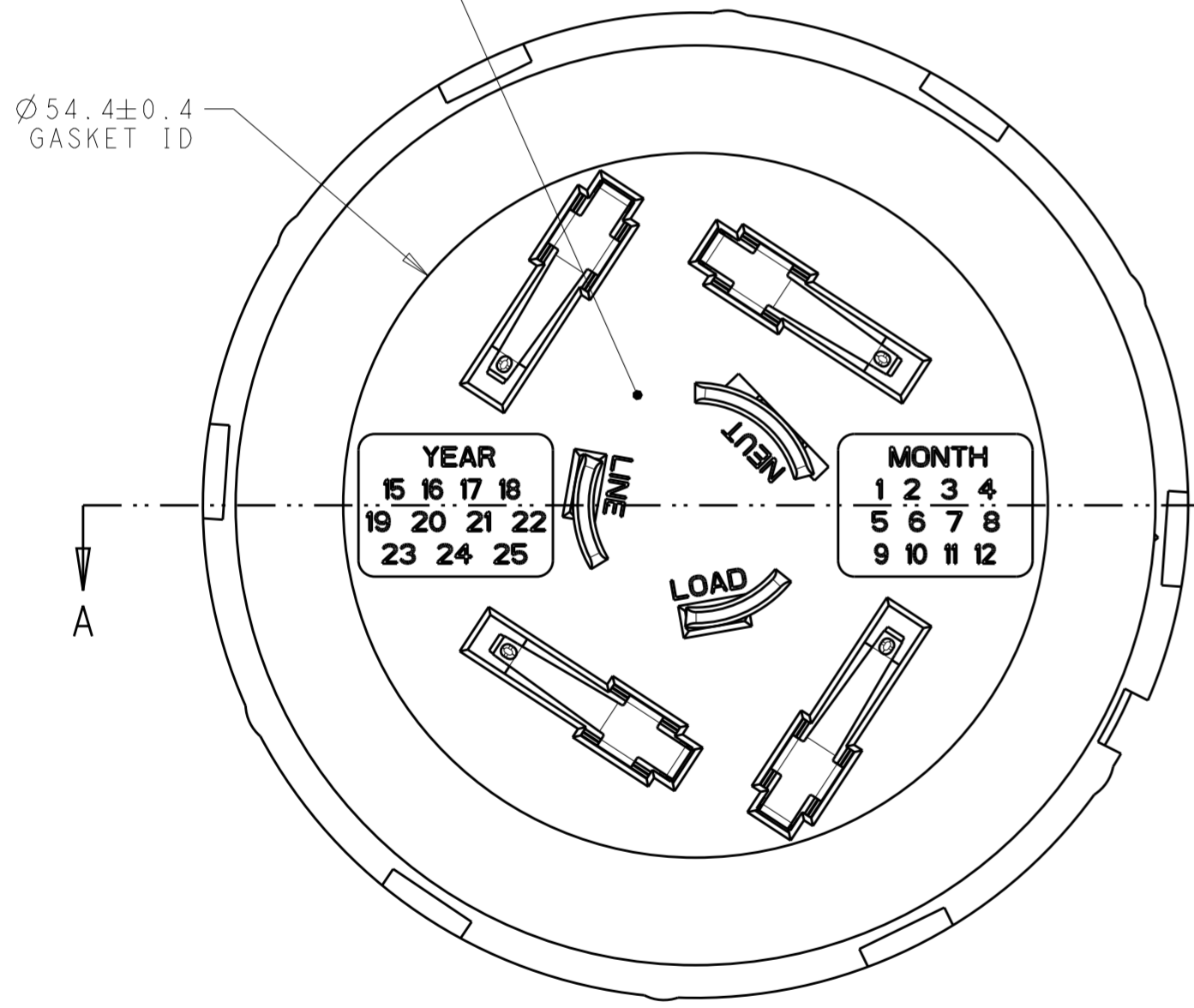
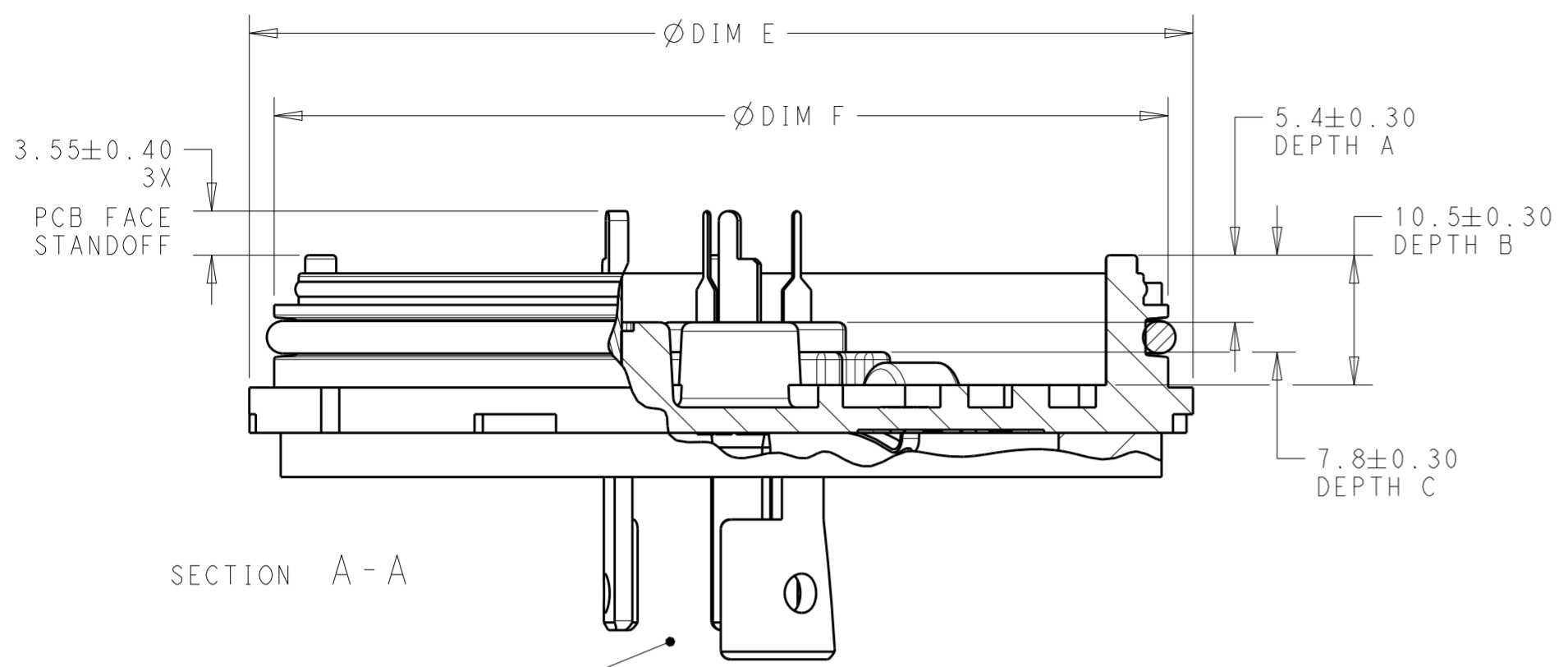
NAME: BASE ASSEMBLY, LIGHT CONTROLLER, SLEEVE COMPATIBLE

SIZE: A2 CAGE CODE: - DRAWING NO: C-2213871 RESTRICTED TO: -

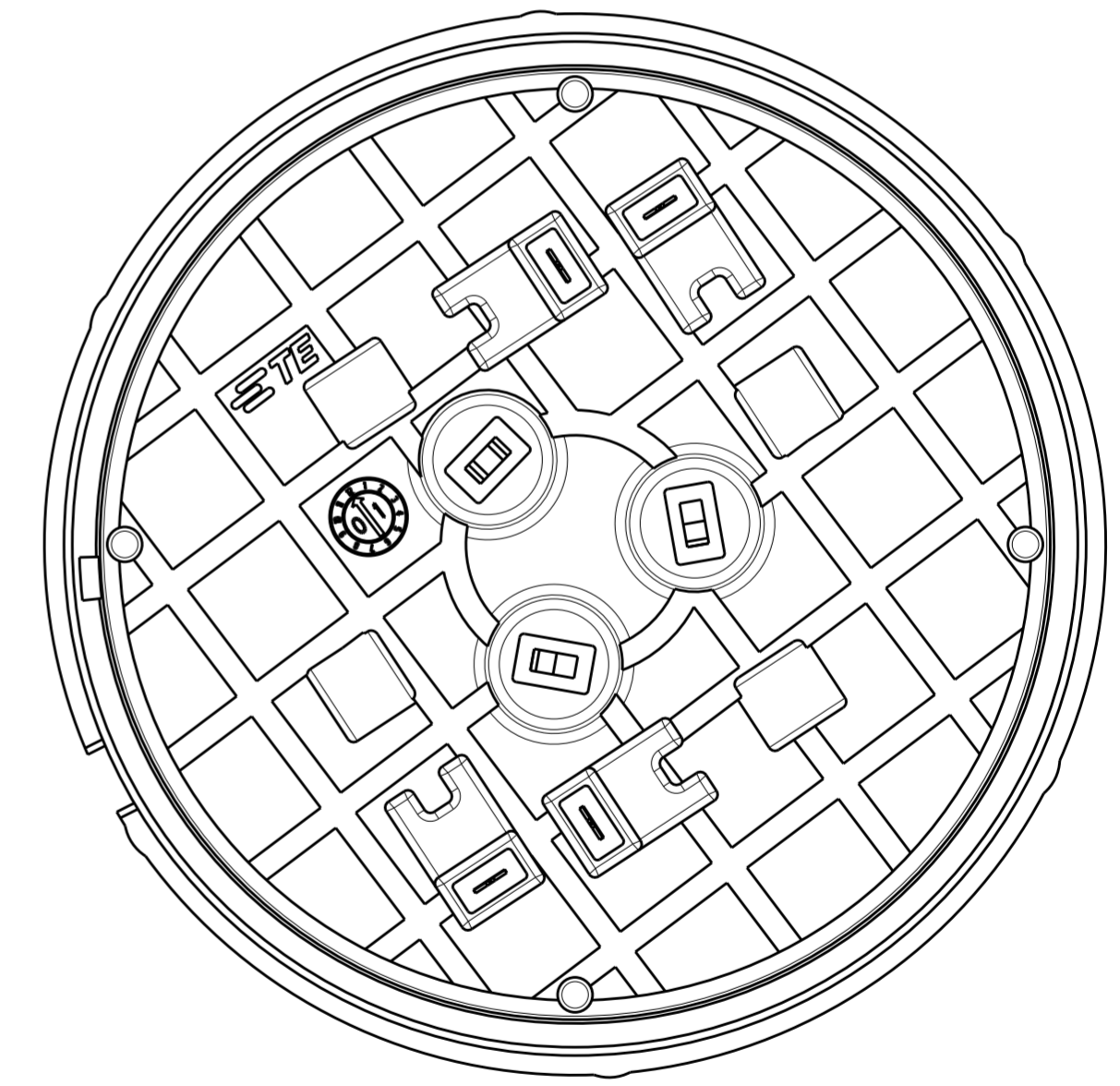
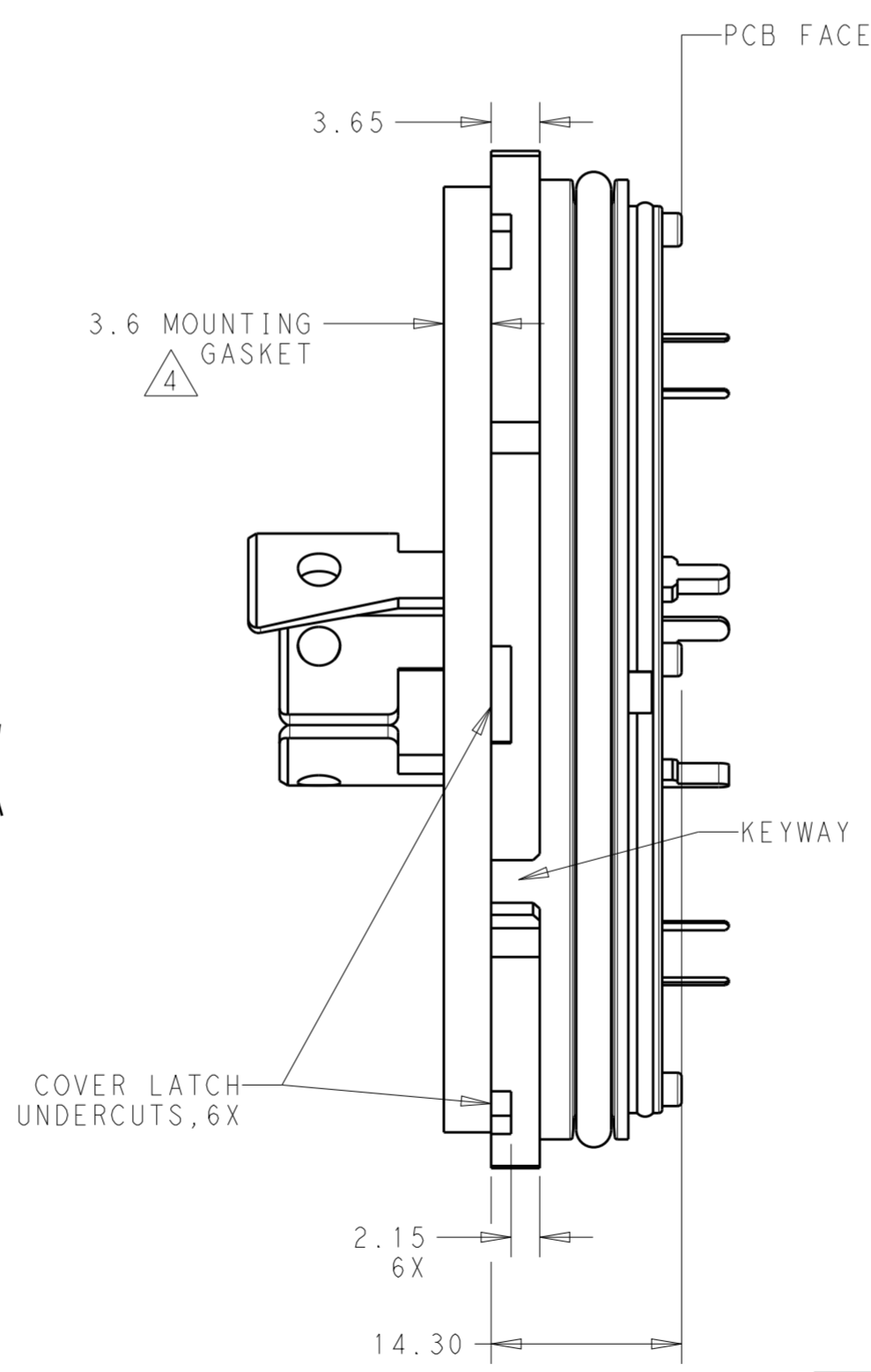
SCALE: 2:1 SHEET: 1 OF 6 REV: B

THIS DRAWING IS UNPUBLISHED. RELEASED FOR PUBLICATION 20
 © COPYRIGHT 20 BY - ALL RIGHTS RESERVED.

REVISIONS				
P	LTR	DESCRIPTION	DATE	APVD
-	-	SEE SHEET 1	-	-



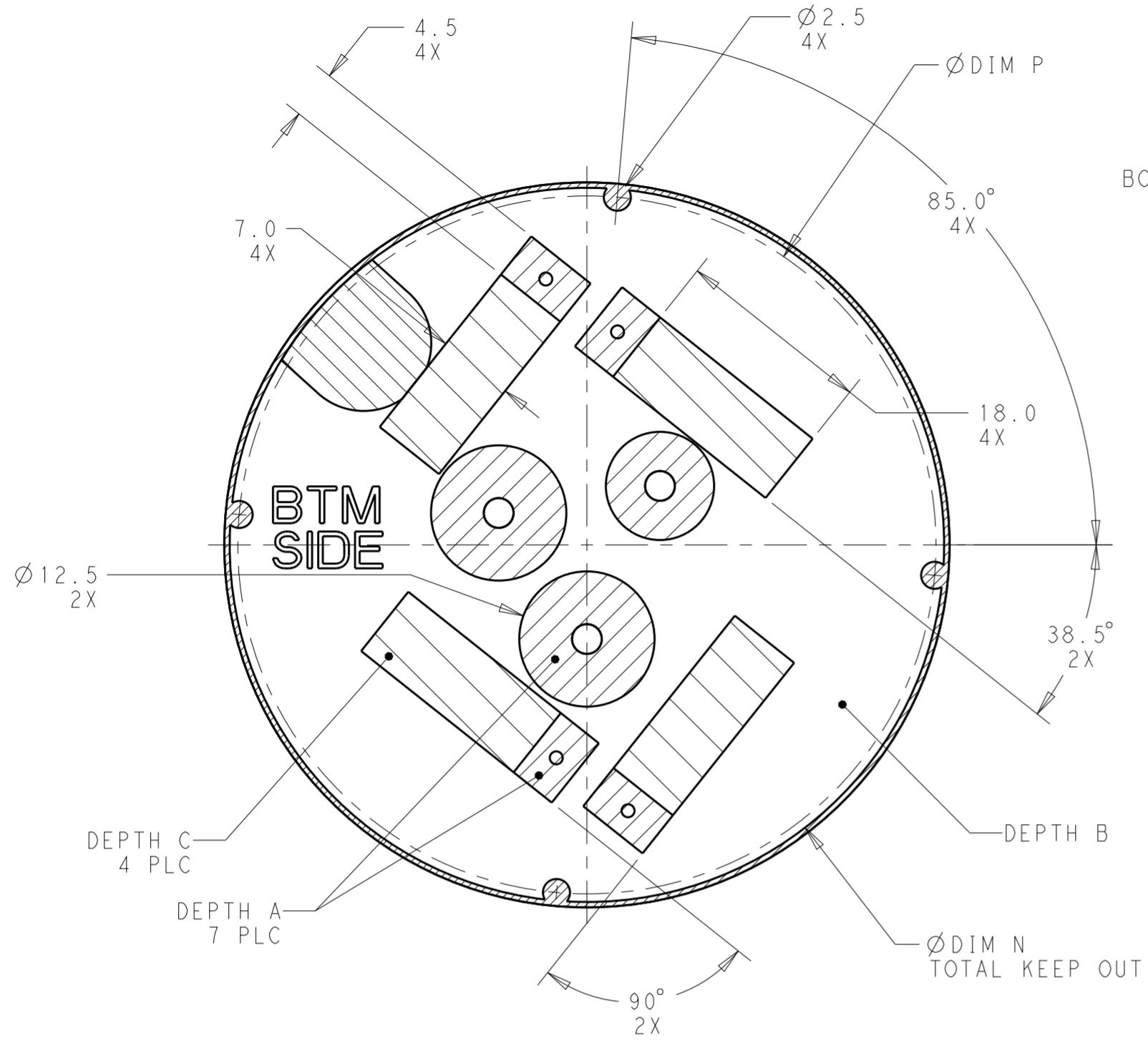
2213817-1 AND 2213871-2 SHOWN



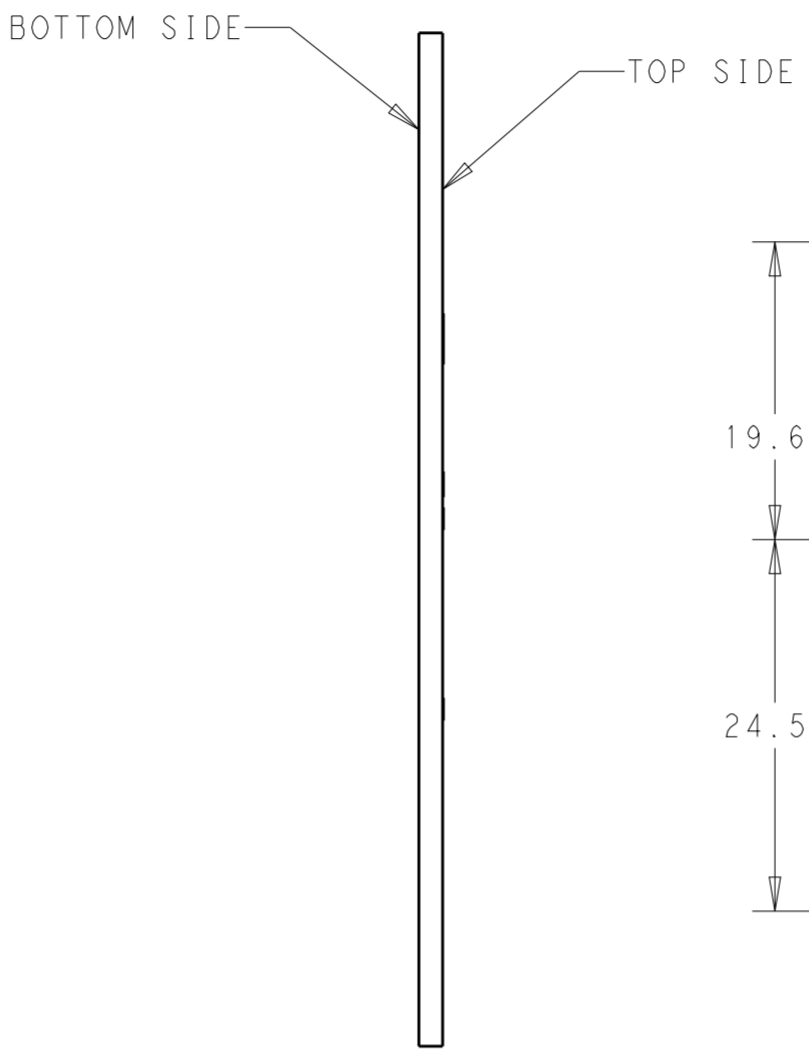
THIS DRAWING IS A CONTROLLED DOCUMENT.		DWN J. SHAFFER 23MAR2016	TE Connectivity	
		CHK E. HOWARD 23MAR2016		
DIMENSIONS: mm		TOLERANCES UNLESS OTHERWISE SPECIFIED: 0 PLC ± 1 PLC ±0.2 2 PLC ±0.13 3 PLC ± 4 PLC ± ANGLES ±3° FINISH -		NAME BASE ASSEMBLY, LIGHT CONTROLLER, SLEEVE COMPATIBLE
MATERIAL -		PRODUCT SPEC 108-32125 APPLICATION SPEC 114-32159 WEIGHT -		SIZE A2 CAGE CODE - DRAWING NO. G-2213871 RESTRICTED TO -
		CUSTOMER DRAWING		SCALE 2:1 SHEET 2 OF 6 REV B

THIS DRAWING IS UNPUBLISHED. RELEASED FOR PUBLICATION 20
 © COPYRIGHT 20 BY - ALL RIGHTS RESERVED.

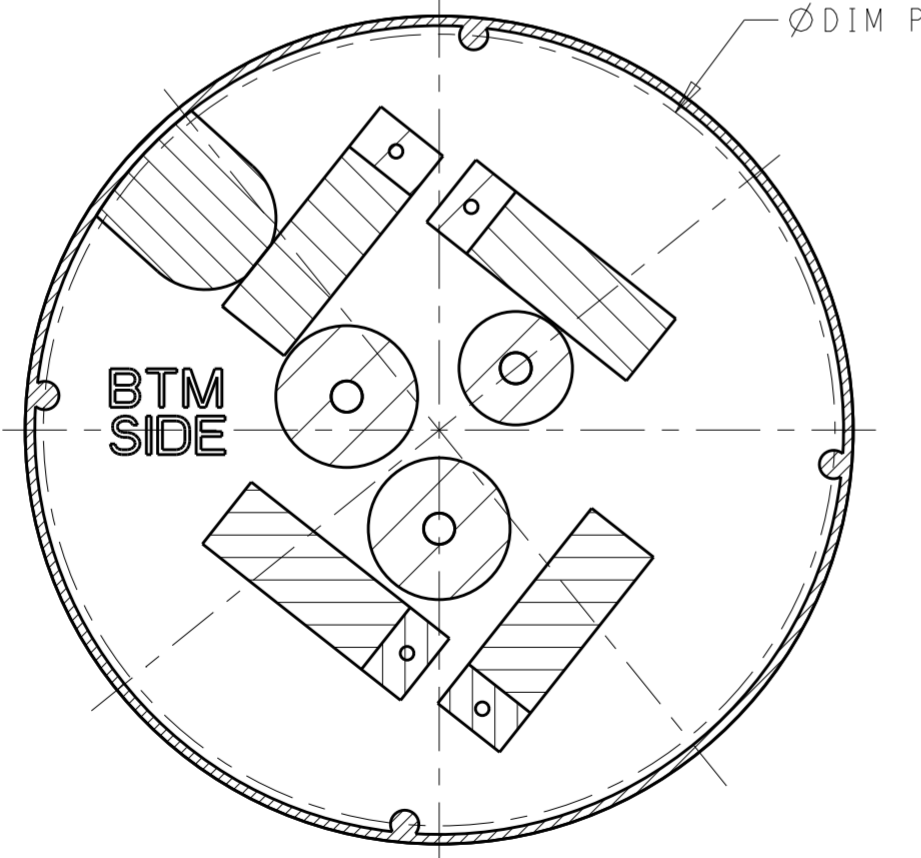
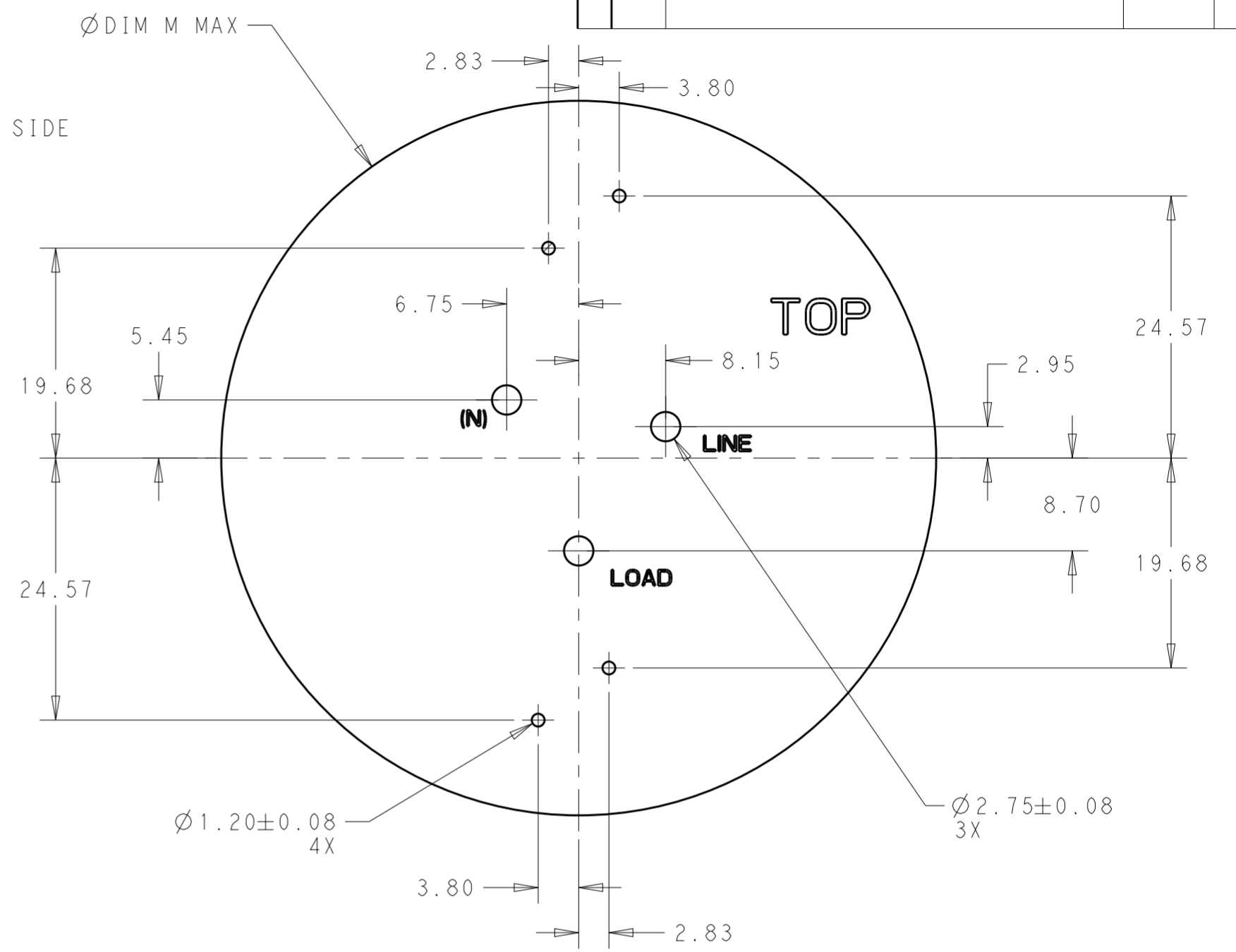
REVISIONS				
P	LTR	DESCRIPTION	DATE	APVD
-	-	SEE SHEET 1	-	-



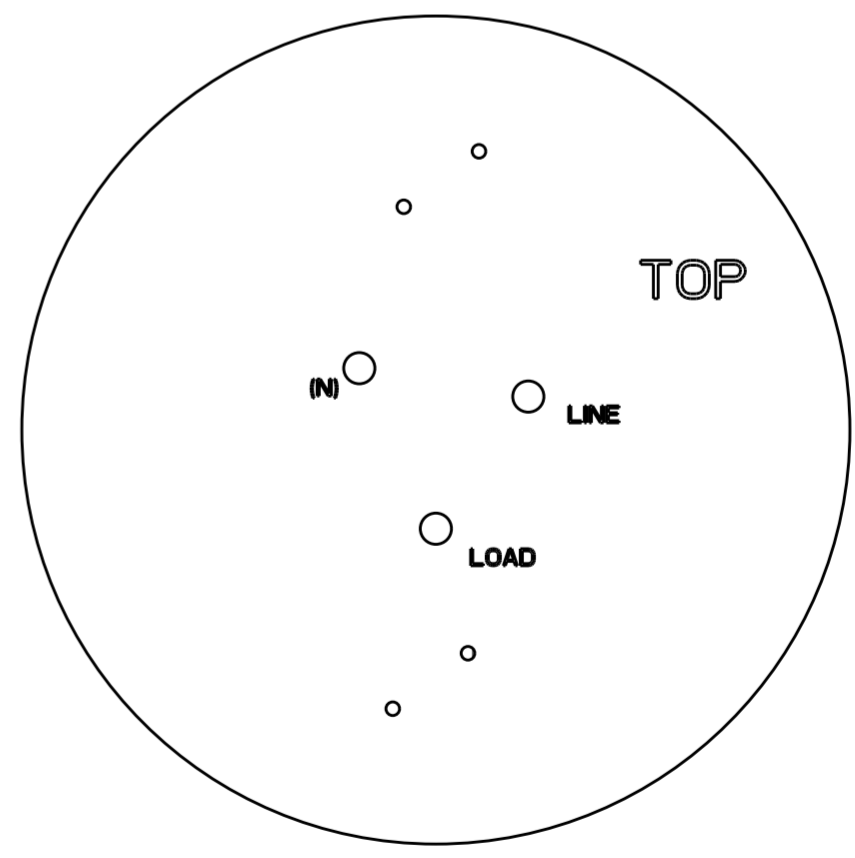
COMPONENT KEEP OUT AREAS
 2213871-1, 2213871-2 AND 2213871-3



RECOMMENDED PCB
 SCALE 2:1



COMPONENT KEEP OUT AREAS
 1-2213871-1 AND 1-2213871-2

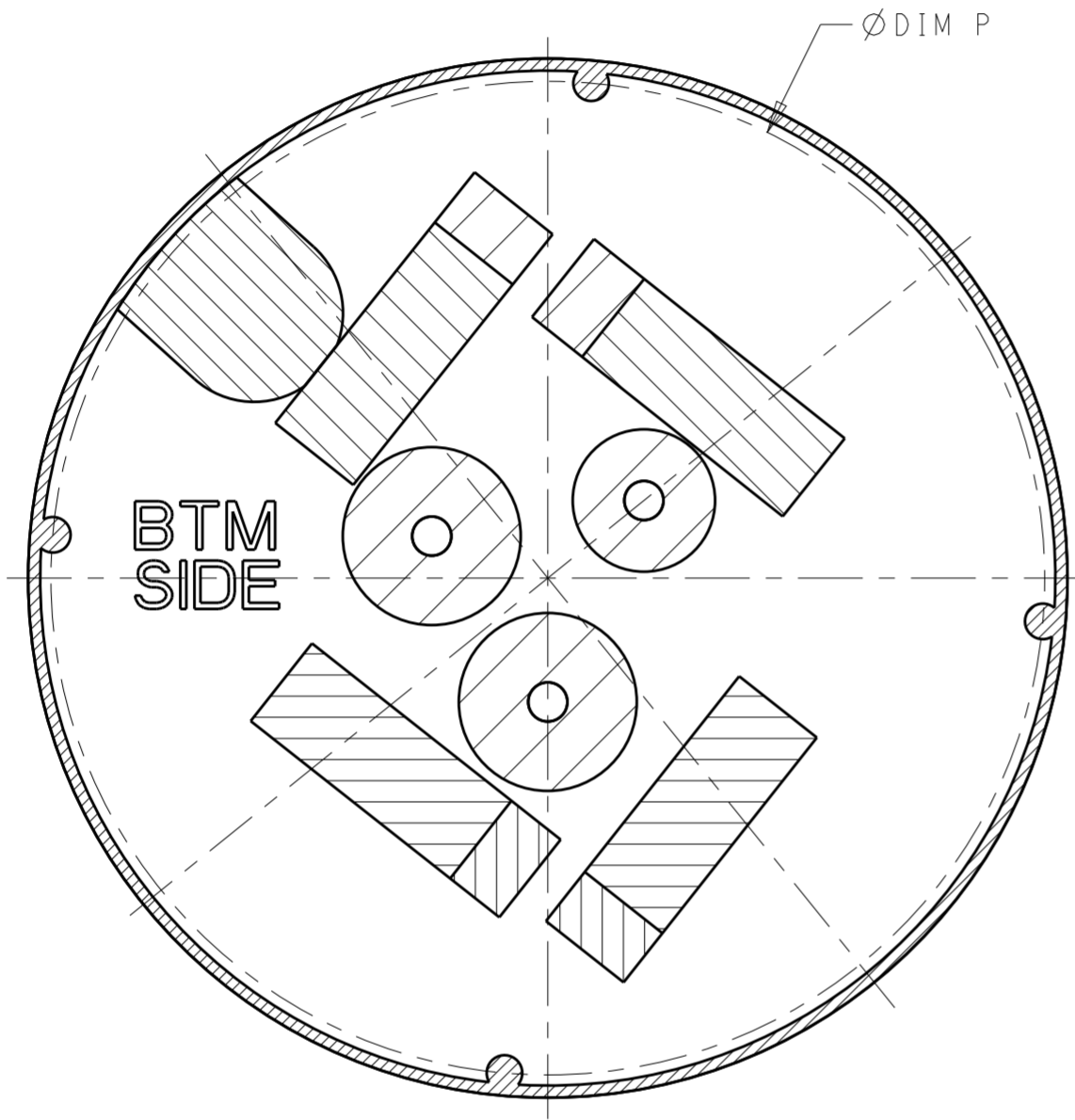


RECOMMENDED PCB
 SCALE 3:2

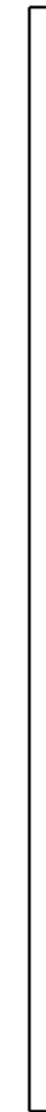
THIS DRAWING IS A CONTROLLED DOCUMENT.		DWN J. SHAFFER 23MAR2016	TE Connectivity	
		CHK E. HOWARD 23MAR2016		
DIMENSIONS:		APVD -	NAME BASE ASSEMBLY, LIGHT CONTROLLER, SLEEVE COMPATIBLE	
mm	TOLERANCES UNLESS OTHERWISE SPECIFIED:	PRODUCT SPEC 108-32125	RESTRICTED TO	
	0 PLC ±	APPLICATION SPEC 114-32159	SIZE A2	CAGE CODE
	1 PLC ±0.2	WEIGHT	DRAWING NO C-2213871	
	2 PLC ±0.13	SCALE 2:1 SHEET 3 OF 6 REV B		
	3 PLC ±	CUSTOMER DRAWING		
	4 PLC ±			
	ANGLES ±3°			
	FINISH			

THIS DRAWING IS UNPUBLISHED. RELEASED FOR PUBLICATION 20
 © COPYRIGHT 20 BY - ALL RIGHTS RESERVED.

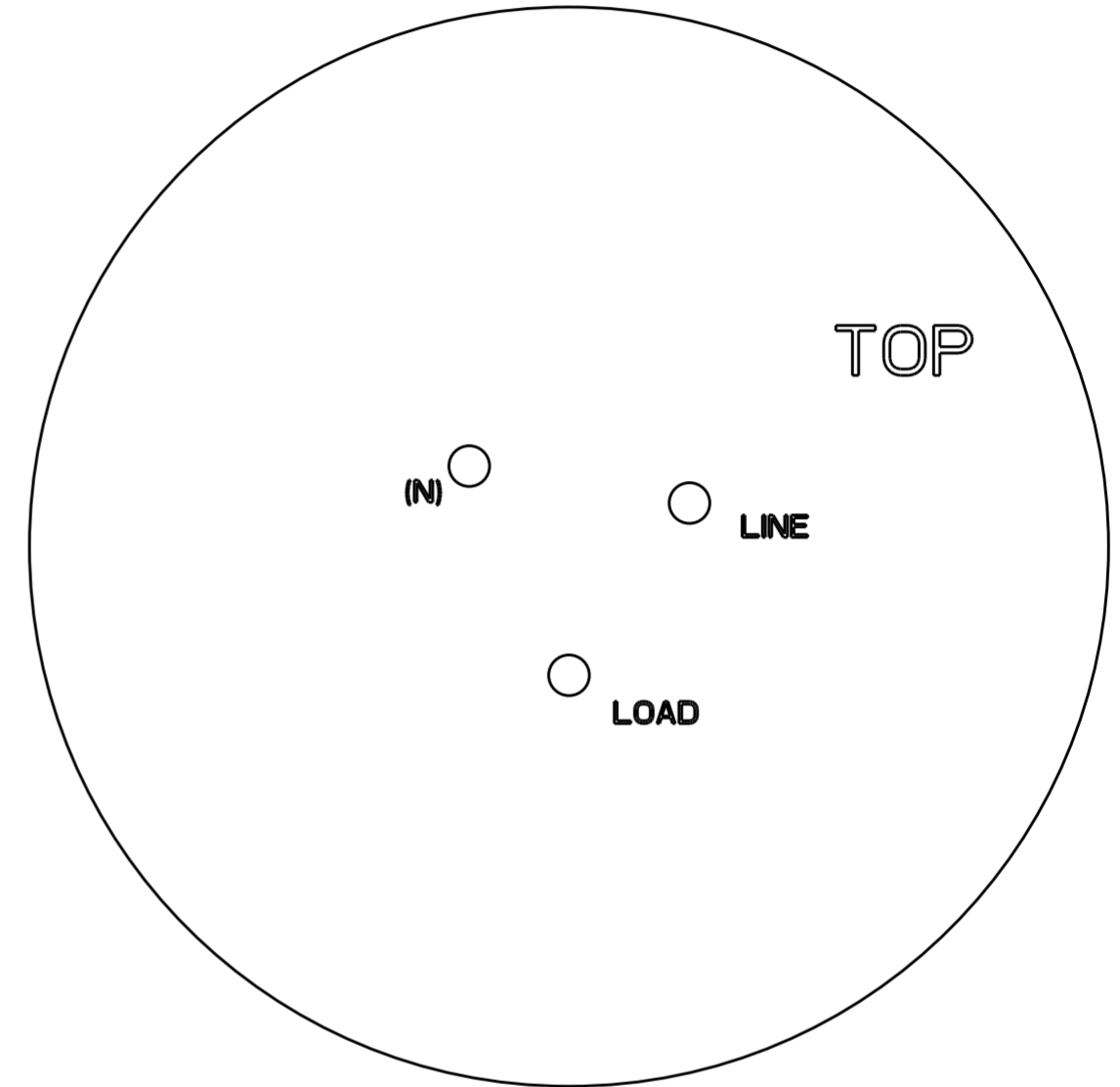
REVISIONS				
P	LTR	DESCRIPTION	DATE	APVD
-		SEE SHEET 1	-	-




COMPONENT KEEP OUT AREAS
 1-2213871-3

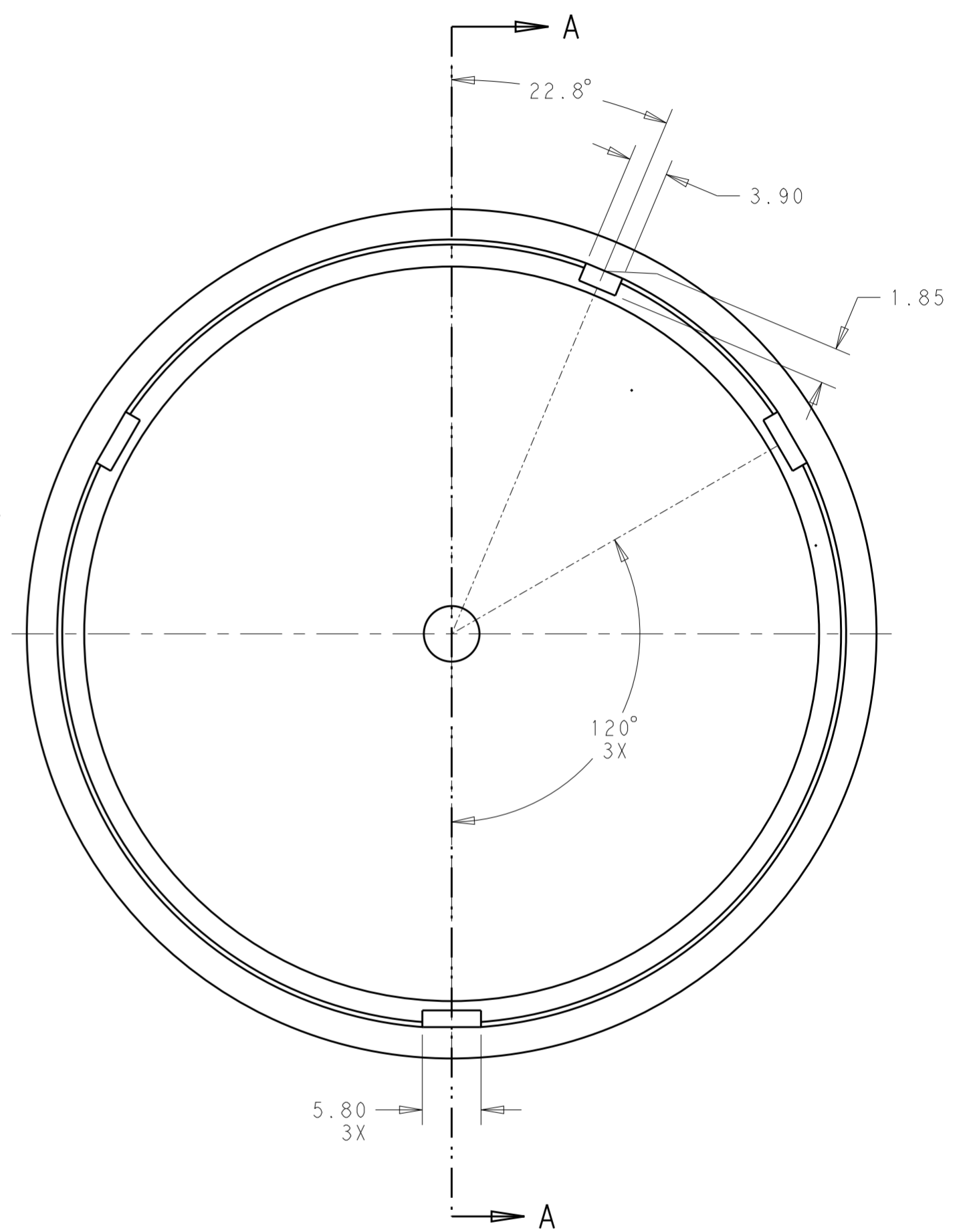
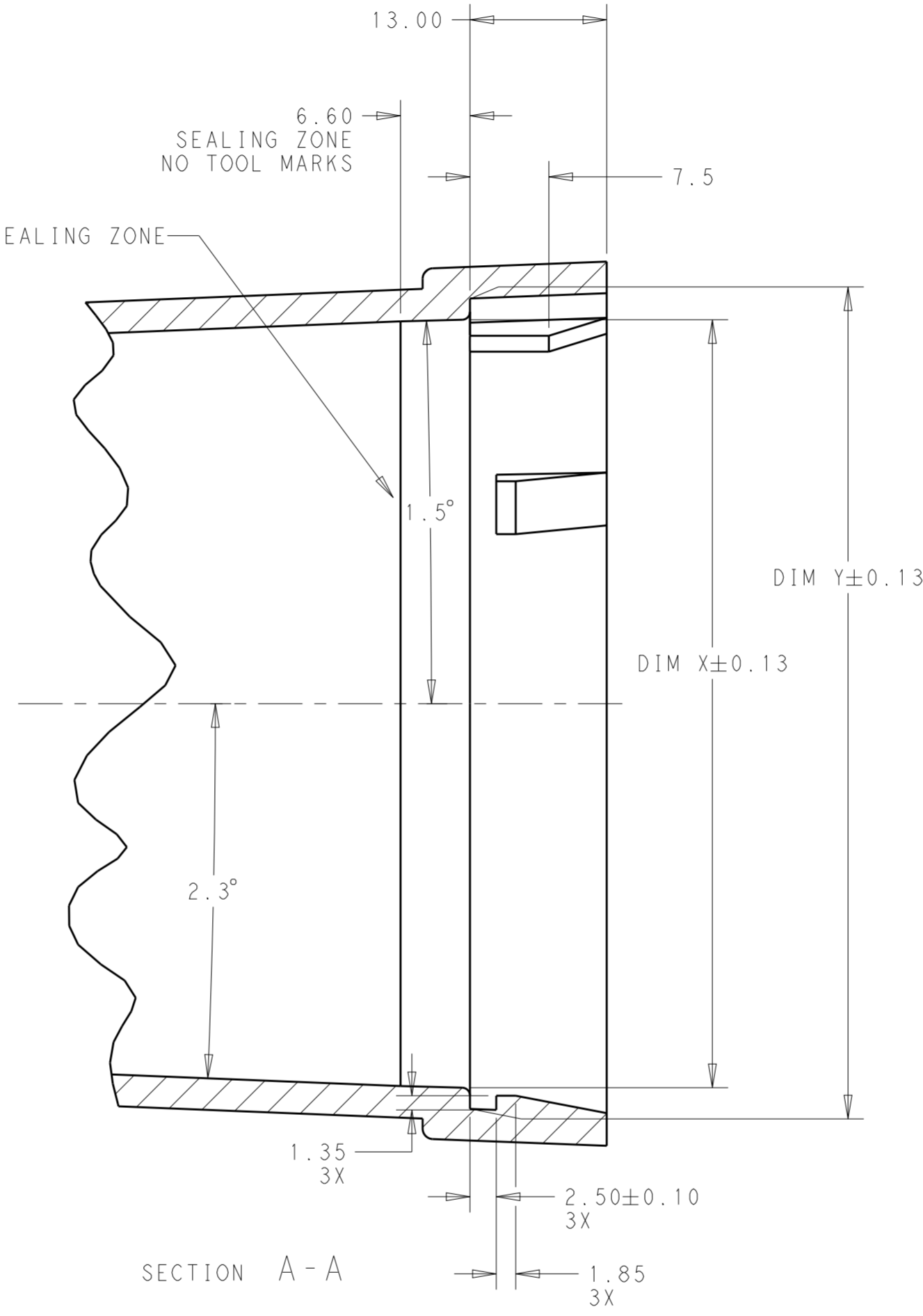
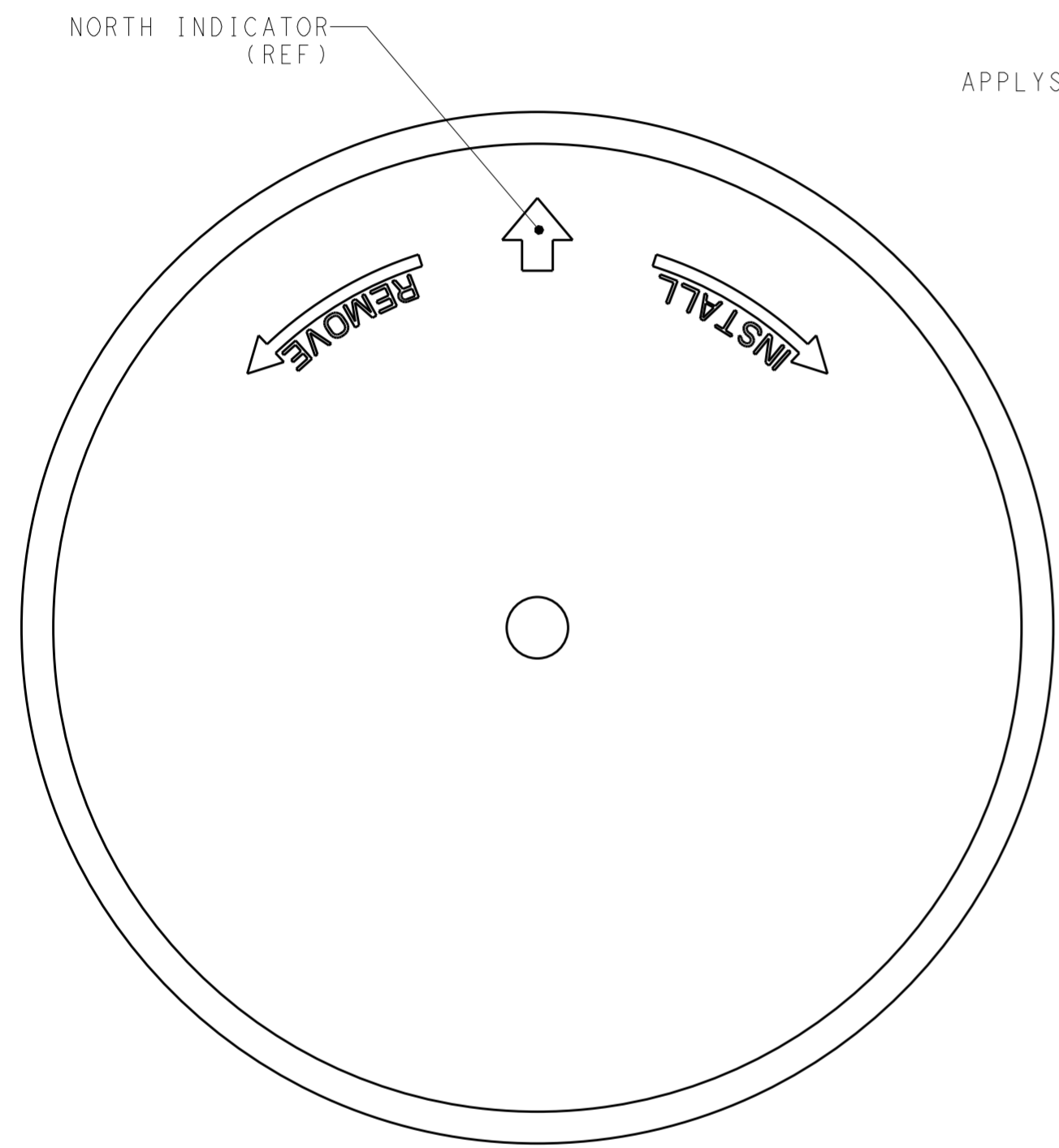


RECOMMENDED PCB
 SCALE 2:1




THIS DRAWING IS A CONTROLLED DOCUMENT.		DWN J. SHAFFER 23MAR2016	 TE Connectivity	
DIMENSIONS: mm		CHK E. HOWARD 23MAR2016		
TOLERANCES UNLESS OTHERWISE SPECIFIED:		APVD -	NAME BASE ASSEMBLY, LIGHT CONTROLLER, SLEEVE COMPATIBLE	
0 PLC ±		PRODUCT SPEC 108-32125	SIZE A2	
1 PLC ±0.2		APPLICATION SPEC 114-32159	CAGE CODE -	
2 PLC ±0.13		WEIGHT	DRAWING NO C-2213871	
3 PLC ±		CUSTOMER DRAWING	RESTRICTED TO -	
4 PLC ±		SCALE 2:1	SHEET 4 OF 6	
ANGLES ±3°			REV B	
FINISH				
MATERIAL				

REVISIONS				
P	LTR	DESCRIPTION	DATE	APVD
-	-	SEE SHEET 1	-	-



MATING COVER DIMENSIONS
 FOR
 76MM DIAMETER BASES
 (2213871-1, 1-2213871-1)

THIS DRAWING IS A CONTROLLED DOCUMENT.		DWN J. SHAFFER 23MAR2016	 TE Connectivity	
DIMENSIONS:		CHK E. HOWARD 23MAR2016		
mm	TOLERANCES UNLESS OTHERWISE SPECIFIED:	APVD -	NAME BASE ASSEMBLY, LIGHT CONTROLLER, SLEEVE COMPATIBLE	
0 PLC	±	PRODUCT SPEC	SIZE A2	
1 PLC	±0.2	108-32125	CAGE CODE -	
2 PLC	±0.13	APPLICATION SPEC	DRAWING NO C-2213871	
3 PLC	±	114-32159	RESTRICTED TO -	
4 PLC	±	WEIGHT	SCALE 2:1	
ANGLES	±3°	CUSTOMER DRAWING	SHEET 5 OF 6	
FINISH	-		REV B	